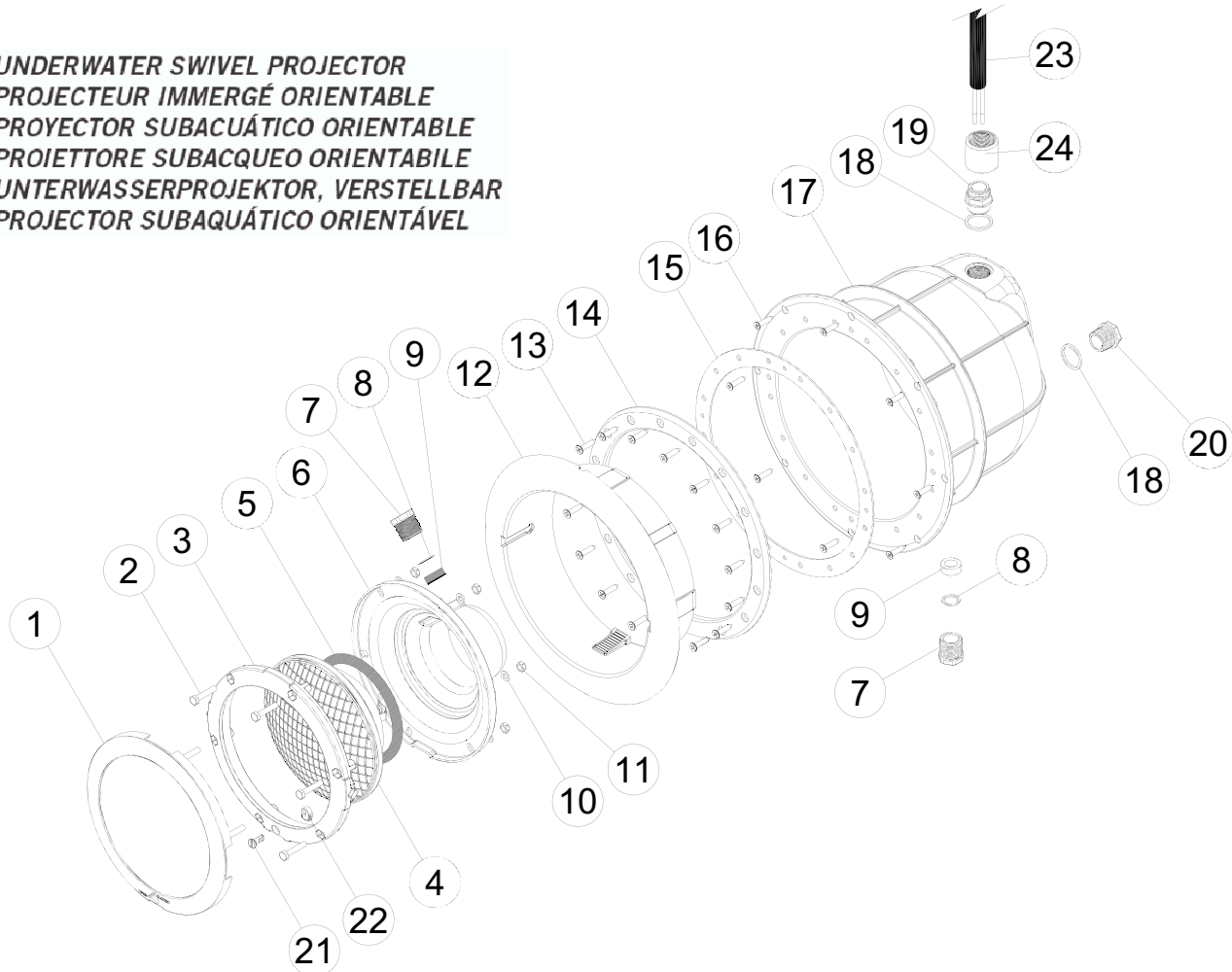


UNDERWATER SWIVEL PROJECTOR
PROJECTEUR IMMERGÉ ORIENTABLE
PROYECTOR SUBACUÁTICO ORIENTABLE
PROIETTORE SUBACQUEO ORIENTABILE
UNTERWASSERPROJEKTOR, VERSTELLBAR
PROJECTOR SUBAQUÁTICO ORIENTÁVEL



ENGLISH

ID.	CODE	DESCRIPTION	Q.	ID.	CODE	DESCRIPTION	Q.
1	33033R0007	Small decorative	1	15	00364R0008	Adhesive joint (1) (2)	1
2	7010106030	DIN 933 A2 M-6x30 screw	6	16	7011548025	DIN 7982 4,8x25 screw (2)	8
3	33033R0003	Fastening ring	1	17	33033R0001	Concrete pool housing	1
4	00370	PAR 56 300W 12V lamp	1	17	33034R0001	Prefabricated pool housing	1
5	7211100110	110x11 O-ring	1	17	33035R0001	Panelled pool housing	1
6	33033R0004	Floodlamp base	1	17	33067R0001	Prefabricated pool housing with insert	1
7	07838R0005	Gland Seal nut	2	17	33068R0001	Panelled pool housing with insert	1
8	00352R0013	20x15x1,5 plastic washer	2	18	07838R0012	Gland seal body butt joint	2
9	07838R0009	Gland seal nut	2	19	07838R0007	Gland seal body	1
10	7011906000	DIN 125 M-6 washer	6	20	07838R0008	Housing plug	1
11	7012106000	DIN 934 A2 M-6 nut	6	21	33033R0005	Screw fastening	1
12	33033R0002	Big decorative	1	22	33033R0006	Screw base	1
13	7011555025	DIN 7982 5,5x25 screw (1) (2)	16	23	06520R0001	H07RN-F 2x6x2,5 m cable	1
13	00274-0004/16	DIN 966 M-6x24 screw (3)	16	24	10892R0404	M-25 Socket	1
14	00364R0009	Housing clamp (1) (2)	1				

(1) Only for models for prefabricated swimming pools

(2) Only for models for panelled swimming pools

(3) Only for models housing with inserts

FRANÇAIS

ID.	CODE	DESCRIPTION	Q.	ID.	CODE	DESCRIPTION	Q.
1	33033R0007	Enjoliveur petit	1	15	00364R0008	Joint adhésif (1) (2)	1
2	7010106030	Vis DIN 933 A2 M-6x30	6	16	7011548025	Vis DIN 7982 4,8x25 (2)	8
3	33033R0003	Anneau fixation	1	17	33033R0001	Niche piscine en béton	1
4	00370	Lampe PAR 56 300W 12V	1	17	22034R0001	Niche piscine préfabriquée	1
5	7211100110	Joint torique 110x11	1	17	33035R0001	Niche piscine panneaux	1
6	33033R0004	Fond projecteur	1	17	33067R0001	Niche piscine préfabriquée avec arrière	1
7	07838R0005	Écrou presse-étoupe	2	17	33068R0001	Niche piscine panneaux avec arrière	1
8	00352R0013	Rondelle plastique 20x15x1,5	2	18	07838R0012	Joint plat corps presse-étoupe	2
9	07838R0009	Joint presse-étoupe	2	19	07838R0007	Corps presse-étoupe	1
10	7011906000	Rondelle DIN 125 M-6	6	20	07838R0008	Bouchon niche	1
11	7012106000	Écrou DIN 934 A2 M-6	6	21	33033R0005	Vis fixation	1
12	33033R0002	Enjoliveur grand	1	22	33033R0006	Base vis	1
13	7011555025	Vis DIN 7982 5,5x25 (1) (2)	16	23	06520R0001	Câble H07RN-F 2x6x2,5 m	1
13	00274-0004/16	Vis DIN 966 M-6x24 (3)	16	24	10892R0404	Raccord M-25	1
14	00364R0009	Bride niche(1) (2)	1				

(1) Uniquement pour les modèles prévus pour les piscines préfabriquées

(2) Uniquement pour les modèles prévus pour les piscines panneaux

(3) Uniquement pour les modèles Niche avec arrière

ESPAÑOL

ID.	CÓDIGO	DESCRIPCIÓN	C	ID.	CÓDIGO	DESCRIPCIÓN	C
1	33033R0007	Embellecedor pequeño	1	15	00364R0008	Junta adhesiva (1) (2)	1
2	7010106030	Tornillo DIN 933 A2 M-6x30	6	16	7011548025	Tornillo DIN 7982 4,8x25 (2)	8
3	33033R0003	Aro fijación	1	17	33033R0001	Nicho piscina hormigón	1
4	00370	Lámpara PAR 56 300W 12V	1	17	33034R0001	Nicho piscina prefabricada	1
5	7211100110	Junta tórica 110x11	1	17	33035R0001	Nicho piscina de paneles	1
6	33033R0004	Fondo proyector	1	17	33067R0001	Nicho piscina prefabricada co insertos	1
7	07838R0005	Tuerca prensaestopas	2	17	33068R0001	Nicho piscina de paneles con insertos	1
8	00352R0013	Arandela plástico 20x15x1,5	2	18	07838R0012	Junta plana cuerpo prensaestopas	2
9	07838R0009	Junta prensaestopas	2	19	07838R0007	Cuerpo prensaestopas	1
10	7011906000	Arandela DIN 125 M-6	6	20	07838R0008	Tapón nicho	1
11	7012106000	Tuerca DIN 934 A2 M-6	6	21	33033R0005	Tornillo fijación	1
12	33033R0002	Embellecedor grande	1	22	33033R0006	Base tornillo	1
13	7011555025	Tornillo DIN 7982 5,5x25 (1) (2)	16	23	06520R0001	Cable H07RN-F 2x6x2,5 m	1
13	00274-0004/16	Tornillo DIN 966 M-6x24 (3)	16	24	10892R0404	Manguito M-25	1
14	00364R0009	Brida nicho (1) (2)	1				

(1) Solo para modelos para piscina prefabricadas

(2) Solo para modelos para piscina de polímeros

(3) Solo para modelos Nicho con insertos

ITALIANO

ID.	CODICE	DESCRIZIONE	Q.	ID.	CODICE	DESCRIZIONE	Q.
1	33033R0007	Ornamentale piccolo	1	15	00364R0008	Guarnizione adesiva (1) (2)	1
2	7010106030	Vite DIN 933 A2 M-6x30	6	16	7011548025	Vite DIN 7982 4,8x25 (2)	8
3	33033R0003	Cerchio fissaggio	1	17	33033R0001	Nicchia piscina in cemento	1
4	00370	Lampada PAR 56 300W 12V	1	17	33034R0001	Nicchia piscina prefabbricata	1
5	7211100110	Guarnizione 110x11	1	17	33035R0001	Nicchia piscina paneli	1
6	33033R0004	Fondo proiettore	1	17	33067R0001	Nicchia piscina prefabbricata con insertis	1
7	07838R0005	Dado premistoppa	2	17	33068R0001	Nicchia piscina paneli con insertis	1
8	00352R0013	Rondella plastica 20x15x1,5	2	18	07838R0012	Guarnizione piatta corpo premistoppa	2
9	07838R0009	Guarnizione premistoppa	2	19	07838R0007	Corpo premistoppa	1
10	7011906000	Rondella DIN 125 M-6	6	20	07838R0008	Coperchio nicchia	1
11	7012106000	Dado DIN 934 A2 M-6	6	21	33033R0005	Vite fissaggio	1
12	33033R0002	Ornamentale grande	1	22	33033R0006	Base vite	1
13	7011555025	Vite DIN 7982 5,5x25 (1) (2)	16	23	06520R0001	Cavo H07RN-F 2x6x2,5 m	1
13	00274-0004/16	Vite DIN 966 M-6x24 (3)	16	24	10892R0404	Manicotto M-25	1
14	00364R0009	Flangia nicchia (1) (2)	1				

(1) Solo per modelli per piscina prefabbricate

(2) Solo per modelli per piscina paneli

(3) Solo per modelli nichhia con insertis

DEUTSCH

ID.	ARTIKEL NR.	BESCHREIBUNG	M.	ID.	ARTIKEL NR.	BESCHREIBUNG	M.
1	33033R0007	Kleines dekorative	1	15	00364R0008	Anhaftende Dichtung (1) (2)	1
2	7010106030	Schraube DIN 933 A2 M-6x30	6	16	7011548025	Schraube DIN 7982 4,8x25 (2)	8
3	33033R0003	Befestigungring	1	17	33033R0001	Nische Swimmingpool aus Beton	1
4	00370	Lampe PAR 56 300W 12V	1	17	33034R0001	Nische Vorgefertigter Swimmingpool	1
5	7211100110	Rundringdichtung 110x11	1	17	33035R0001	Nische Paneelen Swimmingpool	1
6	33033R0004	Strahlerbodens	1	17	33067R0001	Nische Vorgefertigter Swimmingp. Dübel	1
7	07838R0005	Schraube Stopfbuchse	2	17	33068R0001	Nische Paneelen Swimmingp. bei Dübel	1
8	00352R0013	Unterlegscheibe aus Plastik	2	18	07838R0012	Flache Dichtung Stopfbuchsenkörper	2
9	07838R0009	Dichtung Stopfbuchse	2	19	07838R0007	Stopfbuchsenkörper	1
10	7011906000	Unterlegscheibe DIN 125 M-6	6	20	07838R0008	Deckel Nische	1
11	7012106000	Schraube DIN 934 A2 M-6	6	21	33033R0005	Schraube	1
12	33033R0002	Grosses dekorative	1	22	33033R0006	Unterseite Schraube	1
13	7011555025	Schraube DIN 7982 5,5x25 (1)(2)	16	23	06520R0001	Kabel H07RN-F 2x6x2,5 m	1
13	00274-0004/16	Schraube DIN 966 M-6x24 (3)	16	24	10892R0404	Quetschverschraubung M-25	1
14	00364R0009	Klammer der Nische (1) (2)	1				

(1) Nur für Modelle für Fertigschwimmbekken

(2) Nur für Modelle für Paneelen Swimmingpool

(3) Nur für Modelle für Nischenteil bei Dübel

PORTUGUES

ID.	CODIGO	DESCRIÇÃO	C.	ID.	CODIGO	DESCRIÇÃO	C.
1	33033R0007	Decorativo pequeno	1	15	00364R0008	Junta adesiva (1) (2)	1
2	7010106030	Parafuso DIN 933 A2 M-6x30	6	16	7011548025	Parafuso DIN 7982 4,8x25 (2)	8
3	33033R0003	Aro fixação	1	17	33033R0001	Nicho piscina betao	1
4	00370	Lampada PAR 56 300W 12V	1	17	33034R0001	Nicho piscina pré-fabricada	1
5	7211100110	Junta tórica 110x11	1	17	33035R0001	Nicho piscina do paineles	1
6	33033R0004	Fundo projector	1	17	33069R0001	Nicho piscina pré-fabricada com insertos	1
7	07838R0005	Porca prensa-estopas	2	17	33068R0001	Nicho piscina do paineles com insertos	1
8	00352R0013	Anhila plástica 20x15x1,5	2	18	07838R0012	Junta plana corpo prensa-estopas	2
9	07838R0009	Junta prensa-estopas	2	19	07838R0007	Corpo prensa-estopas	1
10	7011906000	Anhila DIN 125 M-6	6	20	07838R0008	Tampao nicho	1
11	7012106000	Porca DIN 934 A2 M-6	6	21	33033R0005	Parafuso fixação	1
12	33033R0002	Decorativo grande	1	22	33033R0006	Base parafuso	1
13	7011555025	Parafuso DIN 7982 5,5x25 (1) (2)	16	23	06520R0001	Cabo H07RN-F 2x6x2,5 m	1
13	00274-0004/16	Parafuso DIN 966 M-6x24 (3)	16	24	10892R0404	Uniao M-25	1
14	00364R0009	Brida nicho (1) (2)	1				

(1) Só para os modelos para piscinas pré-fabricadas

(2) Só para os modelos para piscinas do paineles

(3) Só para os modelos Nicho com insertos