

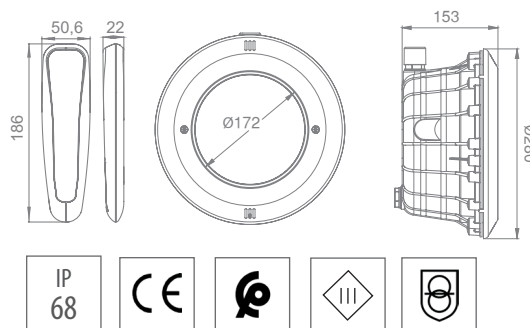
## LUMIPLUS ESSENTIAL KIT

Niche mounted projector. Includes a niche for fiberglass pools.



		70528	70528WW	
A I G	Color	White	Warm white	
	Niche	Fiberglass pool		
	Consumption	14,5 W (20 VA)		
	Luminous flux	1.485 lm		
	Temp. Color	5.700 K	3.000 K	
		75440	75785	75784
A I G	Color	RGB	RGB RC 1100	
	Niche	Fiberglass pool		
	Consumption	22 W (29 VA)		
	Luminous flux	1.100 lm		
	Remote Control	Not included	Included	Not included
	Control	Can be controlled by push-button 32458, LumiPlus Range Extender 64633 + RC1100 remote controller 76290		Works with remote control 75773.

VOLTAGE:	12 V AC
FREQUENCY:	50/60 Hz
SERVICE LIFE:	L70-50,000 h
MAX. WATER TEMPERATURE:	40 °C
MAX. INSTALLATION DEPTH:	2 m
MAXIMUM WATER TREATMENT VALUES:	Chlorine: 2 mg/l Bromine: 5 mg/l Salt chlorinator (NaCl): 6 g/l Pool water pH: 7.2 and 7.6
CABLE:	2.5 m. H07RN-F 2 x 1 mm <sup>2</sup>
MATERIALS:	Polyamide



## PACKAGING AND PALLETIZATION

Volume/Single box (m <sup>3</sup> )	0,015
Weight/Single box (kg)	3,7
Units/Standard box	4
Volume/Standard box (m <sup>3</sup> )	0,069
Weight/Standard box (kg)	16,6
Units/Pallet	35
Volume/Pallet (m <sup>3</sup> )	2.88
Weight/Pallet (kg)	589,56

