

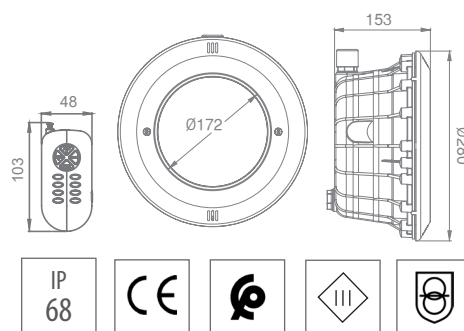


LUMIPLUS ESSENTIAL KIT RGB 900



RGB KIT + RC 900 		Consumption	15 W (23 VA)	
		Luminous flux	900 lm	
CONCRETE POOL 74558		PREFABRICATED POOL 75439	Rated Voltage	12 V AC
			IP68. Must always be installed submerged in water. Works with remote control code 75775 (included).	
RGB KIT 		Consumption	15 W (23 VA)	
		Luminous flux	900 lm	
CONCRETE POOL 75780		PREFABRICATED POOL 75783	Rated Voltage	12 V AC
			IP68. Must always be installed submerged in water. Works with remote control code 75775 (not included).	

VOLTAGE:	12 V AC
FREQUENCY:	50/60 Hz
SERVICE LIFE:	L70-50,000 h
MAX. WATER TEMPERATURE:	30 °C
MAX. INSTALLATION DEPTH:	0,4 m
MAXIMUM WATER TREATMENT VALUES:	Chlorine: 2 mg/l Bromine: 5 mg/l Salt chlorinator (NaCl): 6 g/l Pool water pH: 7.2 and 7.6
MATERIALS:	Polyamide



PACKAGING AND PALLETIZATION

Volume/Single box (m ³)	0,015
Weight/Single box (kg)	3,7
Units/Standard box	4
Volume/Standard box (m ³)	0,069
Weight/Standard box (kg)	16,6
Units/Pallet	35
Volume/Pallet (m ³)	2.88
Weight/Pallet (kg)	589,56

