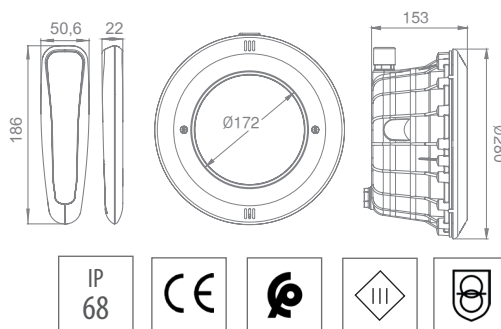


LUMIPLUS ESSENTIAL KIT RGB 1100



RGB KIT+ RC1100lm		Consumption	22 W (29 VA)
		Luminous flux	1.100 lm
CONCRETE POOL 75781	PREFABRICATED POOL 75784	Rated Voltage	12 V AC
		IP68. Must always be installed submerged in water. Works with remote control code 75773 (included).	
RGB KIT		Consumption	22 W (29 VA)
		Luminous flux	1.100 lm
CONCRETE POOL 75782	PREFABRICATED POOL 75785	Rated Voltage	12 V AC
		IP68. Must always be installed submerged in water. Works with remote control code 75773 (not included).	

VOLTAGE:	12 V AC
FREQUENCY:	50/60 Hz
SERVICE LIFE:	L70-50,000 h
MAX. WATER TEMPERATURE:	40 °C
MAX. INSTALLATION DEPTH:	0,4 m
MAXIMUM WATER TREATMENT VALUES:	Chlorine: 2 mg/l Bromine: 5 mg/l Salt chlorinator (NaCl): 6 g/l Pool water pH: 7.2 and 7.6
MATERIALS:	Polyamide



PACKAGING AND PALLETIZATION

Volume/Single box (m ³)	0,015
Weight/Single box (kg)	3,7
Units/Standard box	4
Volume/Standard box (m ³)	0,069
Weight/Standard box (kg)	16,6
Units/Pallet	35
Volume/Pallet (m ³)	2.88
Weight/Pallet (kg)	589,56

