



www.gre.es

- EN** **Instruction Manual**
Take the reference number of your pool into account when you do the assembly
- ES** **Manual de Instrucciones**
Tenga en cuenta la referencia y las medidas de su piscina a la hora de realizar el montaje
- FR** **Manuel d'instructions**
Considérez la référence et les mesures de votre piscine avant de procéder au montage
- DE** **Bedienungsanleitung**
Bitte beachten Sie die Referenz und die Maße Ihres Schwimmbads, wenn Sie die Montage ausführen

- IT** **Manuale delle istruzioni**
Tener presente il riferimento della piscina al momento del montaggio
- NL** **Handleiding met instructies**
Op het moment van monteren dient u rekening te houden met de referentie en de afmetingen van uw zwembad
- PT** **Manual de instruções**
Tenha em conta a referência da piscina momento de realizar a montagem



LILLI:
Ref. 786226 (EG)
Ø 2,95m x H 1,19m

6

- Panels • Paneles • Pans
- Paneelen • Pannelli
- Panelen • Painéis



VAINILLE:
Ref. 783331 (E) (EG)
Ø 4,12m x H 1,19m

6

- Panels • Paneles • Pans
- Paneelen • Pannelli
- Panelen • Painéis



VIOLETTE:
Ref. 783333 (E)
Ø 5,11m x H 1,24m

8

- Panels • Paneles • Pans
- Paneelen • Pannelli
- Panelen • Painéis

EN ATTENTION!

Carefully read this information and keep it for later consultations

Congratulations on your choice. The model you have chosen has been especially designed for simple and rapid installation, but some precaution is necessary for the good use of your pool. Before starting with the installation and assembly of your pool, consider the current local regulation about on ground and in ground pools.

The use of the pool kit includes respecting the safety instructions described in the maintenance manual and instructions for use. If the safety regulations are not respected serious damage for your health and specially for that of children may occur. Carefully read this manual and pay attention to the illustrations before starting to assemble the pool. In the case that the assembly does not follow this manual the guarantee may be rejected in the case of failure.

The information appearing in this installation manual shows exactly how it should be done. Nevertheless, the illustrations in the same are to explain the assembly process. Contractual elements will not be considered regarding the shape, the colours and the aspects shown in the illustrations. Manufacturas Gré in its commitment to ongoing improvement of their products, reserves the right to modify at any time and without previous warning the features, the technical details, the standardized equipment and the options of its products.

ES ¡ATENCIÓN!

Lea detenidamente esta información y guárdela para consultarla posteriormente

Enhorabuena por su elección. El modelo que ha elegido se ha concebido especialmente para una instalación sencilla y rápida, pero son necesarias algunas precauciones para el buen uso de su piscina. Antes de comenzar con la instalación y el montaje de su piscina, infórmese sobre la normativa local vigente en materia de superficie y de implantación.

El uso del kit de piscinas implica el respeto de las instrucciones de seguridad descritas en el manual de mantenimiento y de utilización. Si no se respetan las normas de seguridad se pueden producir graves riesgos para la salud, en especial la de los niños. Lea atentamente este manual y observe las ilustraciones antes de empezar el montaje de su piscina. En caso de que el montaje no guarde conformidad con este manual se expone a un rechazo de la garantía en caso de fallo.

La información que aparece en este manual de instalación se muestra exactamente como se realiza. Sin embargo, las ilustraciones que figuran en el mismo pretenden explicar el proceso de montaje. No se considerarán elementos contractuales en cuanto a las formas, los colores y el aspecto que muestran. En su objetivo constante de mejorar sus productos, Manufacturas Gre se reserva el derecho a modificar en cualquier momento y sin previo aviso las características, los detalles técnicos, los equipamientos estandarizados y las opciones de sus productos.

FR ATTENTION !

A lire attentivement et à conserver pour consultation ultérieure

Félicitations pour votre choix, le modèle que vous avez choisi a été spécialement étudié pour une installation simple et rapide, mais certaines précautions sont nécessaires au bon usage de votre piscine. Avant de commencer l'installation et le montage de votre piscine, renseignez-vous sur les réglementations locales en vigueur, notamment en matière de surface et d'implantation.

L'utilisation d'un kit piscine implique le respect des consignes de sécurité décrites dans la notice d'entretien et d'utilisation. Le non respect des consignes d'entretien peut engendrer des risques graves pour la santé, notamment celle des enfants. Lire entièrement ce manuel et regarder les illustrations avant d'entreprendre l'assemblage de votre piscine. Tout montage non conforme à cette notice vous exposera à un refus de garantie en cas de défaillance.

Les informations figurant dans cette notice de montage s'avéraient exactes lors de sa réalisation. Cependant, les illustrations qui y figurent ont pour objet d'expliquer un processus de montage. Elles ne sauraient être des éléments contractuels quant aux formes, teintes et aspects qu'elles revêtent. Dans le souci constant d'améliorer ses produits, la société Manufacturas Gré se réserve le droit de modifier à tout moment et sans préavis les caractéristiques, détails techniques, équipements standardisés et options de ses produits.

DE ACHTUNG!

Lesen Sie diese Informationen aufmerksam und bewahren Sie sie auf, um später darin nachzuschlagen.

Gefeliciteerd met uw keuze. Het model dat u heeft gekozen is speciaal ontworpen voor een eenvoudige en snelle installatie, maar er zijn wel een aantal voorzorgsmaatregelen nodig voor het juiste gebruik van uw zwembad. Voordat u begint met de installatie en de montage van uw zwembad, informeert u zich over de plaatselijke regelgeving inzake oppervlak en implantatie.

Het gebruik van de zwembadkit impliceert het in acht nemen van de veiligheidsinstructies zoals die zijn beschreven in het onderhouds- en gebruikershandleiding.

Als de veiligheidsvoorschriften niet in acht worden genomen kan dat leiden tot ernstige gezondheidsrisico's, met name voor kinderen.

Lees deze handleiding aandachtig door en bekijk de illustraties goed voordat u begint met de montage van uw zwembad. Indien de montage niet wordt uitgevoerd in overeenstemming met deze handleiding, zal de garantie nietig zijn in het geval een defect. De informatie die in deze installatiehandleiding te vinden is, toont precies hoe u dat doet. De illustraties die daarin worden getoond, zijn echter alleen bedoeld om het montageproces te verhelderen. De vormen, kleuren en de uiterlijke verschijningsvorm die erin worden getoond kunnen niet als contractuele elementen worden beschouwd.

Vanwege het constante streven om hun producten te verbeteren, behoudt het bedrijf Manufacturas Gré zich het recht voor om de kenmerken, technische gegevens, de gestandaardiseerde apparatuur en de mogelijkheden van zijn producten op ieder willekeurig moment en zonder waarschuwing vooraf, aan te passen.

IT ATTENZIONE

Leggere attentamente queste informazioni e e conservarle per farvi riferimento in futuro

Congratulazioni per la tua scelta. Il modello che hai scelto è stato progettato in modo particolare per una installazione semplice e rapida, ma per un uso corretto della piscina sono necessarie alcune precauzioni. Prima di procedere con l'installazione e il montaggio della tua piscina, informati su quanto previsto dal piano regolatore.

L'utilizzo del kit delle piscine implica il rispetto delle istruzioni di sicurezza descritte nel manuale d'uso e manutenzione. Non rispettando le norme di sicurezza si possono produrre gravi rischi per la salute, in particolare quella dei bambini. Leggere attentamente il presente manuale e osservare le illustrazioni prima di iniziare il montaggio della piscina. Nel caso in cui il montaggio non sia conforme a quanto indicato nel presente manuale vi è il rischio che, in caso di un difetto, la garanzia venga rifiutata.

Le informazioni contenute nel presente manuale di installazione mostrano esattamente come procedere. Tuttavia, le illustrazioni presenti nello stesso vogliono spiegare il processo di montaggio. Non sono considerate elementi contrattuali per quanto riguarda la forma, il colore o l'aspetto mostrati. Con l'obiettivo costante di migliorare i suoi prodotti, la società Manufacturas Gré si riserva il diritto di modificare un qualsiasi momento e senza preavviso le caratteristiche, i dettagli tecnici, gli accessori standard e gli optional dei suoi prodotti.

NL LET OP!

Lees deze informatie aandachtig door en bewaar het om het later nog eens terug te kunnen lezen

Gefeliciteerd met uw keuze. Het model dat u heeft gekozen is speciaal ontworpen voor een eenvoudige en snelle installatie, maar er zijn wel een aantal voorzorgsmaatregelen nodig voor het juiste gebruik van uw zwembad. Voordat u begint met de installatie en de montage van uw zwembad, informeert u zich over de plaatselijke regelgeving inzake oppervlak en implantatie.

Het gebruik van de zwembadkit impliceert het in acht nemen van de veiligheidsinstructies zoals die zijn beschreven in het onderhouds- en gebruikershandleiding.

Als de veiligheidsvoorschriften niet in acht worden genomen kan dat leiden tot ernstige gezondheidsrisico's, met name voor kinderen. Lees deze handleiding aandachtig door en bekijk de illustraties goed voordat u begint met de montage van uw zwembad. Indien de montage niet wordt uitgevoerd in overeenstemming met deze handleiding, zal de garantie nietig zijn in het geval een defect.

De informatie die in deze installatiehandleiding te vinden is, toont precies hoe u dat doet. De illustraties die daarin worden getoond, zijn echter alleen bedoeld om het montageproces te verhelderen. De vormen, kleuren en de uiterlijke verschijningsvorm die erin worden getoond kunnen niet als contractuele elementen worden beschouwd. Vanwege het constante streven om hun producten te verbeteren, behoudt het bedrijf Manufacturas Gré zich het recht voor om de kenmerken, technische gegevens, de gestandaardiseerde apparatuur en de mogelijkheden van zijn producten op ieder willekeurig moment en zonder waarschuwing vooraf, aan te passen.

PT ATENÇÃO!

Leia cuidadosamente estas informações e conserve-as para consultas posteriores

Parabéns pela sua escolha. O modelo que escolheu foi concebido especialmente para uma instalação simples e rápida, porém algumas precauções são necessárias para a boa utilização da sua piscina. Antes de começar a instalação e a montagem da sua piscina, informe-se sobre o regulamento local em vigor em matéria de superfície e de implantação.

A utilização do kit de piscinas implica o respeito pelas instruções de segurança descritas no manual de manutenção e de utilização.

Se as normas de segurança não forem respeitadas, poderão ocorrer graves riscos para a saúde, designadamente a das crianças. Leia atentamente este manual e observe as ilustrações antes de começar a montagem da sua piscina. Caso a montagem não esteja conforme este manual, a garantia poderá ser recusada em caso de falha.

A informação que consta deste manual de instalação mostra exatamente como a montagem deve ser realizada. Porém, os desenhos que constam do mesmo pretendem explicar o processo de montagem. As formas, as cores e o aspeto que estes mostram não serão considerados elementos contratuais. No seu objetivo constante de melhorar os seus produtos, a sociedade Manufacturas Gré reserva-se o direito de alterar, a qualquer altura e sem prévio aviso, as características, os detalhes técnicos, os equipamentos padronizados e as opções dos seus produtos.

PICTOGRAMS - PICTOGRAMAS - PICTOGRAMMES - PIKTOGRAMME PITTOGRAMMI - PICTOGRAMMEN - PICTOGRAMAS



Compulsory
Obligatorio
Impératif
Obligatorisch
Obbligatorio
Verplicht
Obrigatório



Attention
Atención
Attention
Achtung
Attenzione
Let op
Atenção



Observation
Observación
A noter
Hinweis
Osservazioni
Opmerking
Observação



Suggestions
Consejo
Conseils
Ratschlag
Consigli
Tips
Conselhos

GUARANTEE

Keep your manual with the serial number and the purchase justification (payment receipt) for any type of reclamation.

Any reclamation against guarantee should be made by an online declaration, via the www.service-gre.com website, together with receipt of purchase.

You may be asked for photographs to justify the claim. No returns of material will be accepted without previous agreement. The client will support all costs of all returns of goods, (packaging and transport).

AFTER VERIFICATION AND CONFIRMATION OF A MANUFACTURING DEFECT

- The products that effectively show defects will be repaired or will be replaced free of transport costs.
- An estimate will be provided for the products not included in the guarantee. After the client has accepted the estimate the parts will be delivered.



The guarantee is limited to the repair or replacement of the defective part. It does not include, under any circumstance, the payment of compensation for harm and damages.

THE GUARANTEE IS NOT APPLICABLE IN THE FOLLOWING SITUATIONS:

- Use of materials that do not comply to our instructions.
- Damages caused by mishandling or an installation not complying with the instructions.

IMPORTANT:

Manufacturas Gré interchanges components in exchange for others to be verified.

If, after the verification no anomaly or dysfunction is detected, Manufacturas Gré reserves the right to invoice the client for the cost for transport and other diverse expenses.

DURATION OF THE GUARANTEE:

- Sylvester pinewood treated with class IV autoclave has a guarantee of 10 years against rot and the attack of insects.
- Liner: 2 years for the seams and water tightness in normal conditions of use. The guarantee does not include: Ripping, tears, breakages, stains (caused by pouring treatment products directly into the water), stains linked to the growth of algae, stains related to the decomposition of foreign bodies in contact with the liner,

stains and decolouring resulting from the action of oxidising products, colour maintenance and wear due to friction of the material over diverse surfaces. Deformation of the liner that has been left without water for 24 hours (never completely empty the pool).

You should keep the label with the serial number of the liner that is on the product and on its packaging. This number and a sample of the liner will be required for any eventual reclamation against the guarantee.

- Stainless steel stepladder: 2 years. In the case of a filtration due to salt electrolysis, the guarantee will not cover the stepladder.
- Filter group: The pump has 2 years guarantee (electrical problem), in normal conditions of use. The guarantee does not cover breakage of parts (pump base/sand deposit, pre-filter cover, multi-directional trap...), wear due to a poor connection, use of the pump without water, wear due to abrasion or corrosion (the filter group should be located in a cool and dry position, kept protected from water splashing).
- Other components: 2 years.

THE FOLLOWING IS NOT INCLUDED IN THE GUARANTEE:

- Cuts in the liner
- The assembly and filter connection
- The assembly
- The filling with water
- Installation of the edges
- The wintering
- Maintenance

AFTER SALES SERVICE IN GUARANTEE: (After justification and receipt of purchase)

- DELIVERY costs will be supported by the client.
- RETURN transport costs will be paid by Manufacturas Gré (for those parts covered by the guarantee plan).
- Changing of wood after visual verification.
- Parts or components from Manufacturas Gré.
- Period for change: 8 business days In the context of replacing a defective component, the disassembly and assembly is not the responsibility of Manufacturas Gré.

AFTER SALES SERVICE WITHOUT GUARANTEE:

- Delivery / return costs will be supported by the client.
- The parts will be invoiced according to the current price list.

Loose parts available for 2 years counting from the product invoicing date.

PROLOGUE

STORAGE PRECAUTIONS

While the pool is disassembled, it is sensitive to variations of temperature and humidity. Therefore, certain precautions should be taken for storage.

When you receive the packets, store the pieces of wood in horizontal position on a flat surface, shielding them from humidity and sunlight to avoid any risk of deformation.

ESSENTIAL:

- Do not store the wood in sunlight, to avoid excessive sags or cracks in the wood.
- Do not store the pool outside protected by a watertight cover, because the condensation emanating from the wood will make it even more humid and will subject to changes of shape.

COMPULSORY:

- Assemble the structure only once.
- Store the wood of your pool on a flat surface, shielding it from humidity and sunlight.
- Remove the protective film so the wood can «breathe».

SAFETY INSTRUCTIONS

The filter kit (filter + pump) should be installed at least 3.5 metres from the pool to avoid the risk of electrocution.

There should be a special differential electricity protection device for pools with electric filter pumps, according to the regulation.

Never leave children without surveillance near the pool.

After each bath, remove the external stepladder to avoid accidental falling into the pool of children or of pets (Regulation EN-P90-317).

This pool is exclusively designed for family use. Walking on the edges or diving or jumping from them is strictly forbidden.

DURATION OF THE INSTALLATION

The installation of this pool needs the intervention of at least two persons and takes two days (besides the preparation of the land and the filling).

BEFORE BUILDING YOUR POOL MAKE SURE

- You have the assistance of a qualified person for the electrical connections.
- There is sufficient water supply to fill the pool.
- That you have carefully read the manual, step by step, to fully understand the installation of your pool.

IN GROUND POOLS AND SPECIFIC REGULATIONS



For on ground pools, we recommend protecting access to the pool by one standardized protection element.

For semi in-ground and fully in ground pools, the French law no. 2003-9 of 3rd January 2003, related to pool safety, as well as French decree no. 2003-1398 of 31st December 2003, related to pool safety, require protecting the pool by at least one element of standardized protection, like:

- Protection fence
- Pool alarm
- Pool cover
- Pool hut

INSTALLATION SUGGESTION

The land should be prepared as indicated in the «installation» chapter of this manual.

DO NOT SITUATE YOUR POOL

- Under overhead electricity cables
- Under branches of trees
- On non-stable land

A good location allows you to save time and avoid limitations. The pool should be in a sunny spot and easily reached.

The location of the pool should be free of tubes or electrical connections.

Take into account that the best is to assemble the pool on a sunny day and avoid high winds.

PACKAGING, CLASSIFICATION AND RECYCLING

- Some pool components are packed in plastic bags. To avoid all risk of asphyxia, never allow babies or children to play with these.
- Thanks for respecting the European Union Laws and collaborating in protecting the environment.

When you have installed your pool and all the components are assembled, we thank you for classifying and recycling all the packaging.

GARANTÍA

Para cualquier reclamación o servicio posventa, guarde su manual con el número de serie junto con el justificante de compra (ticket de caja).

Para cualquier demanda de garantía deberá ponerse en contacto a través de nuestra web www.service-gre.com, junto con el justificante de compra.

Se pueden solicitar fotografías para justificarlo. No se aceptará ninguna devolución de mercancía sin acuerdo previo. El cliente correrá con los costes de todas las devoluciones de mercancía (embalaje y transporte).

TRAS LA VERIFICACIÓN Y LA CONSTATACIÓN DE UN DEFECTO DE FABRICACIÓN.

- Los productos que efectivamente presenten defectos se repararán o se sustituirán con los portes pagados.
- Los productos que estén fuera de garantía se someterán a un presupuesto. Una vez que el cliente haya aceptado el presupuesto se le enviarán las piezas.



La garantía se limita a la reparación o a la sustitución de la pieza defectuosa. No implica en ningún caso una demanda de indemnizaciones o de daños y perjuicios.

NO SE APLICA LA GARANTÍA EN LAS SIGUIENTES SITUACIONES:

- Utilización de materiales no conformes a nuestras instrucciones.
- Daños provocados por una manipulación errónea o de una instalación no conforme.

IMPORTANTE:

La sociedad Manufacturas Gre intercambia componentes a cambio de otros para su peritaje.

Si después del peritaje no se detecta ninguna anomalía o disfunción, la sociedad Manufacturas Gre se reserva el derecho de facturar los costes de portes y otros diversos al cliente.

DURACIÓN DE LA GARANTÍA:

- La madera de pino silvestre tratada en autoclave de clase IV tiene una garantía de 10 años contra la podredumbre y los ataques de insectos.
- Liner: 2 años para las costuras y la estanqueidad en unas condiciones de uso normal. No entran en garantía: Los desgarrones, los rotos, las roturas, las manchas (productos detratamiento directamente en el agua), las manchas vinculadas al crecimiento de algas, las manchas relacionadas con la descomposición de cuerpos extraños en contacto con el liner,

las manchas y las decoloraciones resultantes de la acción de los productos oxidantes, el mantenimiento del color y el desgaste debidos a la ficción del material sobre diversas superficies. La deformación del liner que se ha dejado más de 24 horas sin agua (no vacíe la piscina por completo nunca).

Es obligatorio guardar la etiqueta con el número de serie del liner presente en el producto y en su embalaje. Para cualquier solicitud eventual de asunción de garantía, se exigirá una muestra del liner.

- Escalera inoxidable: 2 años. En caso de una filtración por electrólisis de sal, no se podrá tener en cuenta la garantía de la escalera.
- Grupo de filtración: La bomba tiene una garantía de 2 años (problema eléctrico) en condiciones normales de uso. No entran en garantía: la rotura de piezas (base de la bomba/depósito de arena, cubierta del prefiltro, trampilla multidireccional...) el deterioro debido a una conexión defectuosa, el uso de la bomba en seco, el deterioro por abrasión o por corrosión (el grupo de filtración debe situarse en un lugar fresco y seco, resguardado de salpicaduras de agua).
- Otros componentes: 2 años.

ESTÁN EXCLUIDOS DE LA GARANTÍA:

- Los cortes en el liner
- El montaje y la conexión de la filtración
- El ensamblado
- El llenado de agua
- La colocación de los bordes
- El invernaje
- El mantenimiento

SERVICIO POSVENTA EN GARANTÍA:

(Previa justificación y prueba de compra)

- Portes de ENVÍO por cargo del cliente.
- Portes de RETORNO por cuenta de Manufacturas Gre (para aquellas piezas comprendidas en el esquema de la garantía).
- Cambio de madera previa justificación visual.
- Piezas componentes por cuenta de Manufacturas Gré.
- Plazo de cambio: 8 días laborables. En el contexto de la sustitución de un componente defectuoso, el montaje y el desmontaje nocorren por cuenta de Manufacturas Gre.

SERVICIO POSVENTA SIN GARANTÍA:

- Portes de envío / retorno por cargo del cliente.
- Las piezas se facturarán según nuestras tarifas vigentes.

Piezas sueltas disponibles durante 2 años contados desde la fecha de facturación del producto.

ANTES DEL MONTAJE

PRECAUCIONES DE ALMACENAMIENTO

Mientras la piscina se encuentra desmontada, es sensible a las variaciones de temperatura y de humedad. Por lo tanto, es necesario tomar ciertas precauciones de almacenamiento.

Cuando reciba los paquetes, guarde las piezas de madera en plano, resguardadas de la humedad y de la luz solar para evitar cualquier riesgo de deformación.

IMPRESINDIBLE

- No deje la madera al sol, para evitar que la madera que le se combe o se agriete de forma excesiva.
- No deje el vaso de la piscina expuesto en el exterior o protegido con una lona estanca, porque la condensación que emana de la madera va a humedecerla aún más y la someterá a cambios de forma.

OBLIGATORIO

- Monte la estructura de una sola vez.
- Guarde la madera de su piscina en un lugar plano, resguardada del agua y de la luz solar.
- Retire la película protectora film para que la madera «respire».

INSTRUCCIONES DE SEGURIDAD

Es obligatorio colocar el kit de filtración (filtro + bomba) a una distancia mínima de 3,5 metros de la piscina para evitar el riesgo de descarga eléctrica.

Es obligatorio prever la instalación de un dispositivo de protección diferencial especial para piscinas en la alimentación eléctrica de la bomba, conforme a la normativa.

Nunca deje a los niños sin vigilancia cerca de la piscina.

Después de cada baño, retire la escalera exterior para evitar las caídas accidentales de los niños o de las mascotas con la piscina (Norma EN P90-317).

Esta piscina está destinada a un uso exclusivamente familiar. No está permitido caminar sobre los bordes ni zambullirse o saltar desde ellos.

DURACIÓN DE LA INSTALACIÓN


La instalación de la piscina precisa de la intervención de al menos dos personas y requiere dos días (aparte de la preparación del terreno y el llenado).

ANTES DE LA CONSTRUCCIÓN DE SU PISCINA CERCÍÓRESE

- De la intervención de una persona cualificada para realizar las conexiones eléctricas.

- De que el suministro de agua sea suficiente para llenar la piscina.
- De que ha leído el manual minuciosamente, paso a paso, para comprender bien la instalación de la piscina.

PISCINAS ENTERRADAS Y NORMATIVA ESPECÍFICA

 Para las piscinas en superficie, se recomienda proteger el acceso al vaso por un elemento de protección normalizado.

Para las piscinas semienterradas y completamente enterradas, la ley francesa n° 2003-9 de 3 de enero de 2003 en relativa a la seguridad de las piscinas, así como el decreto francés n° 2003-1389 de 31 de diciembre de 2003 relativo a la seguridad de las piscinas exigen proteger el acceso al vaso por al menos un elemento de protección normalizado, como:

- Barrera de protección
- Alarma de piscina
- Cubierta de piscina
- Refugio de piscina

CONSEJO DE COLOCACIÓN

Debe preparar el terreno como se indica en este manual en el capítulo «instalación».

NO SITÚE SU PISCINA

- Bajo tendidos eléctricos
- Bajo las ramas de árboles
- Sobre un terreno no estabilizado

Un buen emplazamiento le permite ahorrar tiempo y le evita limitaciones. La piscina debe estar en un lugar soleado y fácilmente accesible.

La ubicación de la piscina debe estar libre de tuberías o de conexiones eléctricas.

Tenga en cuenta que es preferible montar la piscina un día soleado y evitar los días de mucho viento.

EMBALAJE, CLASIFICACIÓN Y RECICLAJE

- Algunos componentes de la piscina están embalados en bolsas de plástico. Para evitar todos los riesgos de asfixia, nunca permita que los bebés o los niños jueguen con ellas.
 - Gracias por respetar las normas de la Unión Europea y por colaborar en la protección del medio ambiente.
- Cuando haya instalado su piscina y estén todos los componentes ensamblados, le agradecemos que clasifique y recicle todos los embalajes.

Piezas sueltas disponibles durante 2 años contados desde la fecha de facturación del producto.

GARANTIE


Pour toute réclamation/SAV, conservez votre notice avec le N° de série ainsi que votre preuve d'achat (ticket de caisse).

Toute demande de garantie devra faire l'objet d'une déclaration en ligne sur le site:

www.service-gre.com, accompagnée de la preuve d'achat. Des photos pourront être demandées pour justificatif. Aucun retour de marchandise ne sera accepté sans accord préalable. Tout retour de marchandise est à la charge du client (emballage et transport).

APRES VERIFICATION ET CONSTATATION D'UN DEFAUT DE FABRICATION :

- Les produits effectivement défectueux seront réparés ou échangés et remplacés en port payé.
- Les produits hors-garantie feront l'objet d'un devis. Après acceptation de ce devis par le client, les pièces lui seront expédiées.

 La garantie se limite à la réparation ou au remplacement de la partie défectueuse. Elle n'implique en aucun cas une demande d'indemnités ou de dommages et intérêts.

LA GARANTIE NE S'APPLIQUE PAS DANS LES CAS SUIVANTS :

- Utilisation du matériel non conforme à nos instructions.
- Dommages provoqués par une mauvaise manipulation ou un montage non conforme.

IMPORTANT :

La société Manufacturas Gré effectue des échanges de composants contre reprise pour expertise.

Si, après expertise, aucune anomalie ou dysfonctionnement n'est avéré, la société Manufacturas Gré se réserve le droit de facturer les frais de port et autres frais divers au client.

DURÉE DE LA GARANTIE :

- Le bois pin sylvestre traité autoclave classe IV est garanti 10 ans contre le pourrissement et les attaques d'insectes.
- Le liner : 2 ans sur les soudures et l'étanchéité, dans les conditions d'un usage normal. Ne sont pas garantis : Les accrocs, trous, déchirures, tâches (produits de traitement directement dans l'eau), tâches liées au développement d'algues, tâches liées à la décomposition de corps étrangers en contact avec le liner, tâches et décolorations résultant de l'action de produits oxydants, tenue de couleur et l'usure due au frottement de la matière sur divers

surfaces. Les déformations du liner resté plus de 24h sans eau (ne vidangez jamais complètement votre piscine).

Il est impératif de conserver l'étiquette du numéro de série du liner présent sur le produit et son emballage. Pour toute demande éventuelle de prise en garantie, un échantillon du liner sera demandé.

- L'échelle inox : 2 ans. Dans le cas d'une filtration par électrolyse au sel, la garantie de l'échelle ne pourra être prise en compte.
- Groupe de filtration : La pompe est garantie 2 ans (problème électrique) dans les conditions d'un usage normal. Ne sont pas garantis : la casse des pièces (socle de pompe/cuve à sable, couvercle de pré filtre, vanne multivoies ...), la détérioration due à un branchement défectueux, l'utilisation de la pompe à sec, la détérioration par abrasion ou corrosion (le groupe de filtration doit-être placé dans un local frais et sec, à l'abri des projections d'eau).
- Les autres composants : 2 ans.

SONT EXCLUS DE LA GARANTIE :

- La découpe du liner
- Le collage et branchement de la filtration
- L'assemblage
- La mise en eau
- La pose des margelles
- L'hivernage
- L'entretien

SAV SOUS GARANTIE :

(sur justificatif et preuve d'achat)

- Port ALLER à la charge du client.
- Port RETOUR à la charge de Manufacturas Gré (pour les pièces entrant dans le cadre de la garantie).
- Echange de bois sur justificatifs visuels.
- Pièces ou composants à la charge de Manufacturas Gré.
- Délai d'échange : 8 jours ouvrables. Dans le cadre du remplacement d'un composant défectueux, le montage et le démontage ne sont pas pris en charge par Manufacturas Gré.

SAV HORS GARANTIE :

- Port Aller/Retour à la charge du client.
- Les pièces seront facturées selon notre tarif en vigueur

Pièces détachées disponibles pendant 2 ans à compter de la date de facturation du produit.

AVANT-PROPOS

PRECAUTIONS DE STOCKAGE

Tant que la piscine n'est pas assemblée, elle est sensible aux variations de températures et à l'humidité. Il faut donc prendre certaines précautions de stockage.

Dès réception des colis, veillez à stocker les pièces bois à plat, à l'abri de l'humidité et du soleil afin de leur éviter tout risque de déformation.

IL EST IMPERATIF DE :

- Ne pas laisser le bois au soleil, afin d'éviter que le bois se vrille ou se fende de manière excessive.
- Ne pas laisser le bassin exposé à l'extérieur avec une bâche étanche pour protection, la condensation issue du bois va le rendre encore plus humide, et sujet aux modifications de forme.

VOUS DEVEZ :

- Monter la structure en une seule étape.
- Stocker le bois de votre bassin à plat dans un endroit abrité de l'eau et du soleil.
- Enlever le film de protection pour que le bois « respire ».

CONSIGNES DE SECURITE

Il est impératif de placer votre kit de filtration (filtre + pompe) à au moins 3,5 m. du bassin afin d'éviter tout risque de choc électrique. Il est impératif de prévoir sur l'alimentation électrique de la pompe un dispositif de protection différentiel spécial piscines, conforme aux normes.

Ne jamais laisser les enfants sans surveillance à proximité du bassin.

Après chaque baignade, retirer l'échelle extérieure afin d'éviter la chute accidentelle d'un enfant ou d'un animal domestique dans le bassin (Norme EN P90-317).

Cette piscine est destinée à un usage exclusivement familial, il est interdit de marcher sur les margelles, de plonger ou de sauter depuis le bord de l'eau.

DUREE DE L'INSTALLATION

L'installation de la piscine nécessite l'intervention d'au moins deux personnes et demande deux jours (hors terrassement et mise en eau).

AVANT LA CONSTRUCTION DE VOTRE PISCINE ASSUREZ-VOUS

- De l'intervention d'une personne avertie pour vos branchements électriques.
- Que votre alimentation d'eau soit suffisante pour remplir votre bassin.
- Que le manuel a été lu avec soin, étape par étape, pour bien comprendre l'installation de votre piscine.

BASSINS ENTERRES ET NORME SPECIFIQUE



Pour les bassins hors sol, il est recommandé de sécuriser l'accès au bassin par un élément de protection normalisé.

Pour les bassins semi enterrés et complètement enterrés, la loi n°2003-9 du 3 janvier 2003 relative à la sécurité des piscines, et le décret n°2003-1389 du 31 décembre 2003 relatif à la sécurité des piscines vous imposent de sécuriser l'accès au bassin par au moins un élément de protection normalisé tel que :

- Barrière de protection
- Alarme de piscine
- Couverture de piscine
- Abri de piscine

CONSEIL D'EMPLACEMENT

Vous devez préparer votre terrain comme indiqué dans cette notice au chapitre "implantation"

NE PAS PLACER VOTRE PISCINE

- Sous des fils électriques.
- Sous les branches d'un arbre.
- Sur un terrain non stabilisé.

Un bon emplacement peut vous faire gagner du temps et vous éviter des contraintes. La piscine doit être ensoleillée et facilement accessible.

L'emplacement de la piscine doit être exempt de canalisation ou d'électricité.

Notez qu'il est préférable de monter sa piscine un jour ensoleillé et d'éviter les jours de grand vent.

EMBALLAGE, TRI ET RECYCLAGE

- Certains composants de votre piscine sont emballés sous sacs plastiques. Pour éviter tout risque d'étouffement, ne laissez jamais les bébés et les enfants jouer avec.
- Merci de respecter les réglementations de l'Union Européenne et d'aider à la protection de l'environnement.

Une fois votre piscine et tous ses composants assemblés merci de procéder au tri et au recyclage de tous les emballages.

GARANTIE

Für etwaige Beanstandungen oder Kundendienst bewahren Sie Ihr Handbuch mit der Seriennummer sowie dem Kaufbeleg (Quittung) auf.

Jegliche Garantieansprüche müssen online auf der Webseite www.service-gre.com, zusammen mit dem Kaufbeleg, geltend gemacht werden.

Es können Fotos angefordert werden, um diesen Anspruch zu rechtfertigen. Eine Warenrücknahme ohne vorhergehende Vereinbarung wird nicht akzeptiert. Der Kunde trägt die Kosten für alle Warenrücksendungen (Verpackung und Transport).

NACH PRÜFUNG UND FESTSTELLUNG EINES FABRIKATIONSFEHLERS.

- Produkte, die tatsächlich Fehler aufweisen, werden repariert oder frachtfrei ersetzt.
- Für Produkte, die nicht unter die Garantie fallen, wird ein Kostenvoranschlag erstellt. Sobald der Kunde den Kostenvoranschlag akzeptiert hat, werden ihm die Teile zugeschickt.



Die Garantie ist auf die Reparatur oder den Ersatz des fehlerhaften Teils begrenzt. Sie bedeutet auf keinen Fall eine Schadensersatzforderung.

IN FOLGENDEN FÄLLEN KOMMT DIE GARANTIE NICHT ZUM EINSATZ:

- Einsatz von Material, das nicht unseren Vorgaben entspricht.
- Schäden, die durch unsachgemäße Handhabung oder nicht vorschriftsmäßige Montage verursacht werden.

WICHTIG:

Das Unternehmen Manufacturas Gré tauscht Bauteile gegen andere aus, um ein Gutachten zu erstellen.

Sollte nach Erstellung des Gutachtens keine Abweichung oder Fehlfunktion entdeckt werden, so behält sich das Unternehmen Manufacturas Gré das Recht vor, Transportkosten und sonstige Gebühren dem Kunden in Rechnung zu stellen.

LAUFZEIT DER GARANTIE:

- Das Holz der wilden Kiefer, das im Autoklav der Kategorie IV behandelt wurde, hat eine Garantie von 10 Jahren gegen Fäulnis und Insektenbefall.
- Liner: 2 Jahre auf Nähte und die Wasserfestigkeit unter normalen Nutzungsbedingungen. Folgendes fällt nicht unter die Garantie: Risse, Löcher, Bruchstellen, Flecken (Produkte zur Aufbereitung direkt im Wasser), Flecken aufgrund des Wachstums von Algen, Flecken in Zusammenhang mit der Auflösung von Fremdkörpern in Kontakt mit dem Liner, Flecken und Entfärbungen infolge der Wirkung oxidierender Produkte, der Erhaltung der Farbe und der

Abnutzung aufgrund der Reibung des Materials an verschiedenen Oberflächen, Verformungen des Liners, der länger als 24 Stunden ohne Wasser zurückblieb (leeren Sie den Pool nie vollständig).

Es ist obligatorisch, das Etikett mit der Seriennummer des Liners aufzubewahren, das am Produkt und in der Verpackung klebt. Für etwaige Anträge auf Übernahme der Garantie ist eine Probe des Liners erforderlich.

- Treppe aus rostfreiem Material: 2 Jahre. Bei Filtration durch Salzelektrolyse kann für die Treppe keine Garantie gewährt werden.
- Filteranlage: Die Pumpe hat eine Garantie von 2 Jahren (bei elektrischem Problem) unter normalen Nutzungsbedingungen. Nicht unter die Garantie fallen: das Brechen von Teilen (Sockel der Pumpe/Sandbehälter, Abdeckung des Vorfilters, richtungsunabhängige Klappe, ...), Beschädigung durch fehlerhaften Anschluss, die Nutzung der Pumpe im Trockenen, Beschädigung durch Abnutzung oder Korrosion (die Filteranlage muss an einem frischen und trockenen Ort und vor Wasserspritzern geschützt gestellt werden).
- Andere Bauelemente: 2 Jahre.

VON DER GARANTIE AUSGESCHLOSSEN SIND:

- Schnitte im Liner
- Montage und Anschluss der Filtration
- Zusammenbau
- Die Befüllung mit Wasser
- Die Positionierung der Ränder
- Das Überwintern
- Die Instandhaltung

KUNDENDIENST MIT GARANTIE:

(nach vorheriger Rechtfertigung und mit Kaufnachweis)

- Transportkosten für den VERSAND zu Lasten des Kunden.
- Transportkosten für die RÜCKSENDUNG zu Lasten von Manufacturas Gré (für Teile, die unter die Garantie fallen).
- Austausch von Holz nach visuellen Nachweisen vorab.
- Teile oder Bauteile zu Lasten von Manufacturas Gré.
- Frist für den Austausch: 8 Werkstage. In Zusammenhang mit dem Austausch eines defekten Bauteils gehen Montage und Demontage nicht zu Lasten von Manufacturas Gré.

KUNDENDIENST OHNE GARANTIE:

- Transportkosten für Versand / Rücksendung zu Lasten des Kunden.
- Die Teile werden gemäß unseren geltenden Tarifen in Rechnung gestellt.

Einzelne Teile sind 2 Jahre ab Rechnungsdatum des Produktes erhältlich.

EINLEITUNG

VORKEHRUNGEN FÜR DIE LAGERUNG

Solange der Pool noch nicht zusammengebaut ist, reagiert er empfindlich auf Feuchtigkeit und Temperaturschwankungen. Folglich müssen Sie vor der Lagerung bestimmte Vorsichtsmaßnahmen treffen.

Wenn Sie die Pakete erhalten, bewahren Sie die Holzteile flach auf, geschützt vor Feuchtigkeit und Sonnenlicht, um jegliches Risiko von Verformung zu vermeiden.

WICHTIG:

- Lassen Sie das Holz nicht in der Sonne, um zu vermeiden, dass es sich krümmt oder übermäßig aufspringt.
- Lassen Sie das Becken des Pools nicht im Freien, durch ein wasserdichtes Segeltuch geschützt, denn die Kondensation, die vom Holz ausgeht, wird es noch stärker befeuchten und Veränderungen in der Form hervorrufen.

OBLIGATORISCH:

- Bauen Sie das Tragwerk in einem Schritt auf.
- Bewahren Sie das Holz Ihres Pools eben auf, geschützt vor Wasser und Solarlicht.
- Entfernen Sie den Schutzfilm, damit das Holz „atmen“ kann.

SICHERHEITSHINWEISE

Es ist erforderlich, den Filtrationsbausatz (Filter + Pumpe) in einem Mindestabstand von 3,5 Metern zum Pool zu platzieren, um das Risiko eines Stromschlags zu vermeiden.

Laut Norm ist es vorgeschrieben, die Installation einer speziellen Differenzialschutzvorrichtung für Pools bei der Stromversorgung der Pumpe einzuplanen.

Lassen Sie Kinder nie ohne Aufsicht in die Nähe des Pools.

Entfernen Sie nach jedem Bad die äußere Treppe, um versehentliches Stürzen von Kindern oder Haustieren in den Pool (Richtlinie EN P90-317) zu vermeiden.

Dieser Pool ist ausschließlich für die Nutzung im familiären Rahmen bestimmt. Es ist nicht erlaubt, auf den Ränder zu gehen, von dort zu tauchen oder zu springen.

DAUER DER INSTALLATION

Die Installation des Pools erfordert den Einsatz von mindestens zwei Personen und dauert zwei Tage (neben der Vorbereitung des Geländes und der Befüllung).

VOR DEM AUFBAU IHRES POOLS SORGEN SIE FÜR

- Den Einsatz einer qualifizierten Person für den Anschluss der elektrischen Leitungen.
- Ausreichend Wasserzufuhr, um den Pool zu füllen.
- Lesen Sie das Handbuch genau, Schritt für Schritt, um die Installation des Pools richtig zu verstehen.

IN DIE ERDE EINGELASSENE POOLS UND SPEZIFISCHE NORM



Für Pools an der Oberfläche wird empfohlen, den Zugang zum Becken durch ein standardisiertes Schutzelement zu schützen.

Für teilweise und ganz eingelassene Pools gelten das französische Gesetz Nr. 2003-9 vom 3. Januar 2003 im Hinblick auf die Sicherheit in Pools sowie das französische Dekret Nr. 2003-1389 vom 31. Dezember 2003 zur Sicherheit in Pools, wonach der Zugang zum Becken durch eines der folgenden standardisierten Elemente geschützt sein muss:

- Schutzabsperrung
- Poolalarm
- Abdeckung des Pools
- Poolhütte

EMPFEHLUNG ZUR POSITIONIERUNG

Sie müssen das Gelände so vorbereiten wie in diesem Handbuch im Kapitel „Installation“ dargelegt.

PLATZIEREN SIE IHREN POOL NICHT

- Unter elektrischen Stormleitungen
- Unter Zweigen von Bäumen
- Auf einem nicht stabilisierten Gelände

Ein guter Standort erlaubt Ihnen, Zeit zu sparen und Beschränkungen zu vermeiden. Der Pool sollte an einem sonnigen und leicht zugänglichen Ort sein.

Die Position des Swimmingpools muss frei von Rohren oder elektrischen Anschlüssen sein.

Bitte berücksichtigen Sie, dass sich ein Pool am besten an einem sonnigen Tag aufstellen lässt und Tage mit viel Wind zu vermeiden sind.

VERPACKUNG, KLASSIFIKATION UND WIEDERVERWERTUNG

- Einige Bauteile des Pools sind in Plastikbeuteln verpackt. Um jegliches Risiko von Erstickern zu vermeiden, lassen Sie Babys oder Kinder nie damit spielen.
- Danke, dass Sie die Richtlinien der Europäischen Union beachten und beim Schutz der Umwelt helfen.

Wenn Sie Ihren Pool aufgestellt und alle Bauteile zusammengebaut haben, wären wir Ihnen dankbar, wenn Sie die Verpackungen sortieren und dem Recycling zuführen.

GARANZIA

In caso di reclami o per assistenza post vendita, conservare il manuale con il numero di serie insieme alla prova di acquisto (scontrino).

Qualsiasi richiesta di garanzia deve essere inoltrata on line, tramite la pagina web www.service-gre.com, allegando lo scontrino.

Possono essere richieste fotografie come prova. Non si accetta la restituzione della merce salvo previo accordo. Il cliente si farà carico di tutte le spese di restituzione della merce (imballaggio e trasporto).

DOPO LA VERIFICA E LA CONSTATAZIONE DI UN DIFETTO DI FABBRICAZIONE.

- I prodotti che presentano effettivamente dei difetti saranno riparati o sostituiti con porto pagato.
- I prodotti al di fuori del periodo di garanzia saranno oggetto di preventivo. Dopo l'accettazione del preventivo da parte del cliente, gli saranno inviati i pezzi.



La garanzia si limita alla riparazione o alla sostituzione del pezzo difettoso. Non è contemplata in alcun caso una richiesta di indennizzo o di danni.

LA GARANZIA NON È APPLICATA NEI SEGUENTI CASI:

- Utilizzo del materiale in modo non conforme alle nostre istruzioni
- Danni provocati da una manipolazione errata o da un'installazione non conforme.

IMPORTANTE:

La società Manufacturas Gré cambia un componente a condizione che venga svolta una perizia. Se in seguito alla perizia non viene evidenziata nessuna anomalia o mal funzionamento, la società Manufacturas Gré si riserva il diritto di fatturare al clienti i costi di porto ed eventuali altri.

DURATA DELLA GARANZIA:

- Il legno di pino silvestre trattato in autoclave di classe 4 ha una garanzia di 10 anni, in caso di putredine e attacco di insetti.
- Liner: 2 anni per le giunzioni e la tenuta stagna nelle normali condizioni di uso. La garanzia non comprende: crepe, rotture, altri tipi di cedimento, macchie (prodotti di trattamento direttamente nell'acqua), le macchie legate al crescere di alghe, le macchie dovute alla decomposizione di corpi estranei al contatto con il liner, le macchie e lo scolorimento dovuti all'azione di prodotti ossidanti, mantenimento del colore e usura dovuti all'attrito del materiale con diverse superfici, la deformazione del liner che è

rimasto senza acqua per più di 24 ore (la piscina non deve mai essere svuotata completamente).

È obbligatorio conservare l'etichetta con il numero di serie del liner presente nel prodotto e nel suo imballaggio. Per qualsiasi eventuale domanda di assunzione di garanzia, sarà richiesto di mostrare il liner.

- Scaletta per piscina in acciaio inossidabile: 2 anni. In caso di filtraggio per elettrolisi del sale, non si terrà conto della garanzia delle scale.
- Sistema di filtrazione: La pompa ha una garanzia di 2 anni (problema elettrico) nelle normali condizioni di uso. La garanzia non comprende: la rottura di pezzi (base della pompa/deposito di terra, copertura del pre-filtro, sportello multi direzionale...), il deterioramento dovuto a una connessione difettosa, l'uso della pompa a secco, il deterioramento per abrasione o corrosione (il sistema di filtrazione deve essere collocato in un luogo fresco e asciutto, al riparo da spruzzi d'acqua).
- Altri componenti: 2 anni

SONO ESCLUSI DALLA GARANZIA:

- Tagli nel liner
- Montaggio e connessione della filtrazione
- Il montaggio
- Il riempimento d'acqua
- Il posizionamento dei bordi
- L'invernaggio
- La manutenzione

SERVIZIO POST VENDITA IN GARANZIA (Previa giustificazione e prova di acquisto)

- Trasporto di invio a carico del cliente.
- Trasporto di reso a carico di Manufacturas Gré (per i pezzi compresi nella garanzia).
 - Cambio del legno previa giustificazione visiva.
- Pezzi o componenti a carico di Manufacturas Gré.
- Tempi di sostituzione: 8 giorni lavorativi. Nel caso di sostituzione di un componente difettoso, il montaggio e lo smontaggio non sono a carico di Manufacturas Gré.

SERVIZIO POST VENDITA SENZA GARANZIA:

- Trasporto di invio e di reso a carico del cliente.
- I pezzi saranno fatturati in base alle tariffe vigenti.

I pezzi singoli sono disponibili per 2 anni a partire dalla data di fatturazione del prodotto.

INTRODUZIONE

PRECAUZIONI PER LO STOCCAGGIO

Quando la piscina è smontata, è sensibile alle variazioni di temperatura e di umidità. È quindi necessario adottare alcune precauzioni per lo stoccaggio.

Quando ricevi i prodotti imballati, riponi le parti in legno in orizzontale, al riparo dalla luce solare e dall'umidità per evitare qualsiasi rischio di deformazione.

IMPRESINDIBILE:

- Non lasciare il legno al sole, per evitare che il legno si incurvi o si screpoli in modo eccessivo.
- Non lasciare la piscina esposta all'esterno protetta da un telo a tenuta stagna, perché la condensa prodotta dal legno crea umidità e la potrebbe deformare.

OBBLIGATORIO:

- Montare la struttura in una sola volta.
- Conservare il legno della piscina in orizzontale, al riparo dall'acqua e dalla luce solare.
- Togliere la pellicola protettiva per fare respirare il legno.

ISTRUZIONI DI SICUREZZA

È obbligatorio collocare il kit di filtrazione (filtro + pompa) a una distanza minima di 3,5 metri dalla piscina per evitare il rischio di scariche elettriche.

È obbligatorio prevedere l'installazione di un dispositivo di protezione differenziale speciale per la piscina nell'alimentazione elettrica della pompa, in conformità a quanto previsto dalla legge. Non lasciare i bambini soli nei pressi della piscina.

Dopo ogni bagno, ritirare la scaletta esterna per evitare cadute accidentali dei bambini degli animali domestici nella piscina (Normativa EN P90-317).

Questa piscina è destinata esclusivamente all'uso familiare. Non è permesso camminare sui bordi né tuffarsi o saltare da essi.

DURATA DELL'INSTALLAZIONE

L'installazione della piscina richiede l'intervento di almeno due persone e sono necessari due giorni (escludendo la preparazione del terreno e il riempimento).

PRIMA DELL'INSTALLAZIONE DELLA PISCINA ASSICURARSI CHE:

- le connessioni elettriche siano effettuate da un tecnico qualificato
- l'approvvigionamento idrico sia sufficiente per riempire la

piscina

- aver letto attentamente l'intero manuale, prestando attenzione a tutti i passaggi dell'installazione.

PISCINE INTERRATE E RELATIVE NORME



Le piscine fuori terra devono essere dotate di un sistema di protezione a norma.

Per quanto riguarda le piscine seminterrate o interrate, la legge francese n° 2003-9 del 3 gennaio 2003, relativa alla sicurezza delle piscine, ed anche il decreto legislativo francese n° 2003-1389 del 31 dicembre 2003 relativo alla sicurezza delle piscine rendono obbligatoria la dotazione di un sistema di protezione standard per l'accesso alla vasca, come ad esempio:

- Barriera di protezione
- Allarme della piscina
- Copertura della piscina
- Riparo della piscina

CONSIGLI SUL POSIZIONAMENTO

Preparare il terreno come indicato nel presente manuale nel capitolo «installazione».

NON COLLOCARE LA PISCINA

- Sotto cavi elettrici
- Sotto rami di alberi
- Su un terreno instabile

Un posizionamento corretto fa risparmiare tempo e evita limitazioni. La piscina deve essere in un punto soleggiato e facilmente accessibile.

Lo spazio scelto per la piscina deve essere libero da tubazioni o cavi elettrici.

Si tenga presente che è preferibile montare la piscina in un giorno di sole evitando i giorni con forte vento.

IMBALLAGGIO, CLASSIFICAZIONE E RICICLO

- Alcuni componenti della piscina hanno un imballaggio in plastica. Per evitare il rischio di asfissia, tenere lontano dalla portata dei bambini.
- Grazie per rispettare le norme dell'Unione Europea e per collaborare alla protezione ambientale.

Una volta installata la piscina e aver montato tutti i componenti, ti suggeriamo di dividere e riciclare tutti gli imballaggi.

GARANTIE

Voor iedere claim of after-sales service, uw handleiding met het serienummer tezamen met het aankoopbewijs (factuur, kassabon) gereedhouden.

Elke aanspraak op garantie zal onderwerp zijn van een online declaratie, via de website www.service-gre.com, tezamen met het aankoopbewijs.

Er kunnen foto's worden verlangd ter justificatie. Er worden geen geretourneerde goederen geaccepteerd zonder goedkeuring vooraf. De klant zal verantwoordelijk zijn voor alle kosten bij het retourneren van goederen (verpakking en verzending).

NA VERIFICATIE EN CONTRA-EXPERTISE VAN EEN FABRICAGEFOUT.

- De producten die daadwerkelijk defecten vertonen worden gerepareerd of tegen verzendkosten vervangen
- De producten die buiten de garantie vallen zijn onderhavig aan een raming. Zodra de klant het bedrag heeft geaccepteerd worden de onderdelen verstuurd.



De garantie beperkt zich tot reparatie of vervanging van het defecte onderdeel. In geen geval wordt er een vergoeding gegeven voor geleden schade en ongemakken.

DE GARANTIE IS NIET VAN TOEPASSING IN DE VOLGENDE SITUATIES:

- Gebruik van materialen die niet overeenkomen met onze instructies.
- Schade die is veroorzaakt door verkeerde behandeling of onjuiste installatie.

BELANGRIJK:

Het bedrijf Manufacturas Gré ruilt onderdelen voor andere voor expertise.

Als bij expertise geen afwijking, storing of defect wordt gevonden, behoudt het bedrijf Manufacturas Gré zich het recht voor om de verzend- en andere kosten in rekening te brengen bij de klant.

DUUR VAN DE GARANTIE:

- Het geïmpregneerde hout van de grove den klasse IV heeft een garantie van 10 jaar tegen houtrot en insectenaanvallen.
- Liner: 2 jaar op de naden en waterdichtheid onder normale gebruiksomstandigheden. Uitgesloten van garantie: winkelhaken, gaten, scheuren, vlekken (producten voor directe waterbehandeling), vlekken die ontstaan door algengroei, vlekken die ontstaan door de decompositie van vreemde lichamen die in

contact zijn met de liner, vlekken en verkleuringen ten gevolge van contact met oxidatiemiddelen, kleuronderhoud en slijtage ten gevolge van het vastzetten van het materiaal op verschillende oppervlakken, vervorming van de liner indien deze meer dan 24 uur zonder water heeft gestaan (maak het zwembad nooit helemaal leeg).

Het is verplicht het etiket te bewaren met het serienummer van de liner dat op het product te vinden is en in de verpakking. Bij alle eventuele verzoeken van aanspraak op de garantie, wordt om een monster van de liner gevraagd.

- Roestvrijstalen trap: 2 jaar. In het geval van filtering door elektrolyse van zout, kan geen aanspraak op de garantie van de trap worden gemaakt.
- Filtergroep: De pomp heeft een garantie van 2 jaar (elektrische problemen) bij normale gebruiksomstandigheden. Uitgesloten van garantie: gebroken onderdelen (voet van de pomp/zandreservoir, cover voorfilter, multidirectionele afsluiter,...) schade ten gevolge van defecte verbinding, gebruik maken van de pomp zonder water, schade als gevolg van slijtage of corrosie (de filtergroep moet zich bevinden op een koele droge plaats, beschermd tegen opspattend water,).
- Andere onderdelen: 2 jaar.

UITGESLOTEN VAN DE GARANTIE:

- De afsnijdingen in de liner
- De montage en de aansluiting van de filtering
- De montage
- Het vullen met water
- De plaatsing van de randen
- Winterklaar maken
- Het onderhoud

AFTER SALES SERVICE MET GARANTIE:

(Na rechtvaardiging vooraf en met bewijs van aankoop)

- Porto voor VERZENDEN op kosten van de klant.
- Porto voor RETOURNEREN op kosten van Manufacturas Gré (voor die onderdelen die onder het garantieschema vallen).
- Ruilen van houten delen na voorafgaande visuele rechtvaardiging.
- Componenten of onderdelen voor rekening van Manufacturas Gré.
- Inruiltermijn: 8 werkdagen. Binnen de context van de vervanging van een defect component, geschied het monteren en demonteren niet op rekening van Manufacturas Gré.

AFTER SALES SERVICE ZONDER GARANTIE:

- Porto voor verzenden / retourneren op kosten van de klant.
- Onderdelen worden gefactureerd volgens de geldende tarieven.

Losse onderdelen die gedurende 2 jaar verkrijgbaar zijn gerekend vanaf de aankoopdatum van het product.

WOORWOORD

VOORSCHRIFTEN VOOR OPSLAG

Zolang het zwembad niet is gemonteerd, is het gevoelig voor temperatuurschommelingen en vocht. Daarom is het nodig om een aantal voorzorgsmaatregelen te nemen bij opslag.

Wanneer u de pakketten ontvangt, moet u de houten delen vlak bewaren, beschermd tegen vocht en zonlicht om alle risico's op vervorming te voorkomen.

VAN HET GROOTSTE BELANG:

- Laat het hout niet in de zon liggen, om te voorkomen dat het hout kromtrekt of overmatig scheurt.
- Het bassin buiten niet afdekken met een waterdicht zeil als bescherming, omdat de condensatie die door het hout wordt uitgewasemd het nog natter zal maken en daardoor krijgt het te lijden onder vormveranderingen.

VERPLICHT:

- De structuur in één enkele keer in elkaar zetten.
- Bewaar het hout van uw zwembad op een vlakke plek, beschermd tegen water en zonlicht.
- Verwijder de beschermfolie zodat het hout kan «ademen».

VEILIGHEIDSINSTRUCTIES

Het is verplicht om de filterkit (filter + pomp) op een minimum afstand van 3,5 meter van het zwembad te plaatsen om het risico van elektrische ontlading te vermijden.

Het is verplicht de elektrische voeding van de pomp te voorzien van een lekkagebeveiliging speciaal voor zwembaden, in overeenstemming met de voorschriften.

Laat kinderen nooit zonder toezicht in de buurt van het zwembad komen.

Na ieder bad, de buitentrap weghalen om te voorkomen dat er per ongeluk kinderen of huisdieren in het zwembad vallen (Norm EN P90-317).

Dit zwembad is uitsluitend bedoeld voor familiegebruik. Het is niet toegestaan om over de randen te lopen noch om er vanaf te duiken of te springen.

DUUR VAN DE INSTALLATIE

Voor de installatie van het zwembad zijn er tenminste twee personen nodig en het werk bedraagt twee dagen (los van de voorbereiding van het terrein en het vullen).

VOOR DE CONSTRUCTIE VAN UW ZWEMBAD VERZEKER U ERVAN

- Dat er een gekwalificeerde persoon is die de elektrische verbindingen kan aanleggen.
- Dat de toevoer van water voldoende is om het zwembad te vullen.
- Dat de handleiding zorgvuldig heeft gelezen, stap voor stap, zodat u de installatie van het zwembad precies begrijpt.

VERZONKEN ZWEMBADEN EN SPECIFIEKE REGELGEVING



Voor zwembaden boven de grond, wordt aangeraden de toegang tot het bassin te beveiligen met een standaard beschermingselement.

Voor half-verzonken en geheel verzonken zwembaden, vereist de Franse wet n° 2003-9 van 3 januari 2003 met betrekking tot de veiligheid van zwembaden, evenals het Franse decreet n° 2003-1389 van 31 december 2003 met betrekking tot de veiligheid van zwembaden, dat de toegang tot het bassin door tenminste een standaard beschermingselement moet worden beveiligd, zoals:

- Beveiligingsbarrière
- Zwembadalarm
- Zwembadovertrek
- Zwembadovertrek

AANBEVELING VOOR PLAATSING

U moet het terrein voorbereiden zoals aangegeven in deze handleiding in het hoofdstuk «installatie».

PLAATS UW ZWEMBAD NIET

- Onder elektriciteitsdraden
- Onder de takken van bomen
- Op een niet gestabiliseerd terrein

Een goede plaatsing zorgt ervoor dat u tijd bespaart en voorkomt beperkingen. Het zwembad moet op een zonnige, makkelijk toegankelijke plaats zijn.

De plaats van het zwembad moet vrij zijn van leidingen of elektrische verbindingen.

Hou er rekening mee dat het beter is om het zwembad op een zonnige dag te monteren en vermijd dagen waarop het hard waait.

VERPAKKING, AFVALSCHEIDING EN RECYCLING

- Enkele componenten van het zwembad zijn verpakt in plastic zakjes. Om verstikkingsgevaar te voorkomen, nooit toestaan dat baby's of kleine kinderen ermee kunnen spelen.
- Dank u voor het respecteren van de normen van de Europese Unie en voor het meewerken aan de bescherming van het milieu.

Wanneer uw zwembad eenmaal is geïnstalleerd en alle componenten gemonteerd zijn, zouden we het op prijs stellen dat u het overgebleven afval scheidt en het verpakkingsmateriaal voor recycling inlevert.

GARANTIA

Para qualquer reclamação ou serviço pós-venda, conserve o seu manual com o número de série, juntamente com o comprovativo de compra (ticket de caixa).

Qualquer reclamação de garantia deverá ser objeto de uma declaração online, no site www.service-gre.com, juntamente com o comprovativo de compra.

Podem ser requeridas fotografias para justificá-lo. Não será aceite nenhuma devolução de mercadoria sem acordo prévio. O cliente assumirá os custos de todas as devoluções de mercadoria (embalagem e transporte).

APÓS A VERIFICAÇÃO E A CONSTATAÇÃO DE UM DEFEITO DE FABRICO.

- Os produtos que efetivamente apresentem defeitos serão reparados ou substituídos com os portes pagos.
- Os produtos que estejam fora de garantia serão submetidos a um orçamento. Quando o cliente tiver aceitado o orçamento, as peças ser-lhe-ão enviadas.



A garantia limita-se à reparação ou à substituição da peça defeituosa. Em nenhum caso, implicará uma ação de indemnização ou de perdas e danos.

A GARANTIA NÃO SERÁ APLICADA NAS SITUAÇÕES SEGUINTE:

- Utilização de materiais não conformes às nossas instruções.
- Danos causados por um manuseamento errado ou por uma instalação não conforme.

IMPORTANTE:

A sociedade Manufacturas Gré substitui componentes em troca de outros para a sua peritagem.

Se depois da peritagem não for detetada qualquer anomalia ou disfunção, a sociedade Manufacturas Gré reservar-se-á o direito de faturar os custos de portes e outros diversos ao cliente.

DURAÇÃO DA GARANTIA:

- A madeira de pinheiro-silvestre tratada em autoclave de classe IV tem uma garantia de 10 anos contra a podridão e os ataques de insetos.
- Liner: 2 anos para as costuras e a estanqueidade numas condições de uso normal. Não entram na garantia: os rasgões, os buracos, as roturas, as manchas (produtos de tratamento diretamente na água), as manchas vinculadas ao crescimento de algas, as manchas relacionadas com a decomposição de corpos estranhos em contacto com o liner, as manchas e as decolorações

resultantes da ação dos produtos oxidantes, a manutenção da cor e o desgaste devidos à fricção do material sobre diversas superfícies, a deformação do liner que foi deixado mais de 24 horas sem água (nunca esvazie a piscina por completo).

É obrigatório guardar a etiqueta com o número de série do liner presente no produto e na sua embalagem. Para qualquer eventual requerimento de concessão de garantia, uma amostra do liner será exigida.

- Escada inoxidável: 2 anos. Em caso de uma filtração por eletrólise de sal, a garantia da escada não poderá ser tida em conta.
- Grupo de filtração: a bomba tem uma garantia de 2 anos (problema elétrico) em condições normais de utilização. Não entram na garantia: a rotura de peças (base da bomba/depósito de areia, cobertura do pré-filtro, válvula multidirecional...), a deterioração devida a uma conexão defeituosa, o uso da bomba a seco, a deterioração por abrasão ou por corrosão (o grupo de filtração deve ser colocado num local fresco e seco, resguardado de salpicos de água).
- Outros componentes: 2 anos.

SÃO EXCLUÍDOS DA GARANTIA:

- Os cortes no liner
- A montagem e a conexão da filtração
- A ensabladura
- O enchimento de água
- A colocação dos bordos
- A hibernação
- A manutenção

SERVIÇO PÓS-VENDA EM GARANTIA: (Após comprovação e prova de compra)

- Portes de ENVIO a cargo do cliente.
- Portes de RETORNO por conta da Manufacturas Gré (para aquelas peças abrangidas no esquema da garantia).
- Mudança de madeira após comprovação visual.
- Peças ou componentes por conta da Manufacturas Gré.
- Prazo de substituição: 8 dias úteis. No contexto da substituição de um componente defeituoso, a montagem e a desmontagem não correm por conta da Manufacturas Gré.

SERVIÇO PÓS-VENDA SEM GARANTIA:

- Portes de envio / retorno a cargo do cliente.
- As peças serão faturadas de acordo com o nosso tarifário em vigor.

Peças avulsas disponíveis durante 2 anos a contar da data de faturação do produto.

PRELIMINAR

PRECAUÇÕES DE ARMAZENAMENTO

Enquanto a piscina se encontra desmontada, é sensível às variações de temperatura e de humidade. Portanto, é necessário tomar certas precauções de armazenamento.

Quando receba as embalagens, guarde as peças de madeira em plano, resguardadas da humidade e da luz solar para evitar qualquer risco de deformação.

IMPRESINDÍVEL:

- Não deixe a madeira ao sol, a fim de evitar que a madeira empene ou rache de forma excessiva.
- Não deixe o tanque da piscina exposto no exterior protegido com uma lona estanque, porque a condensação que emana da madeira vai humedecê-la ainda mais e a submeterá a alterações de forma.

OBRIGATÓRIO:

- Monte a estrutura de uma só vez.
- Guarde a madeira da sua piscina num local plano, resguardada da água e da luz solar.
- Retire a película protetora para que a madeira «respire».

INSTRUÇÕES DE SEGURANÇA

É obrigatório colocar o kit de filtração (filtro + bomba) a uma distância mínima de 3,5 metros da piscina para evitar o risco de descarga elétrica.

É obrigatório prever a instalação de um dispositivo de proteção diferencial especial para piscinas na alimentação elétrica da bomba, nos termos do regulamento.

Nunca deixe as crianças sem vigilância perto da piscina.

Depois de cada banho, retire a escada exterior visando evitar as quedas acidentais à piscina das crianças ou dos animais de estimação (Norma EN P90-317).

Esta piscina está destinada a uma utilização exclusivamente familiar. Não é permitido caminhar sobre os bordos nem mergulhar ou saltar a partir deles.

DURAÇÃO DA INSTALAÇÃO

A instalação da piscina precisa da intervenção de pelo menos duas pessoas e demora dois dias (para além da preparação do terreno e do enchimento).

ANTES DA CONSTRUÇÃO DA PISCINA CERTIFIQUE-SE

- De que é uma pessoa qualificada quem efetua as ligações elétricas.

- De que o fornecimento de água é suficiente para encher a piscina.
- De que leu o manual minuciosamente, passo a passo, para compreender adequadamente a instalação da piscina.

PISCINAS ENTERRADAS E REGULAMENTO ESPECÍFICO



Para as piscinas em superfície, é recomendado proteger o acesso ao tanque por meio de um elemento de proteção normalizado.

Para as piscinas semienterradas e completamente enterradas, a lei francesa n.º 2003-9 de 3 de janeiro de 2003, relativa à segurança das piscinas, bem como o decreto francês n.º 2003-1389 de 31 de dezembro de 2003, relativo à segurança das piscinas, exigem proteger o acesso ao tanque através de pelo menos um elemento de proteção normalizado, como:

- Barreira de proteção
- Alarme de piscina
- Cobertura de piscina
- Refúgio de piscina

CONSELHO DE COLOCAÇÃO

Deve preparar o terreno como indicado neste manual no capítulo «Instalação».

NÃO COLOQUE A SUA PISCINA

- Sob redes de eletricidade
- Sob ramagem de árvores
- Sobre um terreno não estabilizado

Uma boa localização permite poupar tempo e evita limitações. A piscina deve estar num lugar soalheiro e facilmente acessível. A localização da piscina deve estar isenta de tubagens ou de ligações elétricas.

Tenha em conta que é preferível montar a piscina num dia soalheiro e evitar os dias com muito vento.

EMBALAGEM, CLASSIFICAÇÃO E RECICLAGEM

- Alguns componentes da piscina estão embalados em sacos de plástico. Para evitar qualquer risco de asfixia, nunca permita que os bebés ou as crianças brinquem com eles.
- Obrigados por respeitar as normas da União Europeia e por colaborar na proteção do ambiente.

Quando tenha instalado a sua piscina e estejam todos os componentes unidos, agradecemos que classifique e recicle todas as embalagens.

EN

LEARN ABOUT THE WOOD

ES

CONOZCA LA MADERA

FR

MIEUX CONNÂTRE LE BOIS

DE

DAS HOLZ BESSER KENNENLERNEN

IT

CONOSCI IL LEGNO

NL

WAT U MOET WETEN OVER HOUT

PT

CONHEÇA A MADEIRA

EN WOOD: A LIVING MATERIAL

Wood is a natural product, the fissures visible on the edges of the wood are completely normal and do not modify the resistance characteristics of the same.

Wood is always a malleable material (from 3% to 4% of dimensional variations) with humidity and temperature oscillations. Therefore, small cracks can appear and in order to limit later deformations, the technical criteria have been respected regarding the design, the choice of sections, and of packaging and the fixing methods. Knots are natural elements of wood: their aspect and their size vary from one product to another. The secretion of resin is a natural phenomenon of resinous wood. **Just as no tree is like another tree, the following photographed elements cannot be considered as defects:**

ES LA MADERA: UN MATERIAL VIVO

La madera es un producto natural, las fisuras perceptibles en el filo de la madera son completamente normales y no modifican las características de resistencia de la misma.

La madera siempre es un material moldeable (de un 3 % a un 4 % de variaciones dimensionales) con las oscilaciones en temperatura y en humedad. Por lo tanto, pueden aparecer pequeñas grietas y para limitar ulteriores deformaciones, se respetarán los criterios técnicos en cuanto a la concepción, a la selección de secciones y de ensamblajes y a la forma de fijación. Los nudos son elementos naturales de la madera: su aspecto y su tamaño varían de un producto a otro. La secreción de resina es un fenómeno natural de la madera resinosa. **Al igual que ningún árbol es exactamente igual a otro, no se pueden considerar defectos los elementos fotografiados a continuación:**

FR LE BOIS : UN MATÉRIAU VIVANT

Le bois est un produit naturel, les fissures apparentes dans le fil du bois sont tout à fait normales et ne modifient pas les caractéristiques de résistance du bois.

Le bois reste toujours un matériau qui travaille (3 à 4 % de variations dimensionnelles) avec les variations d'humidité et de température. De légères fentes peuvent donc apparaître et pour limiter d'éventuelles déformations, on respectera les règles de l'art quant à la conception, au choix des sections, des assemblages et du mode de fixation. Les noeuds sont des éléments naturels du bois : leur aspect et leur taille varient d'un produit à l'autre. L'écoulement de résine est un phénomène naturel du bois résineux. **Tout comme aucun arbre n'est exactement similaire à un autre arbre, il ne faut pas considérer les éléments photographiés ci-dessous comme des défauts:**

DE DAS HOLZ: EIN LEBENDIGES MATERIAL

Holz ist ein Naturprodukt, die spürbaren Risse im Schliff des Holzes sind völlig normal und verändern nicht die Eigenschaften seiner Festigkeit.

Holz ist immer ein formbares Material (bei 3 % bis 4 % Abmessungsabweichungen) mit Schwankungen bei Temperatur und Feuchtigkeit. Folglich können kleine Risse auftreten. Um weitere Verformungen zu begrenzen, werden die technischen Kriterien hinsichtlich Konzeption, Auswahl der Abschnitte, Verfübung und Art der Befestigung beachtet. Knoten sind natürliche Elemente des Holzes: ihr Aussehen und ihre Größe schwanken von Produkt zu Produkt. Harzabsonderung ist ein natürliches Phänomen bei harzhaltigem Holz. **So wie kein Baum einem anderen genau gleicht, sollten folgende Elemente auf den Fotos nicht als Fehler betrachtet werden:**

IT IL LEGNO: UN MATERIALE VIVO

Il legno è un prodotto naturale, le fessure percettibili nel bordo del legno sono assolutamente normali e non modificano le caratteristiche di resistenza.

Il legno è sempre un materiale modellabile (da un 3% a un 4% di variazioni dimensionali) in base alle variazioni di temperatura e umidità. Può quindi presentare piccole crepe e per limitare ulteriori deformazioni si dovranno rispettare i criteri tecnici relativi a creazione, selezione delle sezione e dell'assemblaggio e il metodo di fissaggio. I nodi sono elementi naturali del legno: il loro aspetto e la loro grandezza variano da un prodotto all'altro. La secrezione di resina è un fenomeno naturale del legno resinoso. **Come nessun albero è esattamente uguale ad un altro, non si possono considerare difetti gli elementi di seguito fotografati:**

NL HOUT: EEN LEVEND MATERIAAL

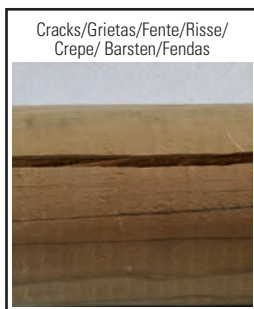
Hout is een natuurproduct, de waarneembare scheurtjes in de nerf van het hout zijn volstrekt normaal en veranderen de sterkte-eigenschappen ervan niet.

Het hout blijft nog altijd een materiaal dat werkt (3 % a 4 % variatie in omvang) als gevolg van veranderingen in temperatuur en vochtigheid. Daardoor kunnen er kleine scheurtjes verschijnen en om toekomstige vervormingen te beperken, worden de criteria van ontwerp en vakmanschap in acht genomen bij de keuze van onderdelen en assemblages evenals voor de manier van bevestigen. Kwasten maken van nature deel uit van hout: het uiterlijk en de grootte variëren van het ene en het andere product. Het uitscheiden van hars is een natuurlijk verschijnsel van harshoudend hout. **Bovendien is geen een boom precies hetzelfde als een ander; de gefotografeerde elementen die hieronder staan mogen daarom niet als defect worden beschouwd:**

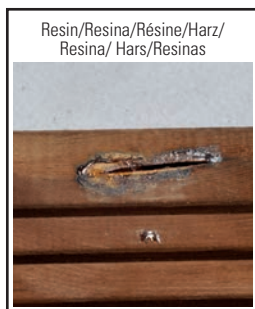
PT A MADEIRA: UM MATERIAL VIVO

A madeira é um produto natural, as fissuras percetíveis no veio da madeira são completamente normais e não alteram as características de resistência da mesma.

A madeira é sempre um material moldável (de 3% a 4% de variações dimensionais) com as oscilações em temperatura e em humidade. Portanto, podem surgir pequenas fendas e para limitar ulteriores deformações, serão respeitados os critérios técnicos no que diz respeito à conceção, à seleção de secções e de uniões e à forma de fixação. Os nós são elementos naturais da madeira: o seu aspeto é o seu tamanho variam de um produto para outro. A secreção de resina é um fenómeno natural da madeira resinosa. **Da mesma forma que nenhuma árvore é exatamente igual a outra, os elementos abaixo fotografados não podem ser considerados defeitos:**



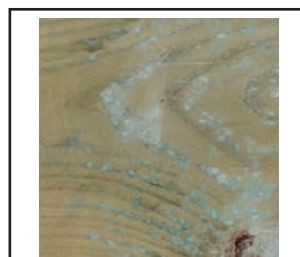
Cracks/Grietas/Fente/Risse/
Crepe/ Barsten/Fendas



Resin/Resina/Résine/Harz/
Resina/ Hars/Resinas



Nerves and long knots
Nervios y nudos alargados
Nervures et noeuds longs
Geäder und lange knoten
Nervature e nodi ingranditi
Houtnerf en verlengde kwasten
Nervuras e nós alongados



Retention of sterilization products
Retención de productos de esterilización
Rétention de produits détuve
Rückstände von Sterilisationsprodukten
Ritenzione di prodotti per la sterilizzazione
Vasthouden van impregneringsmiddelen
Retenção de produtos de esterilização



Differences in shades of colour
Diferencias de tonalidad
Différences de teinte
Unterschiede im Farbton
Differenze di tonalità
Kleurverschillen
Diferenças de tonalidade



Surface mould/Moho superficial/
Moisissures superficielles/
Oberflächlicher Moder/Muf fa su-
perficiale/Oppervlakte-schimmel/
Bolor superficial



Round knots/Nudos redondos/
Noeuds ronds/Runde knoten /
Nodi rotondi/
Ronde kwasten/
Nós redondos

EN Mould can appear on the surface of wood, although not penetrating into it and not degrading it. After being treated with UV radiation, wood turns greyish with time without this affecting its durability. Varnish can be applied to wood treated in autoclave. In addition to protection, varnish contributes to the beauty and long-life of wood. In this case, wait for the wood to completely dry before applying the varnish.

SYLVESTER PINE TREATED IN AUTOCLAVE

The wood we use is select pine and dried to 2.5% before treatment in class IV autoclave. It has a 10-year guarantee against insect attack and against rot for the parts in the ground.

ES Puede aparecer moho en la superficie de la madera, aunque no penetran en ella y no la degradan. Al someterse a la radiación UV, la madera se vuelve grisácea con el tiempo sin que esto perjudique a su durabilidad. Puede aplicar un barniz para maderas tratadas en autoclave. Además de proteger, el barniz contribuye a la belleza y a la longevidad de la instalación. En este caso, espere a que la madera seque completamente antes de aplicar el barniz.

EL PINO SILVESTRE TRATADO EN AUTOCLAVE

La madera utilizada es un pino seleccionado y secado al 25 % antes de un tratamiento en autoclave IV. Disfruta de una garantía de 10 años contra el ataque de los insectos y contra la podredumbre para las partes en el suelo.

FR Des moisissures peuvent apparaître en surface du bois, elles ne pénètrent pas le bois et ne le dégradent pas. Soumis aux UV, le bois grisaille avec le temps sans que cela nuise à sa durabilité. Vous pouvez appliquer une lasure pour bois traité autoclave. Complément de la préservation, elle contribue à la beauté et à la longévité de l'ouvrage. Dans ce cas, attendez le séchage complet du bois avant de procéder à l'application de la lasure.

LE PIN SYLVESTER TRAITÉ AUTOCLAVE

Le bois utilisé est un pin sélectionné et séché à 25 % avant un traitement en autoclave IV. Il bénéficie d'une garantie de 10 ans contre l'attaque des insectes et le pourrissement pour les parties dans le sol.

DE An der Oberfläche des Holzes kann Moder auftreten, obgleich er dort nicht eindringt und es nicht beschädigt. Da es der UV-Strahlung ausgesetzt ist, wird Holz mit der Zeit gräulich, ohne dass dadurch seine Haltbarkeit beeinträchtigt wird. Sie können einen Lack für Holz auftragen, das im Autoklav behandelt wurde. Neben seiner Schutzfunktion trägt der Lack zur Schönheit und Langlebigkeit der Anlage bei. In diesem Fall warten Sie, bis das Holz vollständig getrocknet ist, bevor Sie den Lack auftragen.

IM AUTOKLAV BEHANDELTE WILDE KIEFER

Das eingesetzte Holz ist ausgewähltes Kiefernholz, das vor der Behandlung in einem Autoklav IV bis 25 % getrocknet wurde. Es hat eine Garantie von 10 Jahren gegen Insektenbefall und Fäulnis für Teile auf dem Boden.

IT Può essere visibile della muffa sulla superficie del legno, ma non penetra dentro e non lo danneggia. L'esposizione ai raggi UV rende il legno grigiastro con il tempo senza che ciò pregiudichi la sua durata. Si può applicare una vernice per legname trattato in autoclave. Oltre a proteggere, la vernice contribuisce alla bellezza e alla durata dell'installazione. In questo caso, aspettare che il legno si asciughi completamente prima di applicare la vernice.

PINO SILVESTRE TRATTATO IN AUTOCLAVE

Il legno utilizzato è pino silvestre selezionato ed essiccato al 25% con un trattamento in autoclave 4. Ha una garanzia di 10 anni contro l'attacco di insetti e il marciume per le parti in contatto con il suolo.

NL Er kan wat schimmel aan de oppervlakte van het hout zijn die echter niet naar binnen kan dringen en het hout aantasten. Door blootstelling aan UV-straling, zal het hout met de tijd een grijsachtige uitstraling krijgen waar de duurzaamheid echter niet onder leidt. U kunt een blanke vernis toepassen voor geïmpregneerd hout. Behalve dat vernis bescherming biedt, zorgt het ervoor dat het geheel er mooi uitziet en langer meegaat. Wacht in dit geval totdat het hout volledig droog is voordat u het in de vernis zet.

GEÏMPREGNEERD HOUT VAN DE GROVE DEN

Het gebruikt hout is een geselecteerde den die 25 % is gedroogd voordat hij een behandeling voor impregnatie klasse IV ondergaat. Het hout voor de vloerdelen geniet een garantie van 10 jaar tegen de aanvallen van insecten en tegen houtrot.

PT Pode surgir bolor sobre a superfície da madeira, ainda que não penetra nela e não a degrada. Ao se submeter à radiação UV, a madeira torna-se grisalha com o decorrer do tempo sem que isso prejudique a sua durabilidade. Pode aplicar um verniz para madeiras tratadas em autoclave. Para além de proteger, o verniz contribui para a beleza e a longevidade da instalação. Nesse caso, espere a que a madeira seque completamente antes de aplicar o verniz.

O PINHEIRO-SILVESTRE TRATADO EM AUTOCLAVE

A madeira utilizada é um pinheiro selecionado e secado a 25% antes de um tratamento em autoclave IV. Conta com uma garantia de 10 anos contra o ataque dos insetos e contra a podridão para as partes no solo.

EN

INSTALLATION DRAWING

ES

PLANO DE INSTALACIÓN

FR

PLAN D'IMPLANTATION

DE

AUFSTELLPLAN

IT

PIANO DI INSTALLAZIONE

NL

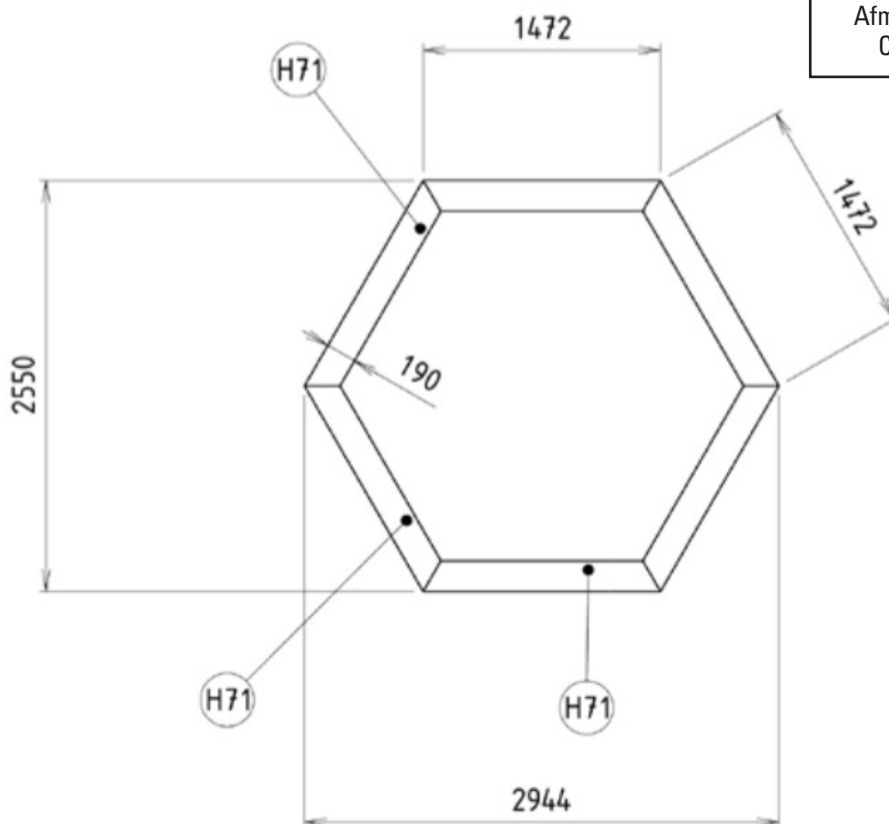
TIPS VOOR DE VEILIGHEID

PT

PLANO DE INSTALAÇÃO

Ref. 786226 (EG)

Dimensions in mm
 Cotas en mm
 Cotações en mm
 Höhenangaben in mm
 Livello in mm
 Afmetingen in mm
 Cotas em mm



IDENTIFICATION/
 IDENTIFICA-
 CIÓN/REPÈRE/
 KENNZEICHNUNG/
 IDENTIFICAZIONE/
 IDENTIFICATIE/
 IDENTIFICAÇÃO/

DENOMINATION/DENOMINACIÓN/DÉSIGNATION/BEZEICHNUNG/ DENOMI-
 NAZIONE/BENAMING/DENOMINAÇÃO/

REF/RÉF/
 HINWEIS/
 RIF

CTD/QTÉ/
 ANZ/AANT/
 TD

H71

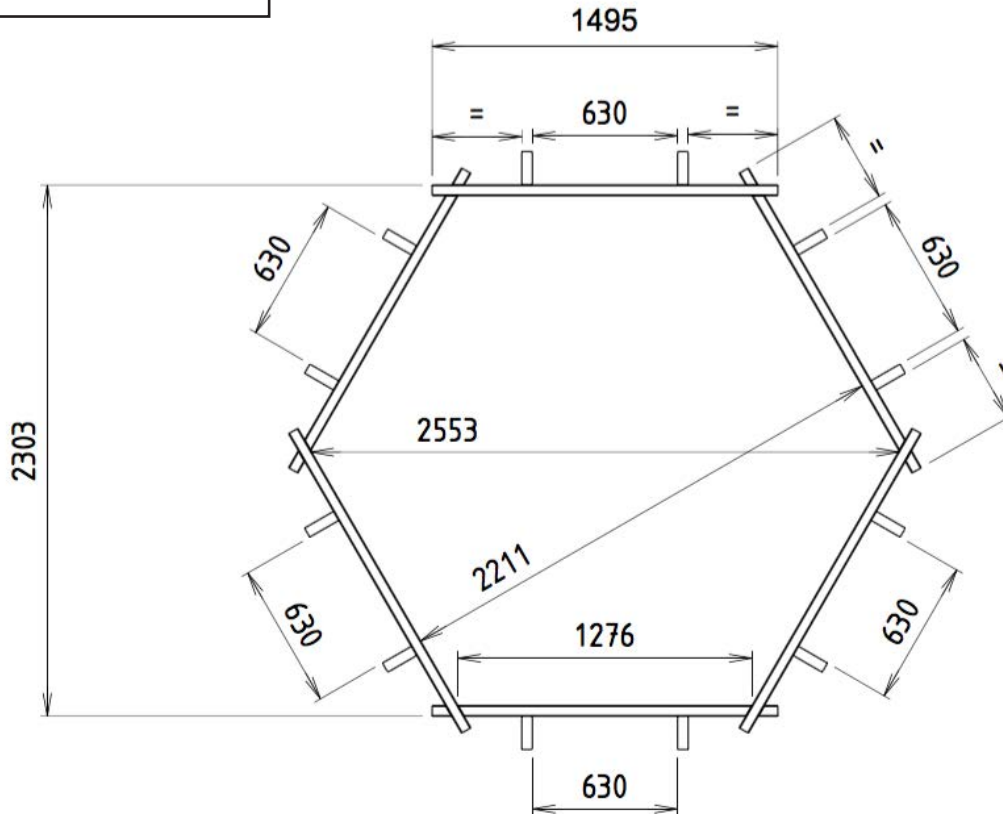
Edge C4 1472x190x28mm-Cut D30°/G30° • Playa C4 1472x190x28mm-Corte D30°/G30° •
 Margelle C4 1472x190x28mm-Coupe D30°/G30° • Rand C4 1472x190x28mm-Schnitt D30°/
 G30° • Bordo C4 1472x190x28mm-Taglio D30°/G30° • Ränd C4 1472x190x28mm-Zaagsnede
 D30°/G30° • Bordo C4 1472x190x28mm-Corte D30°/G30°

788504


6

Dimensions in mm
 Cotas en mm
 Cotations en mm
 Höhenangaben in mm
 Livello in mm
 Afmetingen in mm
 Cotas em mm


Ref. 786226 (EG)



EN

 You should respect all these dimensions to perfectly adjust the liner and the edges.

IT

 Per sistemare alla perfezione il liner e i bordi è importante rispettare tutte le misure.

ES

 Para ajustar perfectamente el liner y los bordes es importante respetar todas las medidas.


NL

 Om de liner en de randen perfect op elkaar aan te laten sluiten, is het belangrijk om alle maten te respecteren.


FR

 Pour ajuster parfaitement le liner et les margelles, il est important de respecter toutes ces dimensions.

PT

 Para ajustar perfeitamente o liner e os bordos, é importante respeitar todas as dimensões.

DE

 Um den Liner und die Ränder tadellos anzupassen, ist es wichtig, alle Maße zu beachten.

EN

INSTALLATION DRAWING

ES

PLANO DE INSTALACIÓN

FR

PLAN D'IMPLANTATION

DE

AUFSTELLPLAN

IT

PIANO DI INSTALLAZIONE

NL

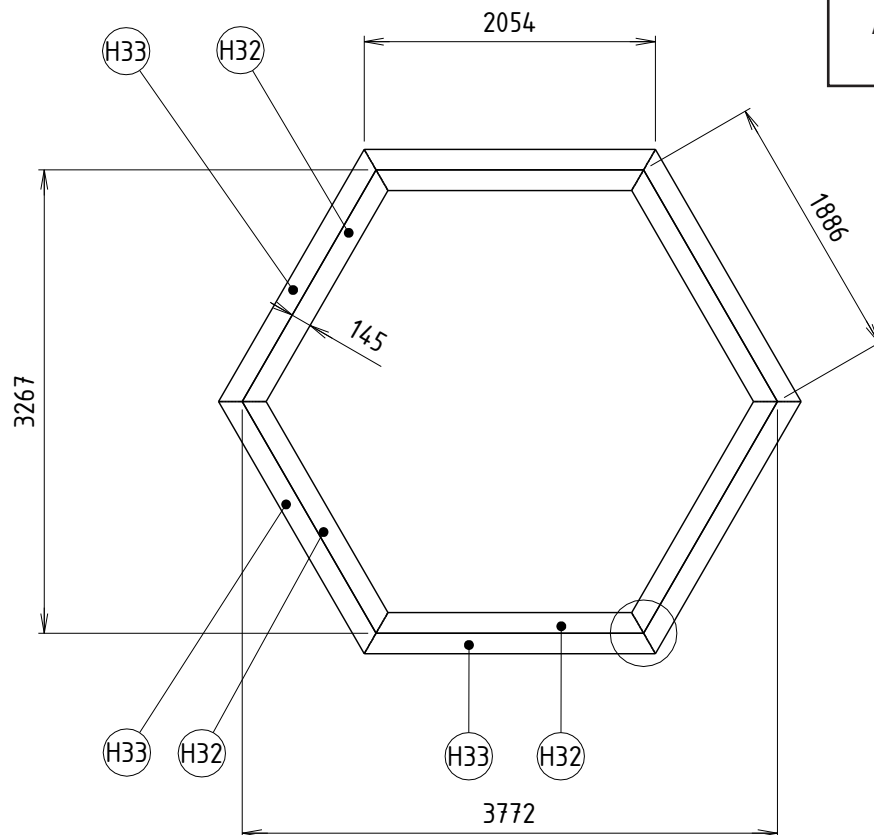
TIPS VOOR DE VEILIGHEID

PT

PLANO DE INSTALAÇÃO

Ref. 783331 (E) (EG)

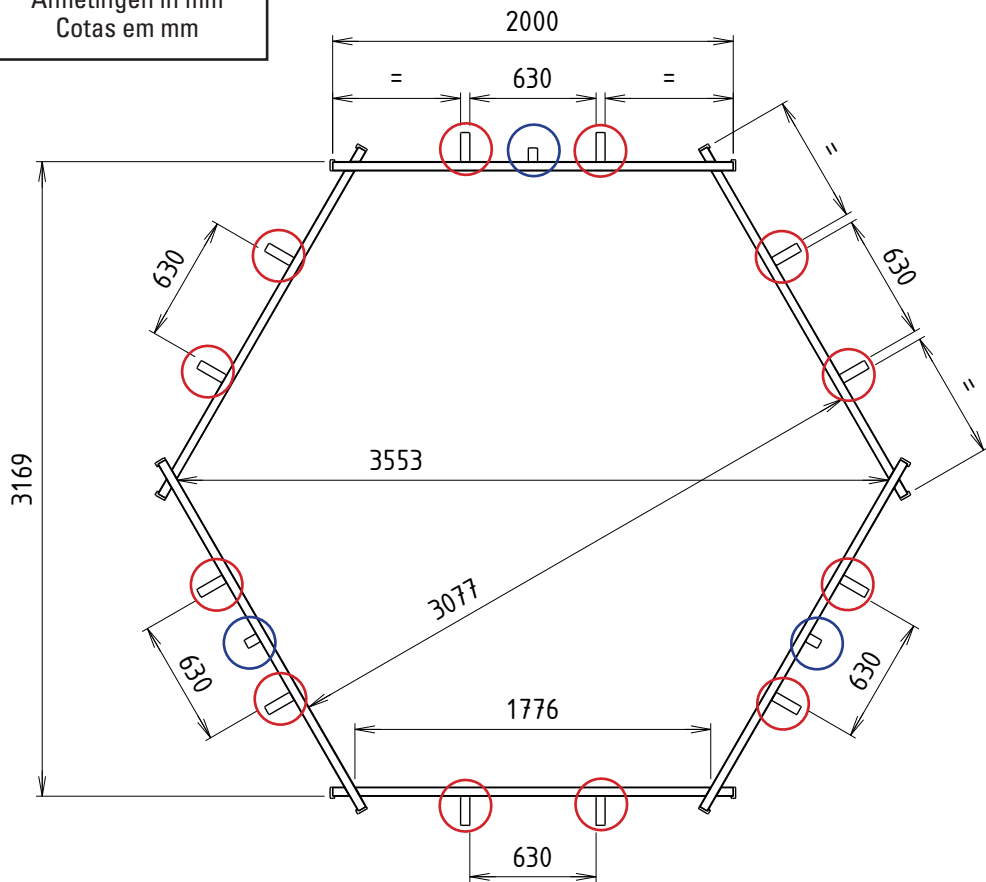
Dimensions in mm
Cotas en mm
Cotations en mm
Höhenangaben in mm
Livello in mm
Afmetingen in mm
Cotas em mm



IDENTIFICATION/ IDENTIFICACIÓN/REPÈRE/ KENNZEICHNUNG/ IDENTIFICAZIONE/ IDENTIFICATIE/ IDENTIFICAÇÃO/	DENOMINATION/DENOMINACIÓN/DÉSIGNATION/BEZEICHNUNG/ DENOMINAZIONE/BENAMING/DENOMINAÇÃO/	REF/RÉF/ HINWEIS/ RIF	CTD/QTÉ/ ANZ/AANT/ TD
H32	Inside Edge L1886-Cut D30°/G30° • Playa Interior L1886-Corte D30°/G30° • Margelle Intérieure L1886-Coupe D30°/G30° • Innerer Rand L1886-Schnitt D30°/G30° • Bordo interno L1886-Taglio D30°/G30° • Binnenrand L1886-Zaagsnede D30°/G30° • Bordo interior L1886-Corte D30°/G30°	784635	6
H33	Outside Edge L2054-Cut D30°/G30° • Playa Exterior L2054-Corte D30°/G30° • Margelle Extérieure L2054-Coupe D30°/G30° • Äußerer Rand L2054-Schnitt D30°/G30° • Bordo esterno L2054-Taglio D30°/G30° • Buitenrand L2054-Zaagsnede D30°/G30° • Bordo exterior L2054-Corte D30°/G30°	784636	6

Dimensions in mm
 Cotas en mm
 Cotations en mm
 Höhenangaben in mm
 Livello in mm
 Afmetingen in mm
 Cotas em mm

Ref. 783331 (E) (EG)



EN

⚠ You should respect all these dimensions to perfectly adjust the liner and the edges.

IT

⚠ Per sistemare alla perfezione il liner e i bordi è importante rispettare tutte le misure.

ES

⚠ Para ajustar perfectamente el liner y los bordes es importante respetar todas las medidas.

NL

⚠ Om de liner en de randen perfect op elkaar aan te laten sluiten, is het belangrijk om alle maten te respecteren.

FR

⚠ Pour ajuster parfaitement le liner et les margelles, il est important de respecter toutes ces dimensions.

PT

⚠ Para ajustar perfeitamente o liner e os bordos, é importante respeitar todas as dimensões.

DE

⚠ Um den Liner und die Ränder tadellos anzupassen, ist es wichtig, alle Maße zu beachten.



Wooden blocks
 Tacos de madera
 Consoles
 Konsolen
 Tasselli
 Console
 Blocos de madeira

Small reinforcements
 Refuerzos pequeños
 Petits renforts
 Kleine Verstärkungen
 Rinforzi piccoli
 Kleine versterkingen
 Reforços pequenos

EN

ES

FR

DE

IT

NL

PT

INSTALLATION DRAWING

PLANO DE INSTALACIÓN

PLAN D'IMPLANTATION

AUFSTELLPLAN

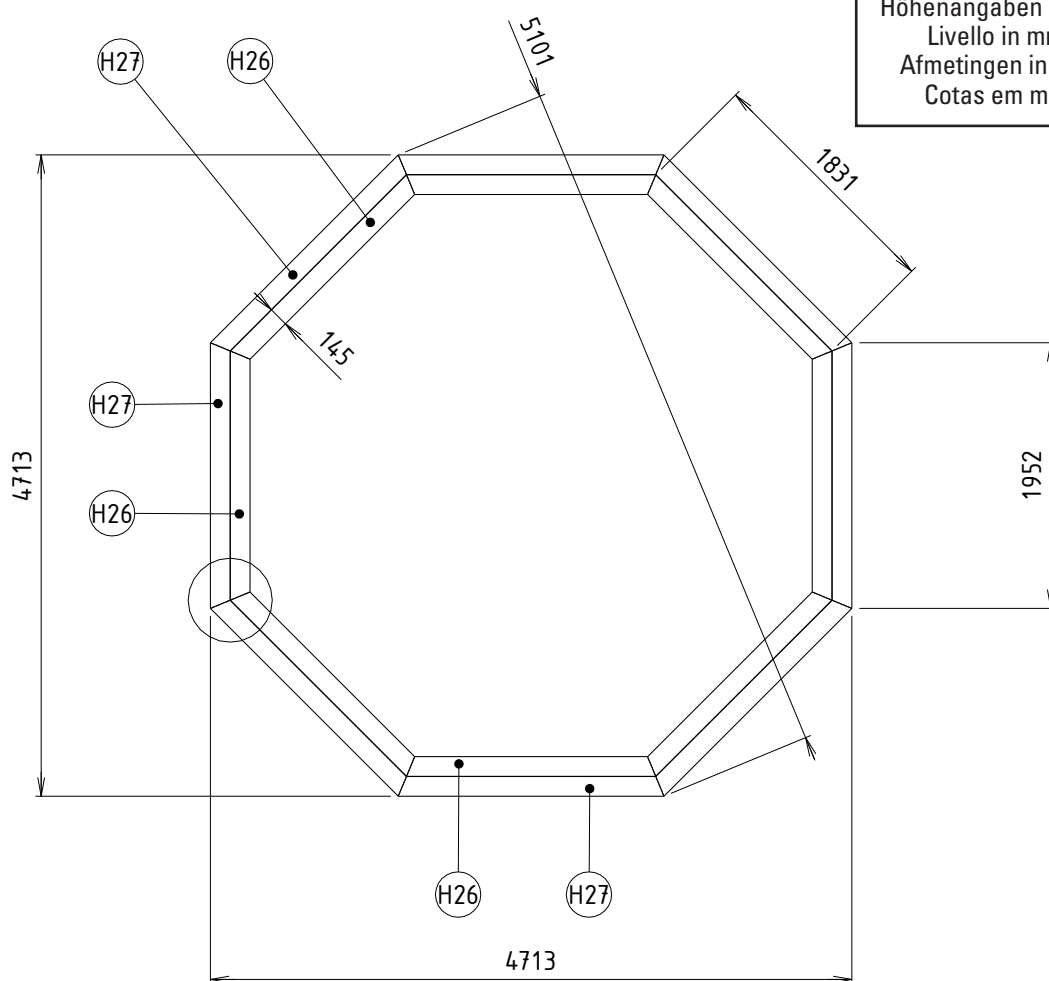
PIANO DI INSTALLAZIONE

TIPS VOOR DE VEILIGHEID

PLANO DE INSTALAÇÃO

Ref. 783333 (E)

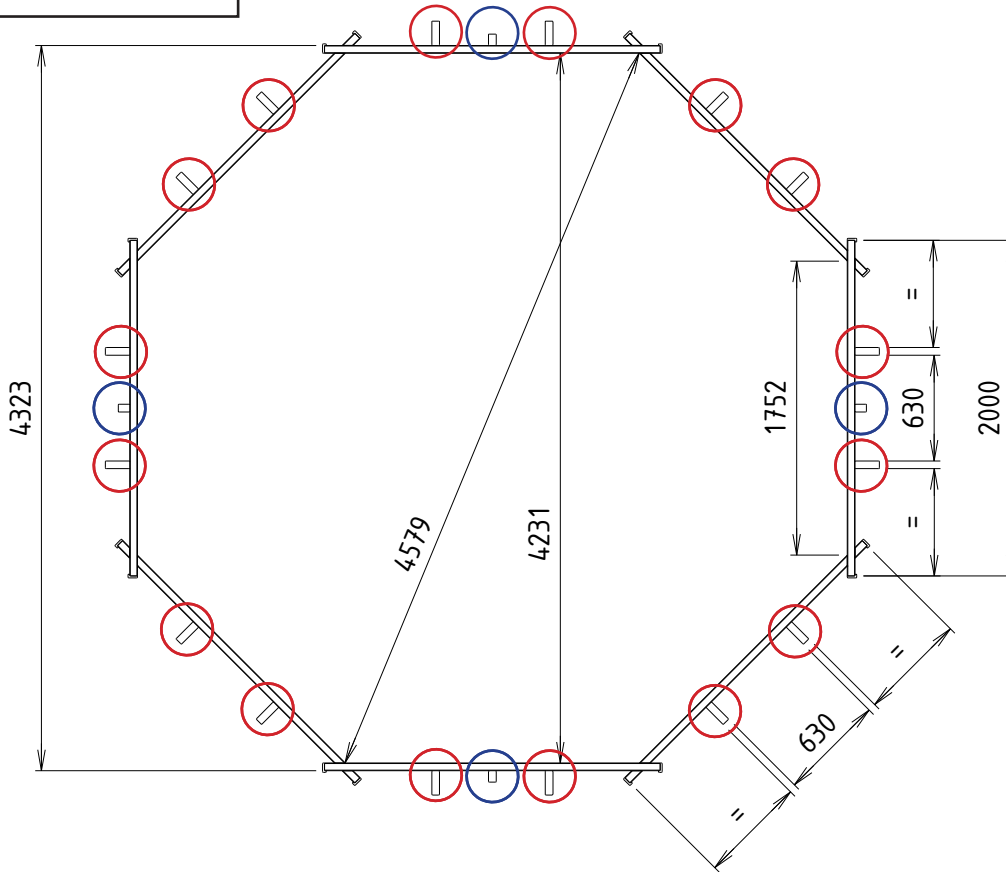
Dimensions in mm
 Cotas en mm
 Cotações en mm
 Höhenangaben in mm
 Livello in mm
 Afmetingen in mm
 Cotas em mm



IDENTIFICATION/ IDENTIFICACIÓN/REPÈRE/ KENNZEICHNUNG/ IDENTIFICAZIONE/ IDENTIFICATIE/ IDENTIFICAÇÃO/	DENOMINATION/DENOMINACIÓN/DÉSIGNATION/BEZEICHNUNG/ DENOMINAZIONE/BENAMING/DENOMINAÇÃO/	REF/RÉF/ HINWEIS/ RIF	CTD/QTÉ/ ANZ/AANT/ TD
H26	Edge L1831-Cut D22.5°/G22.5° • Playa L1831-Corte D22.5°/G22.5° • Margelle L1831-Coupe D22.5°/G22.5° • Rand L1831-Schnitt D22.5°/G22.5° • Bordo L1831-Taglio D22.5°/G22.5° • Rand L1831-Zaagsnede D22.5°/G22.5° • Bordo L1831-Corte D22.5°/G22.5°	784645	8
H27	Edge L1952-Cut D22.5°/G22.5° • Playa L1952-Corte D22.5°/G22.5° • Margelle L1952-Coupe D22.5°/G22.5° • Rand L1952-Schnitt D22.5°/G22.5° • Bordo L1952-Taglio D22.5°/G22.5° • Rand L1952-Zaagsnede D22.5°/G22.5° • Bordo L1952-Corte D22.5°/G22.5°	784646	8

Dimensions in mm
 Cotas en mm
 Cotations en mm
 Höhenangaben in mm
 Livello in mm
 Afmetingen in mm
 Cotas em mm

Ref. 783333 (E)



EN

⚠ You should respect all these dimensions to perfectly adjust the liner and the edges.

IT

⚠ Per sistemare alla perfezione il liner e i bordi è importante rispettare tutte le misure.

ES

⚠ Para ajustar perfectamente el liner y los bordes es importante respetar todas las medidas.

NL

⚠ Om de liner en de randen perfect op elkaar aan te laten sluiten, is het belangrijk om alle maten te respecteren.

FR

⚠ Pour ajuster parfaitement le liner et les margelles, il est important de respecter toutes ces dimensions.

PT

⚠ Para ajustar perfeitamente o liner e os bordos, é importante respetar todas as dimensões.

DE

⚠ Um den Liner und die Ränder tadellos anzupassen, ist es wichtig, alle Maße zu beachten.



Wooden blocks
 Tacos de madera
 Consoles
 Konsolen
 Tasselli
 Console
 Blocos de madeira

Big reinforcements
 Refuerzos grandes
 Grands renforts
 Große Verstärkungen
 Rinforzi grandi
 Grote verstevigingen
 Reforços grandes



EN

SUMMARY

ES

ÍNDICE

FR

SOMMAIRE

DE

ZUSAMMENFASSUNG

IT

RIASSUNTO

NL

SAMENVATTING

PT

RESUMO

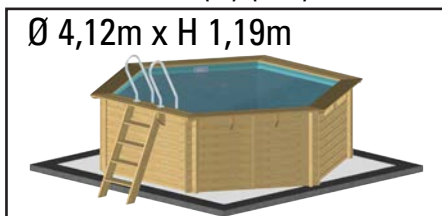
Ref. 786226 (EG)

Ø2,95 x H 1,19m



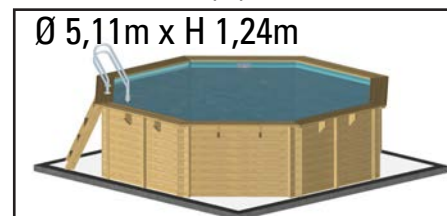
Ref. 783331 (E) (EG)

Ø 4,12m x H 1,19m



Ref. 783333 (E)

Ø 5,11m x H 1,24m



Installation drawing / Plano de instalación / Plan d'implantation / Aufstellplan / Piano di installazione /
 Installatieplan / Plano de instalação **Ref. 786226 (EG)** 20

Installation drawing / Plano de instalación / Plan d'implantation / Aufstellplan / Piano di installazione /
 Installatieplan / Plano de instalação **Ref. 783331 (E) (EG)** 22

Installation drawing / Plano de instalación / Plan d'implantation / Aufstellplan / Piano di installazione /
 Installatieplan / Plano de instalação **ref. 783333 (E)** 24

Previsions / Previsiones / A prévoir / Vorausplanung / Precauzioni / Rekening houden met / Previsões 28

Installation / Instalación / Implantation / Montage / Installazione / Installatie / Instalação 30

Preparing the land / Preparación del terreno / Terrassement / Geländevorbereitung /
 Preparazione del terreno / Voorbereiding van het terrein / Preparação do terreno 35

Boards + Protective ground blanket / Tablas + Manta protectora de fondo / Madriers + Feutre de fond
 / Erdarbeiten + Schutzdecke im untergrund / Tavole + Copertura di protezione del fondo / Planken +
 Beschermdeken bodem / Tábuas + Manta protetora de fundo **Ref. 786226 (EG)** 42

Boards + Protective ground blanket / Tablas + Manta protectora de fondo / Madriers + Feutre de fond
 / Erdarbeiten + Schutzdecke im untergrund / Tavole + Copertura di protezione del fondo / Planken +
 Beschermdeken bodem / Tábuas + Manta protetora de fundo **Ref. 783331 (E) (EG)** 44

Boards + Protective ground blanket / Tablas + Manta protectora de fondo / Madriers + Feutre de fond
 / Erdarbeiten + Schutzdecke im untergrund / Tavole + Copertura di protezione del fondo / Planken +
 Beschermdeken bodem / Tábuas + Manta protetora de fundo **ref. 783333 (E)** 46

Assembly of the structure / Montaje de la estructura / Assemblage de la structure / Zusammenbau des
 Tragwerks / Montaggio della struttura / Montage van de constructie / Montagem da estrutura
Ref. 786226 (EG) 48

Assembly of the structure / Montaje de la estructura / Assemblage de la structure / Zusammenbau des
 Tragwerks / Montaggio della struttura / Montage van de constructie / Montagem da estrutura
Ref. 783331 (E) (EG) 52

Assembly of the structure / Montaje de la estructura / Assemblage de la structure / Zusammenbau des
 Tragwerks / Montaggio della struttura / Montage van de constructie / Montagem da estrutura
ref. 783333 (E) 56

Wooden blocks, reinforcements and trimmings / Tacos, refuerzos y embellecedores / Consoles, renforts et caches / Konsolen, Verstärkungen und Zierleisten / Tasselli, rinforzi e coperture / Console, verstevingen en sierlijsten / Blocos de madeira, reforços e embelezadores	60
Wooden setpladder / Escalera de madera / Echelle bois / Holztreppe / Scala di legno / Houten trap / Escada de madeira	64
Protective wall blanket / Manta protectora de pared / Feutre de paroi / Schutzdecke an der Wand / Copertura di protezione della parte / Beschermdeken muur / Manta protetora de parede	68
Fixing of the skimmer joint / Fijación de la junta skimmer / Fixation du joint de skimmer / Befestigung der Dichtung des Skimmers / Fissaggio del giunto dello skimmer / Vastzetten van de skimmerverbinding / Fixação da junta do skimmer	70
Location of the refilling fitting with key / Situación de la boquilla de salida / Emplacement buse de refoulement / Einbaustelle des Druckventils / Posizione dell'ugello di mandata / Plaatsing van het uitstroommondstuk / Situação da boquilha de impulsão	71
Fixing of the liner fixing profiles / Fijación de los perfiles de sujeción del liner / Fixation des baguettes de maintien du liner / Befestigung der Einspannprofile des Liners / Fissaggio dei profili di ancoraggio del liner / Vastzetten van de klemprofielen van de liner / Fixação dos perfis de amarração do liner	72
Installation of the liner / Colocación del liner / Mise en place du liner / Positionierung des Liners / Posizionamiento del liner / Plaatsing van de liner / Colocação do liner	77
Land-filling / Terraplenado / Remblaiement / Anschüttung / Terrapieno / Grond effenen / Aterro	81
Positioning of the sealing pieces + Skimmer / Posicionamiento de las piezas de sellado + Skimmer / Positionnement des pièces à sceller + Skimmer / Positionierung der Versiegelungsteile + Skimmer / Posizionamento dei pezzi di saldatura + Skimmer / Plaatsing van de af te dichten onderdelen + Skimmer / Posicionamento das peças de selagem + Skimmer	84
Filter / Filtración / Filtration / Filtration / Filtrazione / Filtering / Filtração	98
Sand Filter / Filtro de arena / Filtre à sable / Sandfilter / Filtro per la sabbia / Zandfilter / Filtro de areia	100
Edges / Playas / Margelles / Ränder / Bordi / Randen / Bordos	104
Fixing of the stainless steel ladder / Fijación de la escalera inoxidable / Fixation de l'échelle inox / Befestigung einer Treppe aus rostfreiem Material / Fissaggio della scala di acciaio inossidabile / Bevestiging van de rvs-ladder / Fixação da escada inoxidável	109
Putting into service + Maintenance and treatment + Safety suggestions / Puesta en servicio + Mantenimiento y servicio + Consejos de seguridad / Mise en service + Entretien et traitement + Conseils de sécurité / Inbetriebnahme + Instandhaltung und Pflege + Sicherheitsinweise / Messa in servizio + Manutenzione e trattamento + Consigli per la sicurezza / Ingebruikname + Onderhoud en behandeling + Veiligheidsinformatie / Colocação em serviço + Manutenção e tratamento + Informação de segurança	112
Normal maintenance + Wintering / Mantenimiento habitual + Ivernaje / Entretien courant + Hivernage / Übliche Instandhaltung + Überwinterung / Manutenzione ordinaria + Invernaggio / Routineonderhoud + Winterklaar maken / Manutenção habitual + Hibernação	126

EN

ES

FR

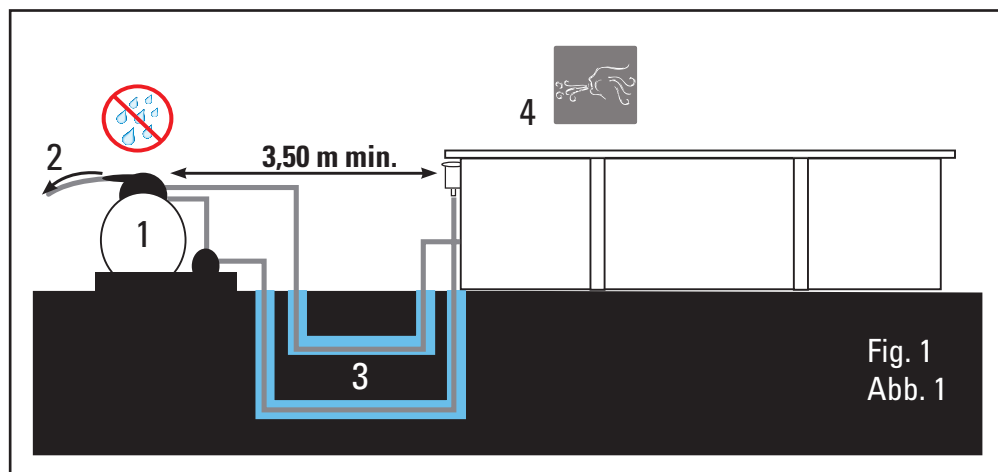
DE

PREVISIONS

PREVISIONES

A PRÉVOIR

VORAUSSPLANUNG

Fig. 1
Abb. 1

EN

FILTER GROUP

1 The filter group and especially the electric pump should necessarily be located at a distance of at least 3.5 metres from the bowl (electricity regulation NFC-100).

WATER EVACUATION

2 Maintenance and wintering of the filter requires water evacuation. The evacuation should be foreseen when installing the filter group.

FILTER TUBE

3 In the case you want to bury the filter tubes, these should be protected against risk of deterioration, by protecting them with a cover before burying them.

POOL ORIENTATION

4 The pool should be positioned so the skimmer is facing the prevailing winds. The skimmer is a very important element in the filter system and is always installed facing the prevailing winds. The optimum filtering of the pool water depends on the suction capacity and position of the skimmer.

The filter group should be located below the level of the pool and ideally at floor level of the pool, otherwise there is a risk of the pump becoming deactivated. The filter pump should be protected from splashing of water, from floods, and from humidity, in a dry, well ventilated place. Otherwise, the metallic pieces and the pump motor may become deteriorated.

ES

GRUPO DE FILTRACIÓN

El grupo de filtración y en especial la bomba eléctrica de la piscina deben estar situadas obligatoriamente a una distancia de al menos 3,5 metros del vaso (norma eléctrica NFC-100).

EVACUACIÓN DE AGUA

El mantenimiento y el invierno del filtro necesitan evacuaciones de agua. Es imprescindible prever las evacuaciones para la instalación del grupo de filtración.

TUBO DE FILTRACIÓN

En caso de que desee enterrar los tubos de filtración, es indispensable protegerlos contra el riesgo de deterioro situándolos en un recubrimiento antes de introducirlos bajo tierra.

ORIENTACIÓN DEL VASO

El vaso se debe colocar de tal forma que el skimmer se encuentre de cara a los vientos dominantes. El skimmer es un elemento muy importante del sistema de filtración y siempre se instala de cara a los vientos dominantes. De la capacidad de aspiración y de su buen emplazamiento depende el filtrado óptimo del agua de la piscina.

El grupo de filtración debe situarse por debajo del nivel de la piscina e idealmente a nivel del suelo de la piscina; si no la bomba corre el riesgo de desactivarse. La bomba de filtrado debe situarse protegida de salpicaduras de agua, de inundaciones y de la humedad, en un lugar seco y bien ventilado. En caso contrario, las piezas metálicas y el motor de la bomba pueden deteriorarse.

FR

GRUPE DE FILTRATION

Le groupe de filtration et notamment la pompe électrique de la piscine devront être impérativement installés à une distance d'au moins 3,5 m du bassin (norme électrique NFC15-100).

EVACUATION DE L'EAU

L'entretien et l'hivernage du filtre nécessitent des évacuations d'eau. Il est impératif de prévoir ces évacuations lors de l'installation du groupe de filtration.

TUYAU DE FILTRATION

Dans le cas où vous souhaitez enterrer les tuyaux de la filtration, il est indispensable de les protéger contre le risque d'écrasement en les plaçant dans une gaine avant de les mettre sous terre.

ORIENTATION DU BASSIN

Le bassin doit être installé de telle manière que le skimmer se trouve face aux vents dominants. Le skimmer est un élément très important du système de filtration et s'installe toujours face aux vents dominants. De sa capacité d'aspiration et de son bon emplacement dépend une filtration optimale de l'eau de votre bassin.

Le groupe de filtration doit être en dessous du niveau de l'eau de la piscine et idéalement au niveau du sol de la piscine, sinon la pompe risque de se désamorcer. La pompe de filtration doit être placée à l'abri des projections d'eau, des inondations et de l'humidité, dans un local sec et bien aéré. à défaut, les parties métalliques et le moteur de la pompe risqueraient de se détériorer.

DE

FILTRATIONSAGGREGAT

Das Filtrationsaggregat und besonders die elektrische Pumpe des Pools müssen zwingend mit einem Abstand von mindestens 3,5 Metern vom Becken aufgestellt werden (Elektrorichtlinie NFC-100).

ABFLIESSEN DES WASSERS

Die Instandhaltung und das Überwintern des Filters erfordern Wasserentleerungen. Es ist unbedingt erforderlich, Entleerungen für die Installation des Filtrationsaggregats vorzusehen.

FILTRATIONSROHR

Falls Sie die Filtrationsrohre eingraben möchten, müssen Sie sie vor etwaigen Beschädigungen schützen, indem Sie sie vor der Platzierung im Untergrund mit einer Ummantelung versehen.

AUSRICHTUNG DES BECKENS

Das Becken muss so platziert werden, dass der Skimmer den vorherrschenden Winden zugewandt ist.

Der Skimmer ist ein sehr wichtiges Element des Filtrationssystems und wird immer zu den vorherrschenden Winden hingewandt eingebaut. Von der Ansaugleistung und der korrekten Platzierung hängt die optimale Filtrierung des Poolwassers ab.

IT

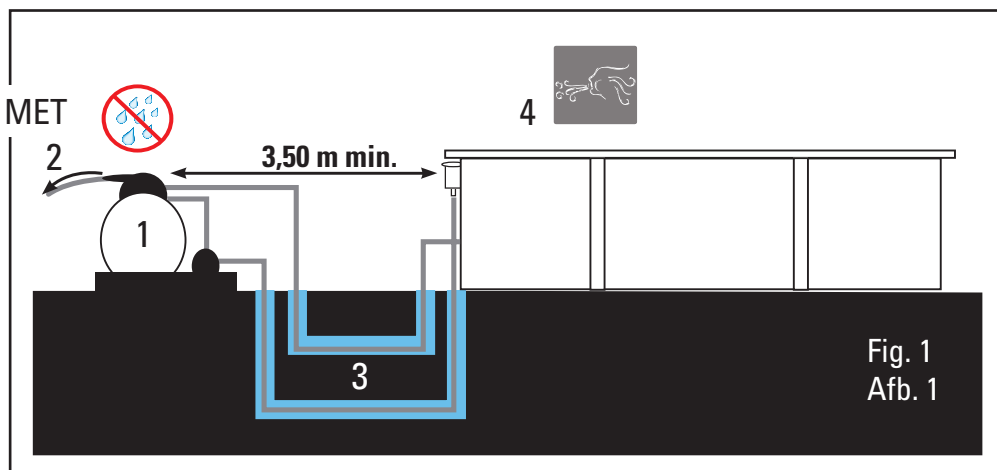
NL

PT

PRECAUZIONI

REKENING HOUDEN MET

PREVISÕES

Fig. 1
Afb. 1

IT

SISTEMA DI FILTRAZIONE

1 Il sistema di filtrazione e in particolare la pompa elettrica della piscina devono essere collocate obbligatoriamente ad una distanza di almeno 3,5 metri dalla vasca (normativa NFC-100).

SVUOTAMENTO DELL'ACQUA

2 La manutenzione e l'invernaggio del filtro necessitano lo svuotamento dell'acqua. È indispensabile prevedere lo svuotamento per installare il sistema di filtrazione.

TUBO DEL FILTRO

3 In caso si vogliano interrare i tubi del filtro, è indispensabile proteggerli dal rischio di deterioramento rivestendoli prima di interrarli.

ORIENTAZIONE DELLA VASCA

4 La vasca va orientata in modo che lo skimmer sia controvento rispetto ai venti dominanti. Lo skimmer è un elemento molto importante nel sistema di filtrazione e si installa sempre controvento rispetto ai venti dominanti. Dalla sua capacità di aspirazione dalla collocazione corretta dipende la qualità della filtrazione dell'acqua della piscina.

Il sistema di filtrazione si deve situare al di sotto del livello della piscina e idealmente al livello del fondo della piscina; altrimenti la pompa corre il rischio di disattivarsi. La pompa di filtraggio deve essere protetta da spruzzi di acqua, inondazioni e dall'umidità, in un luogo asciutto e ben ventilato. In caso contrario, le parti metalliche e il motore della pompa potrebbero deteriorarsi.



NL

FILTERGROEP

De filtergroep en in het bijzonder de elektrische pomp van het zwembad moeten verplicht op een afstand van tenminste 3,5 meter van het bassin worden geplaatst (elektrische standaard NFC-100).

LOZEN VAN WATER

Het onderhoud en het winterklaar maken van het filter vereisen het lozen van water. Het is van het grootste belang rekening te houden met het leg laten lopen alvorens de filtergroep te installeren.

FILTERLEIDING

Indien u de filterleidingen onder de grond wilt plaatsen, is het onontbeerlijk om ze te beschermen tegen het risico op beschadigingen. Voorzie ze van omhulsel voor u ze onder de grond plaatst.

ORIENTATIE VAN HET BASSIN

Het bassin moet zodanig worden geplaatst dat de skimmer zich met het gezicht op de overheersende windrichting bevindt.

De skimmer is een zeer belangrijk element binnen het filtersysteem dat altijd met zijn gezicht op de overheersende wind moet worden geïnstalleerd. De optimale filtering van het zwembadwater hangt af van de zuigcapaciteit en van de juiste plaatsing van de skimmer.

PT

GRUPO DE FILTRAÇÃO

O grupo de filtração, e em especial a bomba elétrica da piscina, devem estar localizados obrigatoriamente a uma distância de pelo menos 3,5 metros do tanque (norma elétrica NFC-100).

EVACUAÇÃO DE ÁGUA

A manutenção e a hibernação do filtro precisam de evacuações de água. É imprescindível prever as evacuações para a instalação do grupo de filtração.

TUBO DE FILTRAÇÃO

No caso de desejar enterrar os tubos de filtração, é indispensável protegê-los contra o risco de deterioração colocando-os num revestimento antes de introduzi-los debaixo da terra.

ORIENTAÇÃO DO TANQUE

O tanque deve ser colocado de tal forma que o skimmer se encontre voltado para os ventos dominantes. O skimmer é um elemento muito importante do sistema de filtração e é sempre instalado voltado para os ventos dominantes. Da capacidade de aspiração e da sua boa localização, depende a filtração ótima da água da piscina.

O grupo de filtração deve ser situado por baixo do nível da piscina e, idealmente, ao nível do solo da piscina; se não, a bomba correrá o risco de se desativar. A bomba de filtração deve ser situada protegida de salpicos de água, de inundações e da humidade, num local seco e bem ventilado. Caso contrário, as peças metálicas e o motor da bomba podem deteriorar-se.

EN

ES

FR

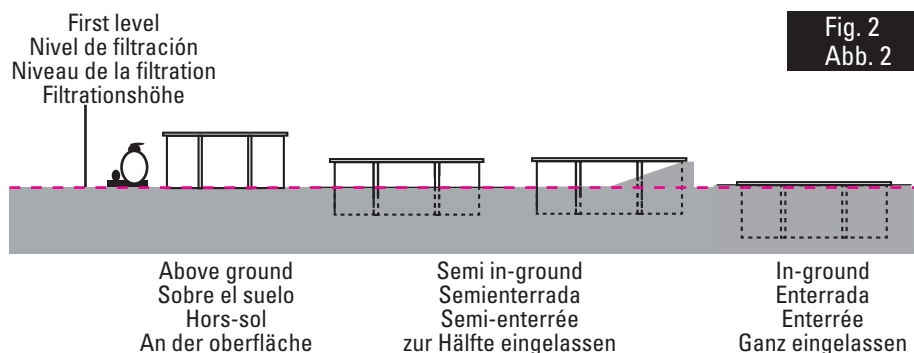
DE

INSTALLATION

INSTALACIÓN

IMPLANTACIÓN

MONTAGE

Fig. 2
Abb. 2

EN This is a determining stage in the construction of your pool. Certain works performed in situ, like the preparation of the land, the concrete slab, the draining... can need the intervention of professionals that will propose the most adequate solutions.

Select the ideal location, in the sunniest spot possible, taking into account the local regulations (distance from the paths, public rights of way, networks...) and the landscaping after installing the pool. Decide the location by marking the ground, check the «Ground layout» section.

Your pool can be installed in these three ways: Fig. 2

Try to not install your pool on recently filled land or unstable land, otherwise, you will need to make a concrete foundation slab. Whatever type of installation you choose, you should excavate and prepare the land for levelling.

Attention: in the case that the land is sloping, you need to excavate it for levelling. Do not add soil to level it.

In the case of assembling your pool above ground, you can use either a bed of sand or a concrete slab. If you choose the bed of sand, use fine and clean sand, otherwise you could stain the liner due to there being algae in the sand. In the case that the pool is semi in-ground or completely in-ground, the installation should be using a concrete foundation slab. If a foundation concrete slab is used this should be at least 10 centimetres thick. The pool is assembled after the concrete foundation slab has completely dried (3 weeks). The filter group should be located below the level of the pool and ideally at floor level of the pool.

ES Es una etapa determinante en la construcción de su piscina. Determinados trabajos de puesta en marcha, como la preparación del terreno, la losa de hormigón, el drenaje... pueden precisar la intervención de profesionales que sabrán proponerle las soluciones adecuadas.

Seleccione el emplazamiento ideal, lo más soleado posible, teniendo en cuenta la normativa local (distancia de la cerca, servidumbres públicas, redes...) y el paisajismo posterior a la instalación de la piscina. Determine el emplazamiento mediante la identificación del suelo, consulte el capítulo «Trazado en el suelo».

Puede instalar su piscina de estas tres formas: Fig. 2

Procure no instalar su piscina en un suelo rellenado recientemente o que no sea estable, de lo contrario será imprescindible la realización de una losa de hormigón. Sea cual sea el tipo de instalación seleccionado, es necesario excavar y preparar el terreno para nivelarlo.

Atención: en caso de terrenos en pendiente, es imprescindible excavarlo para nivelarlo. No añada tierra para nivelar su terreno.

En caso de que monte su piscina en superficie, puede hacerlo bien sobre un lecho de arena o bien sobre una losa de hormigón. Si escoge el lecho de arena, procure elegir una arena fina y limpia, de lo contrario se puede manchar el liner por la aparición de algas en la arena. En caso de que la piscina esté semienterrada o completamente enterrada, la instalación se deberá efectuar sobre una losa de hormigón. Si se realiza una losa de hormigón, esta deberá tener un espesor mínimo de 10 centímetros. El montaje del vaso se realiza una vez se haya secado completamente la losa (3 semanas). El grupo de filtración debe situarse por debajo del nivel de la piscina e idealmente a nivel del suelo de la piscina.

FR C'est une étape déterminante dans la réalisation de votre piscine. Certains travaux de mise en oeuvre tels que le terrassement, la dalle béton, le drainage... peuvent nécessiter l'intervention de professionnels qui sauront proposer les solutions adéquates.

Choisissez l'emplacement idéal, le plus ensoleillé possible, en tenant compte de la réglementation locale (distance des clôtures, servitudes publiques, réseaux...) et de l'aménagement paysager qui suivra l'installation de la piscine. Déterminez l'emplacement par un repérage au sol, voir le chapitre «Tracé au sol».

Vous pouvez implanter votre piscines selon 3 possibilités:

Veillez à ne pas installer votre piscine sur sol récemment remblayé et/ou non stabilisé, à défaut la réalisation d'une dalle béton sera impérative. Quelque soit le type d'implantation retenue, il est nécessaire de décaiper votre terrain et de mettre le terrassement de niveau.

Attention : en cas de terrain en pente, il est impératif de le décaisser pour le mettre de niveau. Ne remblayez pas votre terrain pour le mettre de niveau.

En cas d'implantation hors sol vous pouvez implanter votre piscine soit sur lit de sable soit sur dalle béton. Dans le cas d'une implantation sur lit de sable, veillez à utiliser un sable fin et propre, à défaut, le liner pourrait être taché par l'apparition d'algue dans le sable. En cas d'implantation semi à totalement enterrée, l'implantation devra être faite sur une dalle béton. Dans le cas de la réalisation d'une dalle béton, celle-ci doit avoir une épaisseur de 10 cm minimum. Le montage du bassin doit se faire après séchage complet de la dalle (3 semaines). Le groupe filtration doit être en dessous du niveau de l'eau et idéalement au niveau du sol de votre piscine.

DE Dies ist eine entscheidende Etappe beim Aufbau Ihres Pools. Bestimmte Arbeiten bei der Inbetriebnahme, wie etwa Geländevorbereitung, Betonplatte, Entwässerung... können den Einsatz von Fachleuten erforderlich machen, die in der Lage sind, Ihnen geeignete Lösungen vorzuschlagen. Wählen Sie den idealen Standort, d. h. so sonnig wie möglich, und berücksichtigen Sie die örtlichen Bestimmungen (Abstand vom Zaun, öffentliche Beschränkungen, Leitungen...) und die Gartengestaltung nach der Aufstellung des Pools. Bestimmen Sie den Standort mittels Kennzeichnung des Bodens, siehe Kapitel „Aufzeichnen auf dem Boden“.

Den Pool können Sie auf folgende drei Arten aufstellen bzw. einbauen: Abb. 2

Vermeiden Sie es, den Pool in kürzlich aufgefüllten Boden oder Boden, der nicht stabil ist, einzubauen, andernfalls wird das Aufstellen einer Betonplatte unerlässlich sein. Unabhängig von der Art des ausgewählten Einbaus ist es erforderlich, zu graben und das Gelände vorzubereiten, um es einzuebnen.

Achtung: bei abschüssigem Gelände ist es unerlässlich, den Boden umzugraben, um das Gelände einzuebnen. Geben Sie keinen Boden hinzu, um das Gelände einzuebnen. Wenn Sie den Pool an der Oberfläche aufstellen, kann dies entweder auf einem Sandbett oder auf einer Betonplatte erfolgen. Wenn Sie ein Sandbett wählen, nehmen Sie feinen und sauberen Sand, andernfalls kann der Liner durch das Auftreten von Algen im Sand beschmutzt werden. Wird der Pool halb oder ganz eingelassen, muss der Einbau auf einer Betonplatte erfolgen. Wird eine Betonplatte eingesetzt, muss diese mindestens 10 Zentimeter stark sein. Der Einbau des Beckens erfolgt, nachdem die Platte ganz getrocknet ist (3 Wochen). Das Filtrationsaggregat muss unterhalb der Ebene des Pools und idealerweise ebenerdig vom Pool platziert werden.

IT

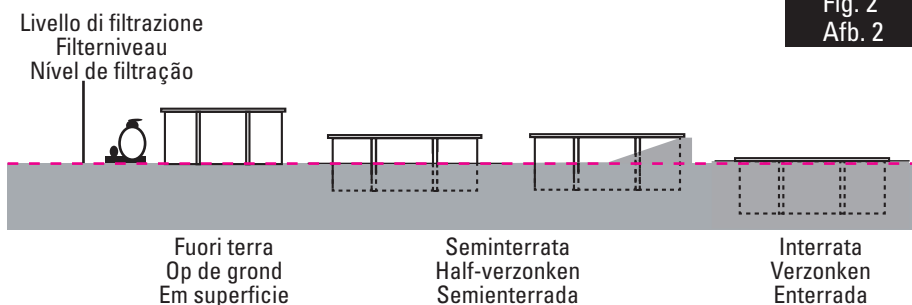
INSTALLAZIONE

NL

INSTALLATIE

PT

INSTALAÇÃO

Fig. 2
Afb. 2

IT

È un passaggio determinante nella costruzione della piscina. Determinati lavori di messa in funzione, come la preparazione del terreno, il basamento di calcestruzzo, il drenaggio... possono necessitare l'intervento di professionisti che proporranno le soluzioni adeguate. Scegliere la collocazione ideale, il più possibile soleggiata, considerando la normativa locale (distanza dal confine, servitù pubbliche, reti...) e l'aspetto del paesaggio successivo all'installazione della piscina.

Determinare la collocazione tramite l'identificazione del terreno, consultare il capitolo «Tracciatura nel terreno».

Puoi installare la piscina di uno di questi tre modi: Fig. 2

Il sistema di filtrazione si deve situare al di sotto del livello della piscina e idealmente al livello del fondo della piscina; altrimenti la pompa corre il rischio di disattivarsi. La pompa di filtraggio deve essere protetta da spruzzi di acqua, inondazioni e dall'umidità, in un luogo asciutto e ben ventilato. In caso contrario, le parti metalliche e il motore della pompa potrebbero deteriorarsi.

Non installare la piscina su un terreno riempito di recente o che non sia stabile, altrimenti sarà necessario realizzare un basamento di calcestruzzo. Qualsiasi sia il tipo di installazione scelto, è necessario scavare e preparare il terreno per livellarlo. Attenzione: in caso di terreno in pendenza, è necessario scavare per livellarlo. Non aggiungere terra per livellare il terreno.

Se monti la piscina fuori terra, puoi farlo su un letto di sabbia o su un basamento in calcestruzzo. Se si sceglie il letto di sabbia, si deve scegliere una sabbia fina e pulita, altrimenti si può macchiare il liner a causa della formazione di alghe nella sabbia.

Se la piscina è seminterrata o completamente interrata, l'installazione dovrà essere effettuata su un basamento di calcestruzzo.

Se si realizza un basamento di calcestruzzo, questo dovrà avere uno spessore minimo di 10 centimetri. Il montaggio della vasca va effettuato quando il basamento è completamente secco (questo avviene in circa 3 settimane). Il sistema di filtrazione si deve situare al di sotto del livello della piscina e idealmente al livello del fondo della piscina

NL

Dit is een bepalende fase tijdens de aanleg van uw zwembad. Er moet worden aangevangen met een aantal werkzaamheden, zoals de voorbereiding van het terrein, de betonvloer, de afvoer... dit kan vragen om de hulp van professionals die weten hoe ze de juiste oplossingen moeten uitvoeren.

Kies een ideale plaats uit, zo zonnig mogelijk, maar houd daarbij rekening met de plaatselijke normen (afstand tot de grondscheiding, publieke erfdiensbaarheid, leidingnetwerken...) en de landschapsinrichting na installatie van het zwembad.

Bepaal de plaatsing aan de hand van de grondverkenning, waarover u leest in het hoofdstuk «Grondlijnen uitzetten».

U kunt uw zwembad op deze drie manieren installeren: Afbeelding 2

De filtergroep moet zich onder de waterspiegel van het zwembad bevinden en idealiter op gelijk niveau met de zwembadvloer; zoniet loopt u het risico dat de pomp zich uitschakelt. De filterpomp moet zo worden geplaatst dat hij beschermd is tegen voor waterspatten, overstromingen en vochtigheid, op een droge plek en goed geventileerd. Als dit niet gebeurt, kunnen de metalen onderdelen en de motor van de pomp schade oplopen. Vermijd het installeren van uw zwembad in recent aangevulde of onstabiele grond, in welk geval het van het grootste belang zal zijn om een betonvloer aan te leggen. Welk type installatie u ook kiest, zal het nodig zijn om het terrein uit te graven en het voor te bereiden om te effenen. Let op: in geval van hellende terreinen, is het van het grootste belang het af te graven om het terrein vlak te maken. Voeg geen grond toe aan uw terrein. Indien u uw zwembad aan het grondoppervlak monteert, kunt u dat het beste doen op een zandbed of beter nog een betonvloer. Als u kiest voor het zandbed, kies dan voor zand dat fijn en schoon is, anders kunnen er vlekken op de liner komen doordat er algen kunnen ontstaan in het zand.

Indien het zwembad halfverdiept of geheel verdiept wordt aangelegd, moet de installatie op een betonvloer worden uitgevoerd.

Als u een betonvloer aanlegt, moet deze een dikte van minsten 10 centimeter hebben. De montage van het bassin kan worden uitgevoerd nadat het beton volledig is uitgehard (3 weken). De filtergroep moet zich onder de waterspiegel van het zwembad bevinden en bij voorkeur op het net niveau van de bodem van het zwembad.

PT

É uma etapa determinante na construção da sua piscina. Determinados trabalhos de colocação em funcionamento, como a preparação do terreno, a laje de betão, a drenagem... podem precisar da intervenção de profissionais que saberão propor-lhe as soluções adequadas.

Selecione a localização ideal, o mais soalheira possível, tendo em conta o regulamento local (distância da vedação, serviços públicos, redes...) e o paisagismo posterior à instalação da piscina.

Determine a localização através da identificação do solo, consulte o capítulo «Traçado no solo».

Pode instalar a piscina destas três formas: Figura 2

O grupo de filtração deve ser situado por baixo do nível da piscina e, idealmente, ao nível do solo da piscina; se não, a bomba correrá o risco de se desativar. A bomba de filtração deve ser situada protegida de salpicos de água, de inundações e da humidade, num local seco e bem ventilado. Caso contrário, as peças metálicas e o motor da bomba podem deteriorar-se.

Tente não instalar a piscina num solo enchido recentemente ou que não seja estável, ou, caso contrário, será imprescindível a realização de uma laje de betão. Seja qual for o tipo de instalação selecionado, é necessário escavar e preparar o terreno para nivelá-lo.

Atenção: em caso de terrenos em declive, é imprescindível escavá-lo para nivelá-lo. Não adicione terra para nivelar o terreno.

Caso monte a piscina em superfície, pode fazê-lo quer sobre um leito de areia ou sobre uma laje de betão.

Se escolher o leito de areia, deverá escolher uma areia fina e limpa, ou, caso contrário, o liner poderá manchar-se pelo surgimento de algas na areia.

No caso de a piscina se encontrar semienterrada ou completamente enterrada, a instalação deverá ser efetuada sobre uma laje de betão.

Se for realizada uma laje de betão, esta deverá ter uma espessura mínima de 10 centímetros. A montagem do tanque será realizada após a laje ter secado completamente (3 semanas). O grupo de filtração deve ser situado por debaixo do nível da piscina e, idealmente, ao nível do solo da piscina.



Take the reference number of your pool into account when you do the assembly
Tenga en cuenta la referencia de su piscina a la hora de realizar el montaje
Considérez la référence et les mesures de votre piscine avant de procéder au montage
Bitte beachten Sie die Referenz und die Masse Ihres Schwimmbads, wenn Sie die Montage ausführen
Tener presente il codice di riferimento della piscina al momento del montaggio
Op het moment van monteren dient u rekening te houden met de referentie en de afmetingen van uw zwembad
Tenha em conta a referência da piscina momento de realizar a montagem

EN TOOLS

• **1 screwdriver** (with Torx point No. T15, T20, T25) • **1 drill** with bits for wood Ø4, Ø6 and Ø10, for concrete Ø10 and for metal Ø5
• **1 cutter** • **1 spirit level** • **1 decametre** • **1 mallet** • **1 hammer** • **1 screwdriver** • **1 No. 19 spanner** • **1 hacksaw** • **1 saw for wood** • **1 ballpoint pen** • **PVC adhesive** • **Roll of Teflon** • **Two-faced adhesive tape or stapler** • **Gloves** • **Seal closer**
Assembly time (besides land preparation and filling) **2 days with at least 2 persons.**

ES HERRAMIENTAS

• **1 destornillador** (con cabeza torx N° T15, T20, T25) • **1 taladro** con brocas para madera Ø4, Ø6 y Ø10, para hormigón Ø10 y para metal Ø5 • **1 cúter** • **1 nivel de burbuja** • **1 decámetro** • **1 mazo** • **1 martillo** • **1 destornillador** • **1 llave 19** • **1 sierra para metal** • **1 sierra para madera** • **1 bolígrafo** • **Adhesivo PVC** • **Rollo de Téflon** • **Adhesivo de doble cara o grapadora** • **Guantes** • **Cierra juntas**
Tiempo de montaje (aparte de la preparación del terreno y del llenado): **2 días con 2 personas mínimo**

FR OUTILLAGE

• **1 visseuse** (avec embouts torx N° T15, T20, T25) • **1 perceuse** avec forets à bois Ø4, Ø6 et Ø10 et foret métal Ø5 • **1 cutter** • **1 niveau à bulle** • **1 décimètre** • **1 maillet** • **1 marteau** • **1 tournevis** • **1 clé de 19** • **1 scie à métaux** • **1 scie à bois** • **1 stylo à bille** • **Colle PVC** • **Rouleau Téflon** • **Adhésif double face ou agrafeuse** • **Gants** • **Serre-joint**
Temps de montage (hors terrassement et remplissage): **2 journées à 2 personnes minimum**

DE WERKZEUGE

• **1 Schraubendreher** (mit Torx-Kopf Nr. T15, T20, T25) • **1 Bohrmaschine** mit Bohrern für Holz Ø4, Ø6 und Ø10, für Beton Ø10 und Metall Ø5 • **1 Cutter** • **1 Wasserwaage** • **1 Dekameter** • **1 Vorschlaghammer** • **1 Hammer** • **1 Schraubenzieher** • **1 19er-Schlüssel** • **1 Metallsäge** • **1 Holzsäge** • **1 Kugelschreiber** • **PVC-Kleber** • **Rolle Teflonband** • **Doppelseitiges Klebeband oder Hefter** • **Handschuhe** • **Schraubzwinge**
Montagezeit (neben der Vorbereitung des Geländes und der Befüllung): **Mindestens 2 Tage mit 2 Personen**

IT STRUMENTI

• **1 cacciavite** (torx N° T15, T20, T25) • **1 trapano** con punte per legno Ø4, Ø6 e Ø10, per calcestruzzo Ø10 e per metallo Ø5 • **1 taglierino** • **1 livella** • **1 decametro** • **1 mazza** • **1 martello** • **1 cacciavite** • **1 chiave 19**
• **1 sega per metalli** • **1 sega per legno** • **1 penna** • **Adesivo PVC** • **Rotolo di nastro adesivo in teflon** • **Nastro biadesivo o cucitrice** • **Guanti** • **Morsetti**
Tempo del montaggio (a parte la preparazione del terreno e il riempimento) **2 giorni con almeno 2 persone**

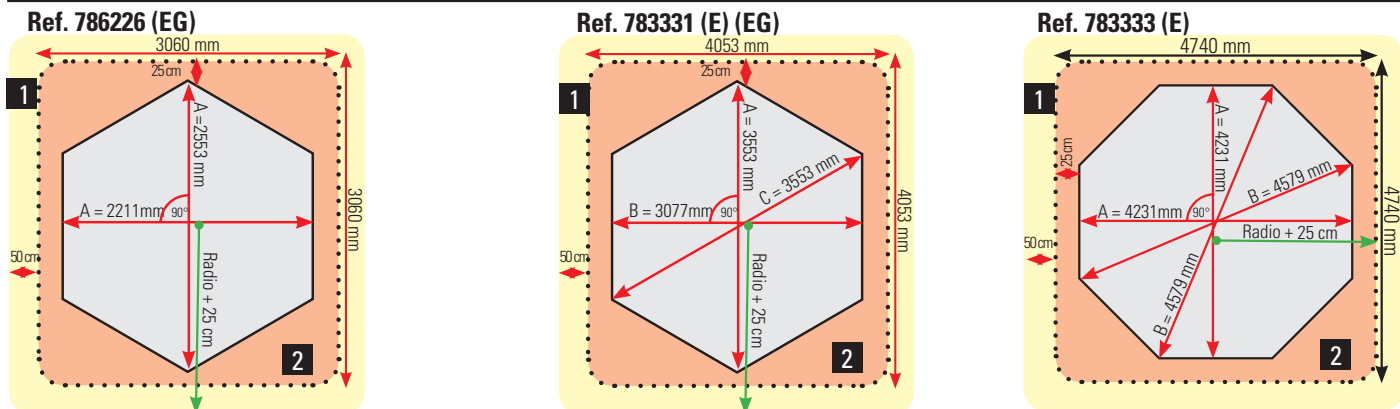
NL GEREEDSCHAPPEN

• **1 elektrische schroefboor** (met torx-koppen N° T15, T20, T25) • **1 boormachine** met boren voor hout Ø4, Ø6 en Ø10, voor beton Ø10 en voor metaal Ø5 • **1 stanleymes** • **1 waterpas** • **1 meetlint** • **1 rubberen hamer**
• **1 hamer** • **1 schroevendraaier** • **1 sleutel 19** • **1 ijzerzaag** • **1 houtzaag** • **1 ballpoint** • **PVC-plakband**
• **Teflontape (PTFE tape)** • **Dubbelzijdig plakband of nietpistool** • **Handschoenen** • **Lijmklem**
Montagetijd (los van de voorbereiding van het terrein en het vullen): **2 dagen met minstens 2 personen**

PT FERRAMENTAS

• **1 chave de fendas** (com cabeça torx N.º T15, T20, T25) • **1 trado** com brocas para madeira Ø4, Ø6 e Ø10, para betão Ø10 e para metal Ø5 • **1 estilete** • **1 nível de bolha de ar** • **1 decâmetro** • **1 maço** • **1 martelo**
• **1 chave de fendas** • **1 chave 19** • **1 serra para metal** • **1 serra para madeira** • **1 esferográfica** • **Adesivo PVC**
• **Rolo de Teflão** • **Adesivo de face dupla ou agrafador** • **Luvás** • **Aperta-juntas**
Tempo de montagem (para além da preparação do terreno e do enchimento): **2 dias com 2 pessoas no mínimo**

GROUND LAYOUT - TRAZADO EN EL TERRENO - TRACÉ AU SOL



1 Surrounding area
 Zona periférica
 Zone périphérique

Fig. 3

2 Concrete slab: provide for additional 25cm.
 Losa de hormigón: prevea un perímetro adicional de 25cm.
 Dalle béton : prévoir 25cm supplémentaires en périphérie.

EN CONCRETE SLAB:
 Provide for an additional 25 cm.

INTERIOR DIMENSIONS:

Mark the shape of your pool on the ground using the previous dimensions. The marking can be done by using a cord.

⚠ If your pool is fully or partially in-ground, provide the excavation for an area of 50 cm additional to the perimeter to facilitate your movements during assembly.

CONCRETE FOUNDATION SLAB:

The installation of your pool requires preparing a concrete foundation slab reinforced with fibres or with welded lath. The concrete should be 350 kg/m³ (standardized C125 430). We recommend to ask a professional to prepare the foundation slab.

⚠ If the installation is fully or partially in-ground, try to remove all the fragments of wood, branches or roots that could become degraded with time. Do not install any formwork around the pool or near it with wood that is not treated for installation in contact with the ground. Do not apply any additional treatment to the in-ground part, for example, applying tar or non-micro porous varnish is prohibited. Make sure that the wood can «breathe», check the «Preparing the land» chapter.

ES LOSA DE HORMIGÓN:
 Prevea un perímetro adicional de 25 cm.

DIMENSIONES INTERIORES:

Trace en el suelo la forma de su piscina ayudándose de las dimensiones anteriores. Puede efectuar el trazado con ayuda de una cuerda.

⚠ Si su piscina está completa o parcialmente enterrada, prevea la excavación de una zona de 50 cm adicionales en el perímetro para facilitar sus movimientos durante el montaje.

PLACA DE HORMIGÓN:

La instalación de su piscina implica la construcción de una losa de hormigón armado con fibras o de mallazo soldado. El hormigón debe ser de 250 kg/m³ (normalizado C125 430).

⚠ Si se trata de una instalación parcial o totalmente enterrada, procure retirar todos los fragmentos de madera, ramas o raíces susceptibles de degradarse con el tiempo. No instale un encofrado en torno a la piscina o próximo a ella con una madera que no esté tratada para su instalación en contacto con la tierra. No aplique ningún tratamiento adicional sobre la parte enterrada, por ejemplo, la aplicación de alquitrán o de barniz no micro poroso está prohibida. Cerciórese de que la madera tiene la posibilidad de «respirar», consulte el capítulo «Preparación del terreno».

FR DALLE BÉTON :
 Prévoir 25cm supplémentaires en périphérie.

DIMENSIONS INTÉRIEURE :

Tracez au sol la forme de votre piscine en vous aidant des dimensions ci-dessus. Vous pourrez réaliser votre traçage à l'aide d'un cordeau.

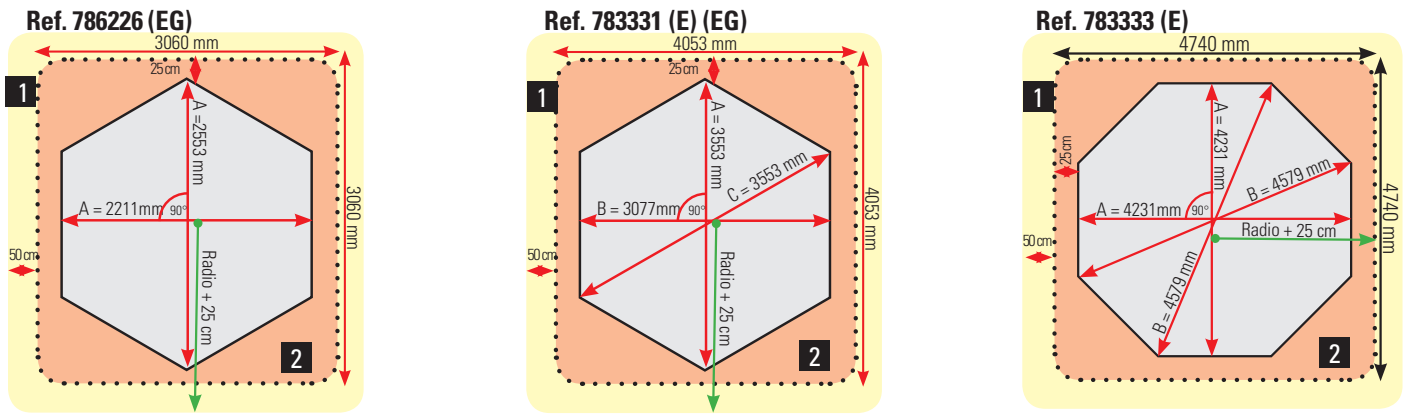
⚠ Si votre piscine est totalement ou partiellement enterrée, prévoyez de décaisser une zone de 50 cm supplémentaires en périphérie pour faciliter vos mouvements lors du montage.

CHAPE BÉTON :

L'implantation de votre piscine implique la réalisation d'une dalle en béton armé de bres ou d'un treillis soudé. Votre béton doit être dosé à 350kg/m³ (normée type C125 430). Nous vous recommandons de faire appel à un professionnel pour la réalisation de votre dalle.

⚠ En cas d'implantation semi- à totalement enterrée, veillez à éliminer tout morceau de bois, branche, racine, susceptible de se dégrader dans le temps. Ne réalisez pas de co rage autour ou proche de la piscine avec un bois non traité pour une implantation au contact de la terre. N'appliquez aucun traitement supplémentaire sur la partie enterrée, l'application par exemple de goudron ou de lasure non microporeuse est à proscrire. Assurez au bois la possibilité de « respirer », voir chapitre terrassement.

ABSTECKEN AUF DEM BODEN - TRACCIATURA NEL SUOLO - GRONDLIJNEN UITZETTEN - TRAÇADO NO SOLO



1 Randbereich
Zona periferica
Zone buitenrand
Zona periférica

2 Betonplatte: sehen Sie am Rand zusätzlich 25 Zentimeter in der Länge und 50 Zentimeter in der Breite vor.
Basamento in calcestruzzo: predisporre un perimetro addizionale di 25cm.
Betonvloer: voorzie in een extra omtrek van 25cm in de lengte en 50cm in de breedte.
Laje de betão: deverá prever um perimetro adicional de 25cm.

Fig. 3 / Abb. 3 / Afb. 3

DE BETONPLATTE:

sehen Sie am Rand zusätzlich 25 Zentimeter in der Länge und 50 Zentimeter in der Breite vor.

INNENABMESSUNGEN:

Zeichnen Sie am Boden die Form des Pools mit Hilfe der oben genannten Maße auf. Für das Abstecken können Sie eine Schnur zu Hilfe nehmen.

Wird der Pool teilweise oder ganz eingelassen, sehen Sie am Rand den Aushub eines Bereichs von 50 Zentimetern zusätzlich vor, um Ihre Bewegungen beim Einbau zu erleichtern.

BETONPLATTE:

Der Einbau Ihres Pools umfasst den Bau einer Stahlbetonplatte mit Fasern oder einer geschweißten Bewehrungsmatte. Der Beton muss 350 kg/m³ (standardisiert C125 430) sein. Wir empfehlen Ihnen, sich für den Bau der Platte an einen Fachmann zu wenden.

Wird Ihr Pool teilweise oder ganz eingelassen, entfernen Sie alle Holzteile, Zweige oder Wurzeln, die mit der Zeit anfällig für ein Vermodern sein können. Bringen Sie um den Pool herum oder in seiner Nähe keine Verschalungen mit Holz an, das nicht für das Aufstellen in Kontakt mit Erde behandelt wurde. Tragen Sie keine zusätzliche Behandlung auf den eingelassenen Teil auf, beispielsweise ist das Auftragen von Teer oder nicht-mikroporösen Lacken verboten. Vergewissern Sie sich, dass das Holz die Möglichkeit hat zu atmen, weitere Infos finden Sie im Kapitel „Gelände Vorbereitung“.

IT BASAMENTO IN CALCESTRUZZO:

Predisporre un perimetro addizionale di 25 cm.

DIMENSIONI INTERNE:

Tracciare nel suolo la forma della piscina aiutandosi con le dimensioni precedenti. La tracciatura può essere effettuata con l'aiuto di una corda.

Se la piscina è completamente o parzialmente interrata, si deve predisporre lo scavo di un'area di 50 cm in più nel perimetro per facilitare i movimenti durante il montaggio.

BETONPLATTE:

L'installazione della piscina implica la costruzione di un basamento di cemento armato con fibre o una rete saldata. Il calcestruzzo deve essere di 350 kg/m³ (standard C125 430). Raccomandiamo di rivolgersi a un professionista per la costruzione del basamento.

Se si tratta di un'installazione parzialmente o totalmente interrata, eliminare tutti i frammenti di legno, rami o radici che potrebbero degradarsi con il tempo. Non installare una cassaforma sulla piscina o vicino ad essa con un legno che non sia stato trattato per essere installato a contatto con la terra. Non applicare nessun trattamento ulteriore sulla parte interrata, ad esempio, è vietato applicare catrame o vernice non micro porosa. Assicurarsi che il legno possa respirare, consultare il capitolo «Preparazione del terreno».

NL BETONVLOER:

Voorzie in een extra omtrek van 25 cm in de lengte en 50 cm in de breedte.

AFMETINGEN BINNENZIJDE:

Zet de vorm van uw zwembad uit op de grond waarbij u gebruik maakt van de eerder genoemde afmetingen. U kunt daarbij gebruik maken van latten en touw.

Als uw zwembad geheel of gedeeltelijk verdiept wordt aangelegd, zorg dat er een extra 50 cm van de omtrek wordt uitgegraven voor meer bewegingsvrijheid tijdens de montage.

BETONPLAAT:

De installatie de uw zwembad vereist het aanleggen van een gewapende betonvloer met vezels of gelaste betonvlecht. Het beton moet 350 kg/m³ wegen (normering C125 430). We raden u aan contact op te nemen met een aannemer voor de aanleg van de plaat.

Indien de installatie deels of geheel verzonken is, dienen alle resten te verwijderen van hout, takken of wortels die gevoelig zijn om met de tijd te vergaan. Leg rondom het zwembad of daar vlakbij geen bekisting aan van een houtsoort die niet is behandeld voor gebruik waarbij het in contact komt met de aarde. Pas op het deel dat ondergronds komt geen extra behandeling toe. Het aanbrengen van teer of vernis die niet microporeus is, is niet toegestaan. Verzeker u ervan dat het hout de mogelijkheid heeft om te «ademen», kijk hiervoor in het hoofdstuk «Voorbereiding van het terrein».

PT LAJE DE BETÃO:

Deverá prever um perimetro adicional de 25 cm.

DIMENSÕES INTERIORES:

Trace no solo a forma da piscina ajudando-se das dimensões anteriores. Pode efetuar o traçado com a ajuda de uma corda

Se a piscina estiver completa ou parcialmente enterrada, deverá prever a escavação de uma zona de 50 cm adicionais no perimetro para facilitar as suas deslocações durante a montagem.

PLACA DE BETÃO:

A instalação da piscina implica a construção de uma laje de betão armado com fibras ou de malha soldada. O betão deve ser de 350 kg/m³ (normalizado C125 430). Recomendamos que recorra a um profissional para a construção da laje.

Se se tratar de uma instalação parcial ou totalmente enterrada, tente retirar todos os fragmentos de madeira, ramos ou raízes passivos de se degradarem com o decorrer do tempo. Não instale uma cofragem em torno da piscina ou próxima dela com uma madeira que não esteja tratada para a sua instalação em contacto com a terra. Não aplique qualquer tratamento adicional sobre a parte enterrada; por exemplo, a aplicação de alcatrão ou de verniz não microporoso é proibida. Certifique-se de que a madeira tem a possibilidade de «respirar»; consulte o capítulo «Preparação do terreno».

PREPARING THE LAND

The recommendations about the construction for completely or partially in-ground pools are effective in the context of an installation in land which is not humid. You should conveniently adapt the basic instructions to avoid the restrictions related to the type of land (clay for example) or to the excessive presence of water in the ground, (sources, run-off rainwater...). In order to avoid any excess humidity in your land, you should install a draining system under the pool, and around it by building a decompression well and around it by building a decompression well. In all cases, an adapted draining system is necessary to avoid water stagnation with the possible consequences of ground contamination including the deterioration of the structure (rooting of the wood, deformation of the structure...). To guarantee quality planning, you can consider any information from a specialist as very important.

UNACCEPTABLE LOCATION: Sloping, uneven ground. Sandy, rocky or soggy ground.

MARK THE INSTALLATION AREA

Once the location area is chosen (which have to be perfectly levelled), we'll proceed at the marking. You've got 2 options for that :

- To prepare a concrete platform (cement, ...) with the necessary measure according to your swimming-pool size.

- Directly on the ground: To mark the ground using wood pickets, screwdriver, funnel (or plastic bottle), flour or lime and a rope.

It is advisable to level the total surface area necessary before marking it (marking should be centered on the rectangle corresponding to the pool model) so that assembly work is more convenient and easy.

In order to avoid any excess humidity in your land, you should install a draining system under the pool, and around it by building a decompression well.

LEVELLING

When levelling the ground, always remove material from the top of the slope rather than filling in the bottom: this will ensure greater ground stability and firmness. Always remove all grass, roots, stones, etc. Levelling is extremely important: devoting the necessary time and effort to ensuring that your pool sits properly on the ground will avoid problems later.

How to level: thanks to a large mason rule (aluminium or wood) and a level, level out the ground forming rectangles (or squares), locating this rule in the selected and cleaned area. When all the areas are on level and when the excess of ground is removed, you may fill in the small areas which are left to level out (with clean ground or sand) but always compacting and levelling again afterwards. It is very important the installation area is well-compressed and firm in order the ground do not subside when the pool will be full of water. Please ask a professional: builder, gardener...

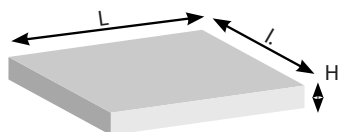
Finishing: On the cleaned and levelled ground, spread a light coat of sieved sand (max. 1cm).

Water and compact it (with a garden roller). Check that is well levelled.

Do not use the sand to level the ground. The finishing has to be perfect.

Important: in the case of being non-stable land, you should make a concrete slab instead of a bed of sand.

The bag should be perfectly flat and smooth, to avoid any imperfection.



We recommend to ask a professional to prepare the foundation slab.

The concrete slab is not included.

Dosing 350 kg/m³ (standardized type C125 430)

Ref. 786226 (EG) L: 3,06 x W: 3,06 x H: 0,10 m - 0,94 m³ of concrete

Ref. 783333 (E) L: 4,74 x W: 4,74 x H: 0,10 m - 2,25 m³ of concrete.

Ref. 783331 (E) (EG) L: 4,06 x W: 4,06 x H: 0,10 m - 1,65 m³ of concrete.

PARTIAL OR COMPLETELY IN-GROUND INSTALLATION

According to the nature of the land, you should install a peripheral drainage and connect it to a decompression well. The well will be excavated before the construction of the pool to avoid that the excavations fill with water during the works. It should be near the pool, a few centimetres lower than the deepest point of the same and reach up to the surface. The decompression well is located at the most humid point. It acts as an overflow in the case of water infiltrations or clay soil, starting from the fact that water rises quicker through a tube than through the soil.

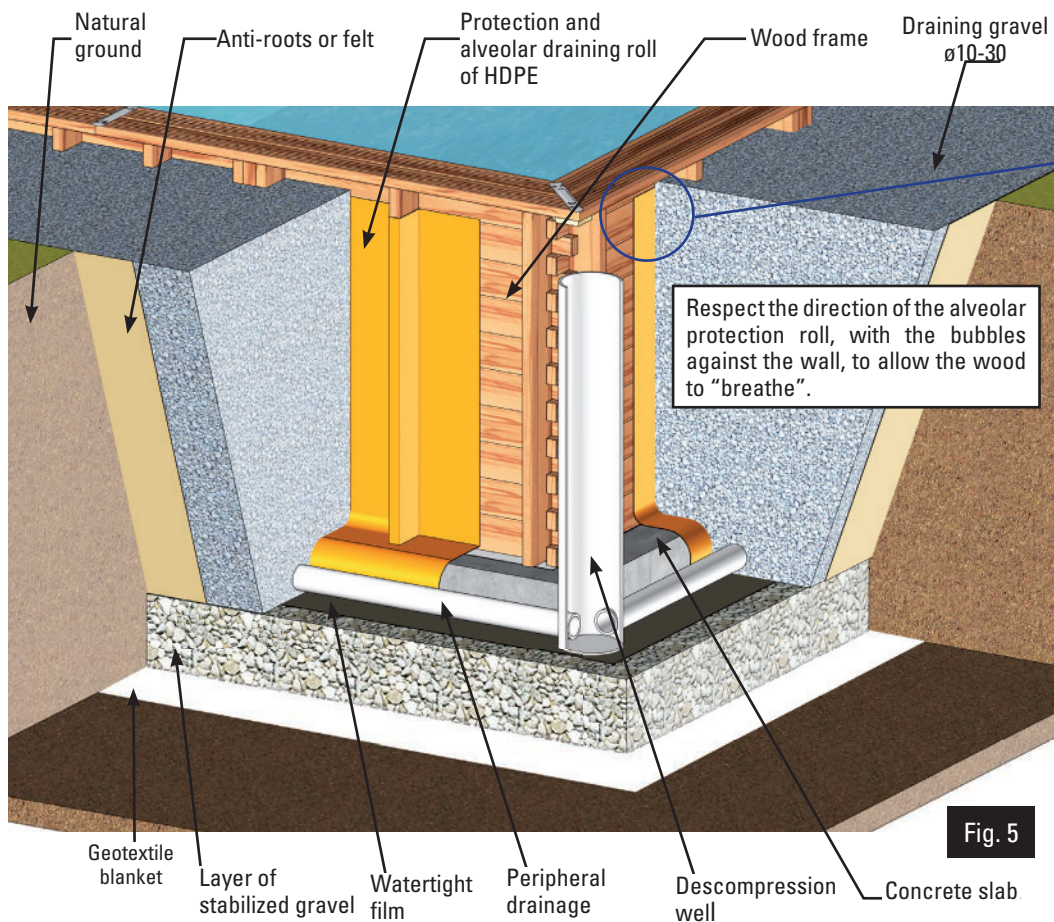


Fig. 5

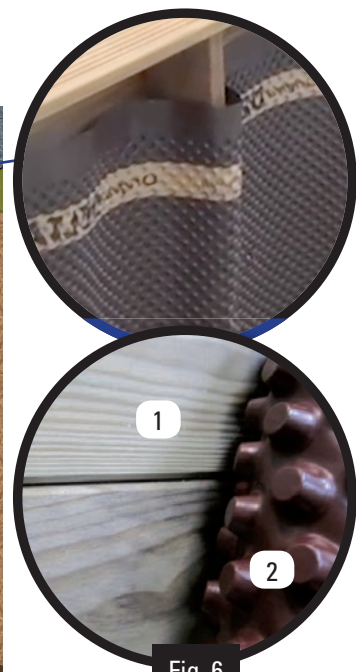


Fig. 6

1- Wood frame
2- Roll of alveolar protection and drainage of HDPE

PREPARACIÓN DEL TERRENO

Las recomendaciones sobre la construcción para las piscinas total o parcialmente enterradas son efectivas en el contexto de una instalación en un terreno que no sea húmedo. Es conveniente que se adapten las instrucciones básicas para evitar las restricciones relativas al tipo de terreno (arcilla por ejemplo) o a la presencia excesiva de agua en el suelo (fuentes, escorrentías...). Con el fin de evitar cualquier exceso de humedad en su terreno, es necesario instalar un sistema de drenaje bajo la piscina y alrededor de ella con la construcción de un sistema de evacuación adaptado para evitar el estancamiento del agua con las posibles consecuencias de contaminación del suelo incluso el deterioro de la estructura (podredumbre de la madera, deformación de la estructura,...). Para garantizar una planificación de calidad, puede considerarse muy valiosa la información de un especialista.

NO MONTAR NUNCA EN: Terreno inclinado, desigual, arenoso, con piedras ó blando.

MARCAR ZONA DE INSTALACIÓN

Una vez escogida la zona de ubicación de la piscina (que debe estar perfectamente nivelada) procederemos al marcaje. Para ello tiene Ud. dos opciones:

- Preparar una plataforma de hormigón (cemento, etc.) de la medida necesaria según dimensiones de su piscina.
- Directamente sobre el terreno previa preparación que detallamos a continuación: Para marcar el terreno ayúdese de estacas de madera, destornillador, embudo (ó botella de plástico), harina ó cal y una cuerda.

Se aconseja nivelar la superficie total necesaria antes del marcaje (que debe quedar centrado en el rectángulo correspondiente al modelo de la piscina) para que en el montaje se trabaje más cómodo y con holgura.

Con el fin de evitar cualquier exceso de humedad en su terreno, es necesario instalar un sistema de drenaje bajo la piscina y alrededor de ella con la construcción de un pozo de descompresión.

NIVELAR

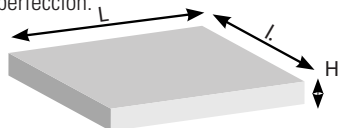
En caso de nivelar el terreno nunca añadiremos tierra donde falta, siempre cavaremos donde sobra. De ésta forma garantizaremos la estabilidad del terreno, su firmeza. En cualquier caso eliminaremos todas las hierbas, raíces, piedras, etc...El proceso de nivelado del terreno es muy importante, dedíquele el tiempo y atención necesarios para que su piscina se asiente perfectamente en el terreno elegido y evitará problemas.

Como nivelar: Con reglas ó " listones " de madera largos, sitúelos enterrándolos en la zona elegida y limpia, formando rectángulos (ó cuadrados) nivelados entre sí, por medio de una regla de albañil (aluminio) y un nivel. Cuando estén todos los " listones " a nivel y retirada la tierra donde sobre, podrá rellenar, las pequeñas zonas que falten de nivelar (con tierra limpia ó arena) pero siempre compactando y nivelando a continuación. Es importante que quede bien firme para que no se hunda el terreno cuando tenga la piscina llena de agua. Consulte con un profesional: Constructor, jardinero, etc.

Acabado: Encima del terreno limpio y nivelado esparciremos una fina capa (max.1 cm) de arena tamizada. Lo regaremos y compactamos (con un rodillo de jardín). Verificamos que esté bien nivelado. No usar la arena para nivelar el terreno. El acabado debe ser perfecto.

Importante: en caso de que se trate de terreno no estabilizado, es obligatorio la construcción de una losa de hormigón el lugar del lecho de arena.

La losa deberá estar perfectamente alisada y suavizada, para evitar cualquier imperfección.



Le recomendamos que acuda a un profesional para la construcción de la losa.

La losa de hormigón no está incluida.

Dosificado 350 kg/m³ (normalizado tipo C125 430)

Ref. 786226 (EG) L: 3,06 x A: 3,06 x AL: 0,10 m - 0,94 m³ de hormigón.

Ref. 783333 (E) L: 4,74 x A: 4,74 x AL: 0,10 m - 2,25 m³ de hormigón.

Ref. 783331 (E) (EG) L: 4,06 x A: 4,06 x AL: 0,10 m - 1,65 m³ de hormigón.

INSTALACIÓN PARCIAL O COMPLETAMENTE ENTERRADA

Según la naturaleza del terreno, es importante implantar un drenaje periférico y conectarle un pozo de descompresión. El pozo se cava antes de la construcción de la piscina porque puede evitar igualmente que las excavaciones de llenen de agua durante las obras. Debe estar cerca del vaso, unos centímetros por debajo del punto más profundo del mismo y llegar hasta la superficie. El pozo de descompresión se sitúa en el lado más húmedo. Desempeña la función de sumidero en caso de infiltraciones de agua o de suelo arcilloso, partiendo de que el agua sube de forma más rápida a través del tubo que del suelo.

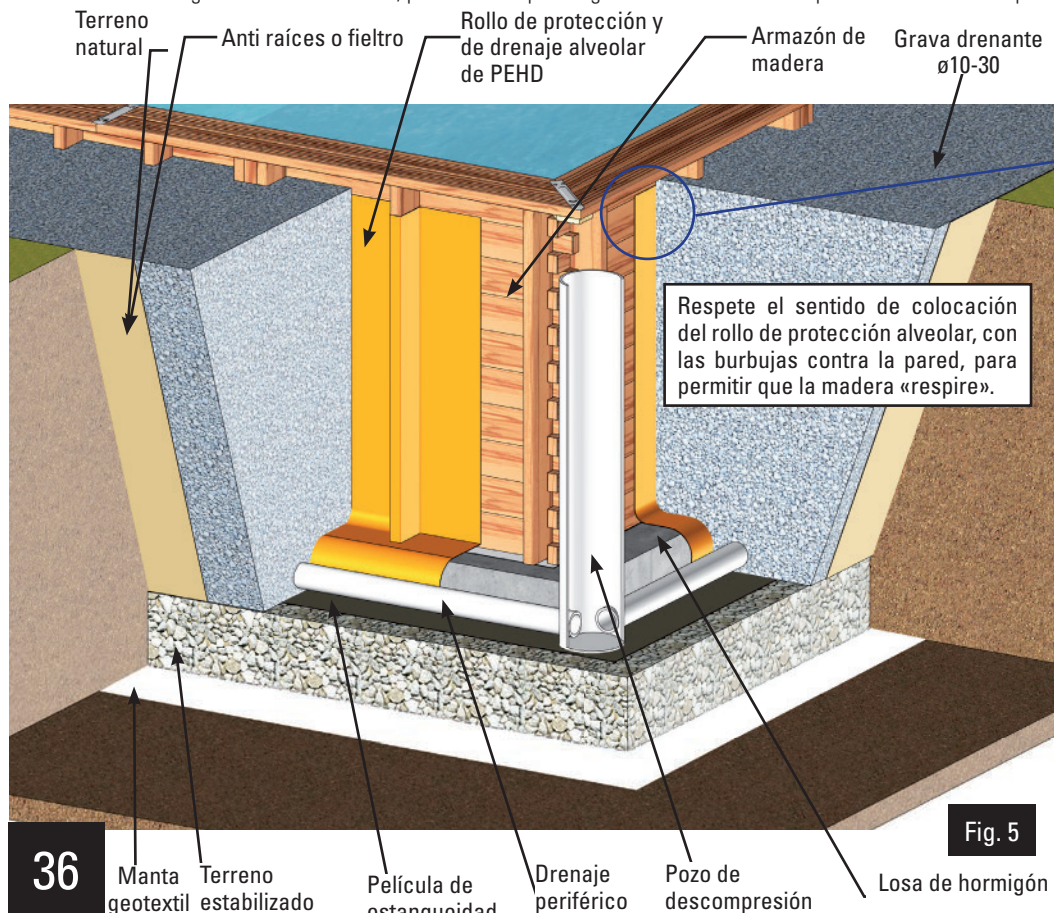


Fig. 5

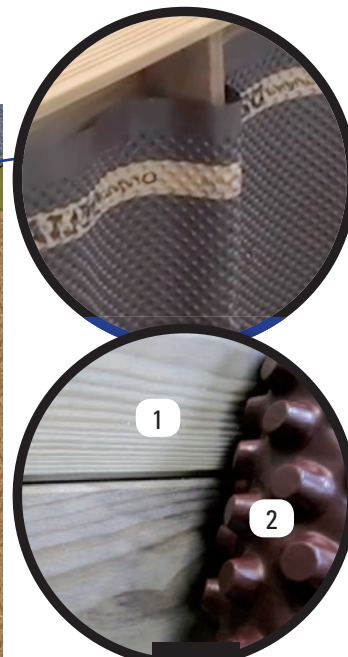


Fig. 6

- 1- Armazón de madera
- 2- Rollo de protección y de drenaje alveolar de PEHD

TERRASSEMENT

Les recommandations sur la mise en oeuvre pour les bassins enterrés ou semi-enterrés sont effectives dans le cadre d'une installation en terrain non humide. Il convient à chacun d'adapter les instructions de base pour éviter des contraintes liées au type de terre (argile par exemple) ou à la présence excessive d'eau dans le sol (source, ruissellement d'eau, ...). Afin d'éviter tout surplus d'humidité sur votre terrain il est nécessaire de mettre en place un système de drainage sous et autour de votre piscine avec et autour de votre piscine avec la réalisation d'un puits de décompression. Dans tous les cas, la présence d'un système d'évacuation adapté est nécessaire de manière à éviter toute stagnation d'eau avec pour conséquences possibles la pollution des sols voire l'endommagement de la structure (pourrissement du bois, déformation de la structure, ...) La prise de renseignements auprès d'un spécialiste peut s'avérer très précieuse pour la garantie d'un aménagement de qualité.

NE JAMAIS MONTER SUR : terrain incliné, inégal, sablonneux, avec des pierres ou mou.

MARQUER LA ZONE D'INSTALLATION

Une fois choisie la zone d'emplacement de la piscine (qui doit être parfaitement nivelée) nous procéderons au marquage. Pour cela, vous avez deux options :

- Préparer une plateforme en béton (ciment, etc.) de la mesure nécessaire selon les dimensions de votre piscine.

- Directement sur le terrain: Marquer le terrain en s'aidant de pieux en bois, tournevis, entonnoir (ou bouteille en plastique), farine ou chaux et une corde. Il est conseillé de niveler la surface totale nécessaire avant le marquage (qui doit rester centré dans le rectangle correspondant au modèle de la piscine) pour que le montage soit plus commode.

Afin d'éviter tout surplus d'humidité sur votre terrain, il est nécessaire de mettre en place un système de drainage sous et autour de votre piscine avec la réalisation d'un puits de décompression.

NIVELER

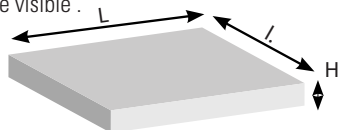
Dans le cas de nivellement du terrain, ne jamais rajouter de terre aux endroits où il en manque, toujours creuser aux endroits où il y en a en trop. Ainsi, nous garantirons la stabilité du terrain, sa fermeté. Dans tous les cas, éliminez toutes les herbes, racines, pierres, etc... Le procédé de nivellement du terrain est très important, accordez lui le temps et l'attention nécessaires pour que votre piscine soit parfaitement installée sur le terrain choisi et cela évitera des problèmes.

Comment niveler: à l'aide d'une longue règle de maçon (aluminium ou bois) et d'un niveau, niveler le terrain en formant des rectangles (ou carrés), en plaçant cette règle dans la zone choisie et propre. Lorsque toutes les zones seront de niveau et que la terre en surplus aura été enlevée, vous pourrez remplir les petites zones qui restent à niveler (avec de la terre propre ou du sable) mais toujours en recompactant et re-nivelant par la suite. Il est important que la zone d'installation soit bien tassée et ferme pour que le terrain ne s'enfonce pas lorsque la piscine sera remplie d'eau. Consultez un professionnel, jardinier, etc.

Finition: Sur le terrain propre et nivelé, répartir une fine couche (max. 1 cm) de sable tamisé. L'arroser et le compacter (avec un rouleau de jardin). Vérifier qu'il soit bien nivelé. Ne pas utiliser le sable pour niveler le terrain. La finition doit être parfaite.

Importante: En cas de sol non stabilisé, la réalisation d'une dalle béton en remplacement du lit de sable est impérative.

Votre dalle devra être parfaitement talochée ou lissée car le moindre défaut peut être visible.



Nous vous recommandons de faire appel à un professionnel pour la réalisation de votre dalle.

Dalle béton non incluse.

Dosée à 350 kg/m³ (norme type C125 430)

Ref. 786226 (EG) L: 3,06 x l: 3,06 x H: 0,10 m - 0,94 m³ de béton.

Ref. 783333 (E) L: 4,74 x l: 4,74 x H: 0,10 m - 2,25 m³ de béton.

Ref. 783331 (E) (EG) L: 4,06 x l: 4,06 x H: 0,10 m - 1,65 m³ de béton.

INSTALLATION SEMI A TOTALEMENT ENTERREE

Selon la nature du terrain, il est important de réaliser un drainage périphérique et d'y associer un puits de décompression. Ce puits est creusé avant la construction de la piscine car il peut éviter également que les fouilles ne se remplissent d'eau durant les travaux. Il doit être proche du bassin, plus profond de quelques centimètres du point le plus bas du bassin et monter jusqu'à la surface. Le puits de décompression se pose du côté le plus humide. Il fait office de puisard dans le cas d'infiltration d'eau ou de sol argileux, sachant que l'eau monte sensiblement plus vite à travers le tuyau qu'à travers le sol.

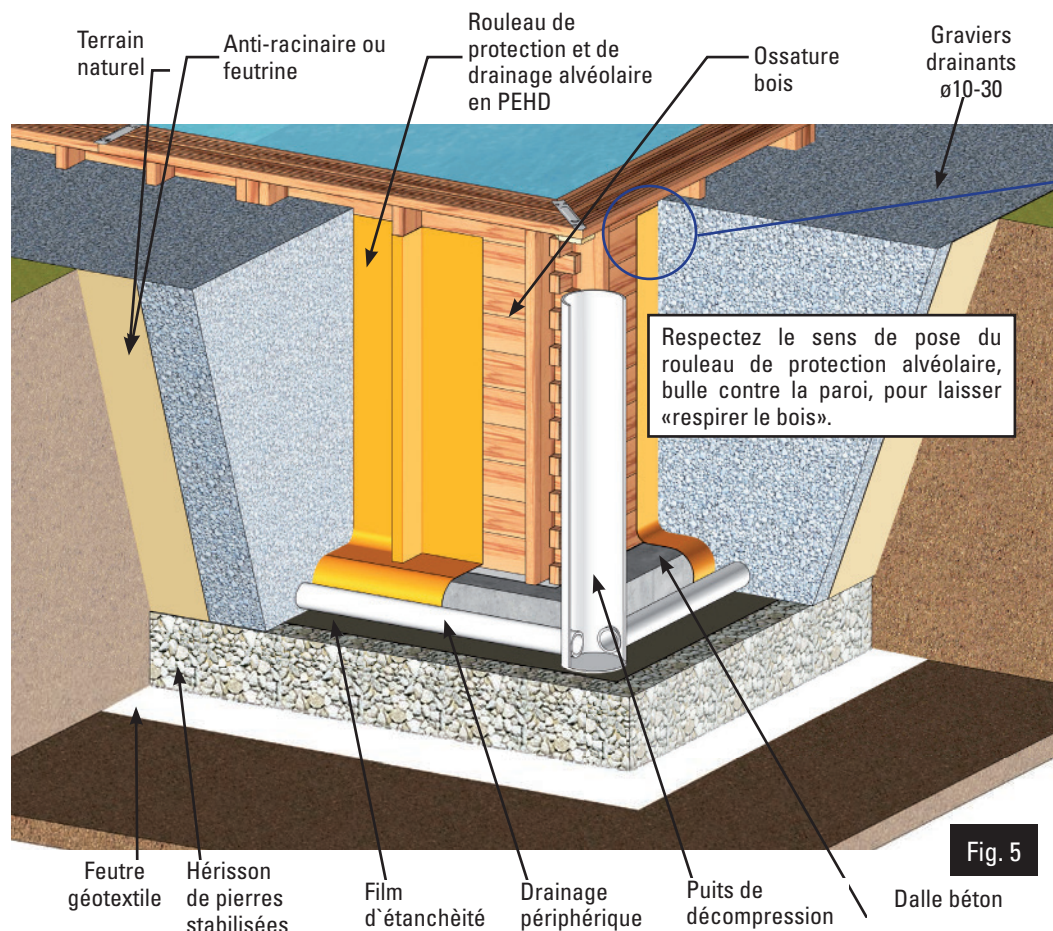


Fig. 5

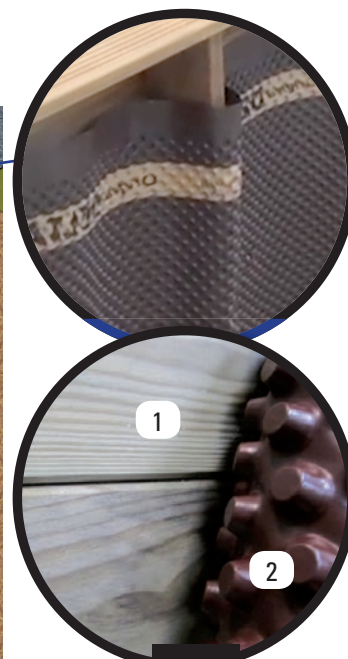


Fig. 6

1- Ossature bois
2- Rouleau de protection et de drainage alvéolaire en PEHD

GELÄNDEVORBEREITUNG

Die Empfehlungen zum Bau von ganz oder teilweise eingelassenen Pools gelten im Rahmen eines Einbaus in ein Gelände, das nicht feucht ist. Er ist ratsam, die grundlegenden Anweisungen anzupassen, um Einschränkungen in Bezug auf die Art des Geländes (zum Beispiel Lehm) oder das übermäßige Vorhandensein von Wasser im Boden (Quellen, Abflüsse...) zu vermeiden. Um überschüssige Feuchtigkeit auf dem Gelände zu vermeiden, ist es notwendig, durch den Bau eines Dekompressionsschachts ein Entwässerungssystem unter dem Pool und darum herum zu errichten. In allen Fällen ist das Vorhandensein eines angepassten Entleerungssystems, um die Stauung von Wasser mit den möglichen Konsequenzen wie der Verschmutzung des Bodens oder sogar die Beschädigung des Gefüges zu vermeiden (Faulen des Holzes, Verformung des Tragwerks, ...). Für eine optimale Planung empfiehlt es sich, vorab den Rat eines Fachmannes einzuholen.

NIE MONTIEREN IN: unebenem, steilen, sandigen oder weichem Gelände oder in Gelände mit.

STANDORT MARKIEREN

Der für die Aufstellung des Pools gewählte (gut planierte) Ort wird anschließend markiert. Dafür bieten sich Ihnen zwei Optionen:

- Die Vorbereitung einer Betonplatte (aus Zement usw.) in den notwendigen Abmessungen für das Schwimmbad.
- Aufstellung direkt auf dem Boden: Boden mit Hilfe von Holzpflocks, Schraubenzieher, Trichter (oder Kunststoffflasche), Mehl oder Kalk und einer Kordel abstecken. Es empfiehlt sich, vor dem Markieren den gesamten Platzbedarf zu nivellieren (ausgerichtet mittig zum Rechteck entsprechend der Poolausführung). Dadurch werden die Montagearbeiten erheblich erleichtert.

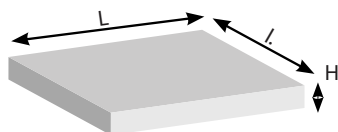
Um überschüssige Feuchtigkeit auf dem Gelände zu vermeiden, ist es notwendig, durch den Bau eines Dekompressionsschachts ein Entwässerungssystem unter dem Pool und darum herum zu errichten.

NIVELLIERUNG

Zum Planieren des Boden darf niemals Erde aufgeschüttet werden, wo diese fehlt, sondern es darf nur überschüssige Erde ausgehoben werden. Nur so wird die Stabilität und Festigkeit des Boden gesichert. Laub, wurzeln, Steine usw. müssen natürlich entfernt werden. Wir weisen besonders darauf hin, dass die Bondennivellierung außerordentlich wichtig ist. Nehmen Sie sich daher Zeit und achten Sie darauf, dass das Pool einwandfrei auf dem gewählten Boden aufliegt. Sie sparen sich dadurch Probleme. **Wie wird nivelliert:** Mit Linealen oder Holzleisten. Graben Sie diese im ausgewählten, sauberen Bereich ein, indem Rechtecke (oder Quadrate) gebildet werden, die untereinander mit Hilfe eines Maurerlineals (aus Aluminium) und einer Wasserwaage nivelliert werden müssen. Wenn alle "Leisten" auf gleicher Höhe liegen und überflüssiges Erdrreich entfernt ist, können die noch nicht nivellierten kleinen Zonen aufgefüllt werden (mit sauberem Erdrreich oder Kiessand). Dabei muss jedoch immer verdichtet und anschließend nivelliert werden. Achten Sie darauf, dass der Untergrund fest ist und nicht absinkt, wenn das mit Wasser gefüllte Pool darauf steht. Wir empfehlen, einen Fachmann zu Rate zu ziehen: Bauunternehmer, Gärtner usw. **Finish:** Auf dem sauberen und nivellierten Untergrund wird eine feine Schicht (max. 1 cm) gesiebter Sand verteilt. Diese Schicht wird befeuchtet und verdichtet (mit einer Gartenwalze). Danach noch einmal auf einwandfreie Planierung prüfen. Der Sand darf nicht zum Nivellieren des Boden benutzt werden. Das Finish muss einwandfrei sein.

Wichtig: Sollte es sich um nicht stabilisierten Boden halten, ist der Bau einer Betonplatte anstelle eines Sandbetts obligatorisch.

Die Fliese sollte ganzheitlich geebnet und geglättet sein, damit jeder Fehler vermieden werden kann.



 Wir empfehlen Ihnen, sich für den Bau der Platte an einen Fachmann zu wenden.

Die Betonplatte ist nicht im Lieferumfang enthalten.

Dosiert 350 kg/m³ (standardisiert Typ C125 430)

Ref. 786226 (EG) LÄNGE: 3,06 x BREITE: 3,06 x HÖHE: 0,10 m - 0,94 m³ Beton.

Ref. 783333 (E) LÄNGE: 4,74 x BREITE: 4,74 x HÖHE: 0,10 m - 2,25 m³ Beton.

Ref. 783331 (E) (EG) LÄNGE: 4,06 x BREITE: 4,06 x HÖHE: 0,10 m - 1,65 m³ Beton.

EINBAU BEI TEILWEISE ODER GANZ EINGELASSENEM POOL

Je nach Beschaffenheit des Geländes ist es wichtig, eine periphere Drainage zu installieren und einen Dekompressionsschacht daran anzuschließen. Der Schacht wird vor dem Bau des Pools gegraben, da er verhindern kann, dass sich die Ausgrabungen während der Bauarbeiten mit Wasser füllen. Er muss nahe dem Becken sein, einige Zentimeter unterhalb des tiefsten Punktes des Beckens, und bis zur Oberfläche reichen. Der Dekompressionsschacht wird an der feuchtesten Seite platziert. Er dient als Drainage im Falle von Versickerungen oder bei Lehmboden, wenn man davon ausgeht, dass das Wasser schneller durch den Schlauch als durch den Boden aufsteigt.

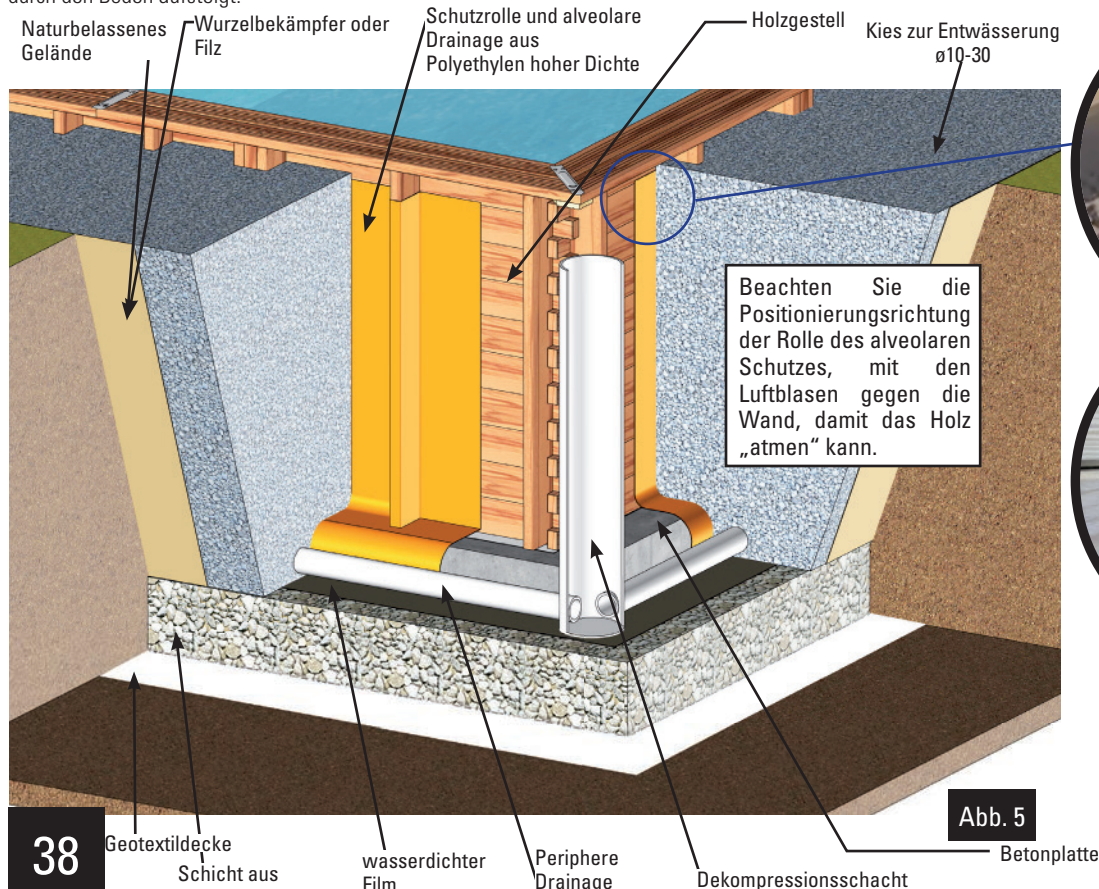


Abb. 5

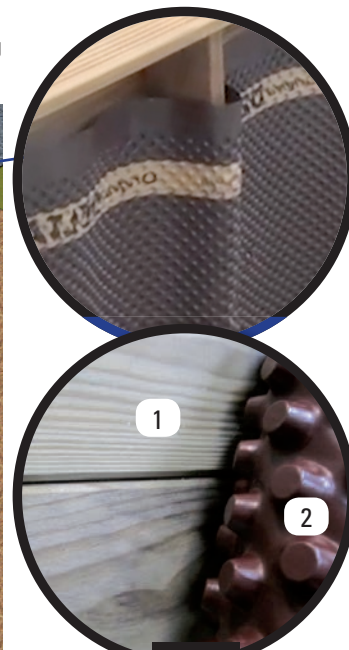


Abb. 6

- 1- Holzgestell
- 2- Schutzrolle und alveolare Drainage aus Polyethylen hoher Dichte

PREPARAZIONE DEL TERRENO

Le indicazioni per la costruzione delle piscine totalmente o parzialmente interrate sono efficaci nel caso di installazione in un terreno che non sia umido. È consigliabile seguire le istruzioni di base per evitare le restrizioni relative al tipo di terreno (ad esempio, argilla) o la presenza eccessiva di acqua nel terreno (sorgenti, acque di scorrimento...). Per evitare qualsiasi eccesso di umidità nel terreno, è necessario installare un sistema di drenaggio sotto la piscina e intorno ad essa costruendo un pozzo di decompressione. In ogni caso, è necessaria la presenza di un sistema di svuotamento per evitare il ristagno di acqua e le sue possibili conseguenze di contaminazione del suolo, incluso il deterioramento della struttura (marciume del legno, deformazione della struttura...). Per garantire una pianificazione di qualità può essere molto utile parlare con un tecnico specializzato.

NON MONTARE MAI LA PISCINA IN PRESENZA DELLE SEGUENTI CONDIZIONI: terreno in pendenza, irregolare, sabbioso, con pietre o morbido.

TRACCIARE ZONA DI INSTALLAZIONE

Una volta scelta la zona di sistemazione della piscina (che deve essere perfettamente nivelata), si provvederà alla relativa tracciatura. A tale scopo, si hanno due opzioni:

- Predisporre una piattaforma di calcestruzzo (cemento, ecc.) con le misure necessarie, a seconda delle dimensioni della propria piscina.
- Direttamente sul terreno: Tracciare il terreno servendosi di picchetti di legno, di un cacciavite, un imbuto (o una bottiglia di plastica), gesso o calce e una corda. Si consiglia di livellare la superficie totale necessaria prima di tracciare (la tracciatura deve restare centrata sul rettangolo corrispondente al modello di piscina) in modo che il lavoro sia più comodo.

Per evitare qualsiasi eccesso di umidità nel terreno, è necessario installare un sistema di drenaggio sotto la piscina e intorno ad essa costruendo un pozzo di decompressione.

LIVELLARE

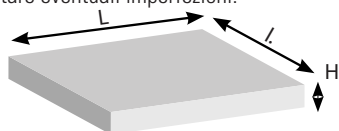
Per livellare il terreno non aggiungere mai terra nel punto in cui manca, ma si scaverà sempre nel punto in cui è in eccesso. In questo modo si garantirà la stabilità e solidità del terreno. Occorrerà comunque eliminare tutte le erbacce, le radici, le pietre, ecc. La procedura di livellamento è molto importante, occorrerà quindi dedicargli il tempo e la cura necessari affinché la piscina si sistemi perfettamente sul terreno prescelto ed eviterà eventuali problemi.

Come livellare: Dopo aver pulito la zona prescelta, siature sottoterra delle squadre o dei "listelli" di legno lunghi, formando rettangoli (o quadrati) livellati fra loro, per mezzo di una squadra da muratore (alluminio) e una livella. Quando tutti i "listelli" saranno a livello e dopo aver rimosso la terra eccedente, si potranno riempire le piccole zone mancanti da livellare (con terra pulita o sabbia di fiume) ma sempre compattando e livellando di seguito. È importante che sia ben saldo affinché non sprofondi il terreno quando la piscina sarà piena d'acqua. Consultare un professionista: costruttore, giardiniere, ecc.

Finitura: Sul terreno pulito e livellato si spargerà un sottile strato (max. 1 cm) di sabbia setacciata. Quindi irrigare e compattare (con un rullo da giardino). Verificare che il terreno sia ben livellato. Non utilizzare la sabbia per livellare il terreno. La finitura deve essere perfetta.

Importante: Qualora il terreno non sia stabilizzato, è obbligatorio realizzare un basamento di calcestruzzo in luogo del letto di sabbia.

Le basamento deve essere perfettamente levigato e ammorbidito, al fine di evitare eventuali imperfezioni.



 **Raccomandiamo di rivolgersi a un professionista per la costruzione del basamento.**

Il basamento di calcestruzzo non è incluso.

Dosaggio 350 kg/m³ (standard C125 430)

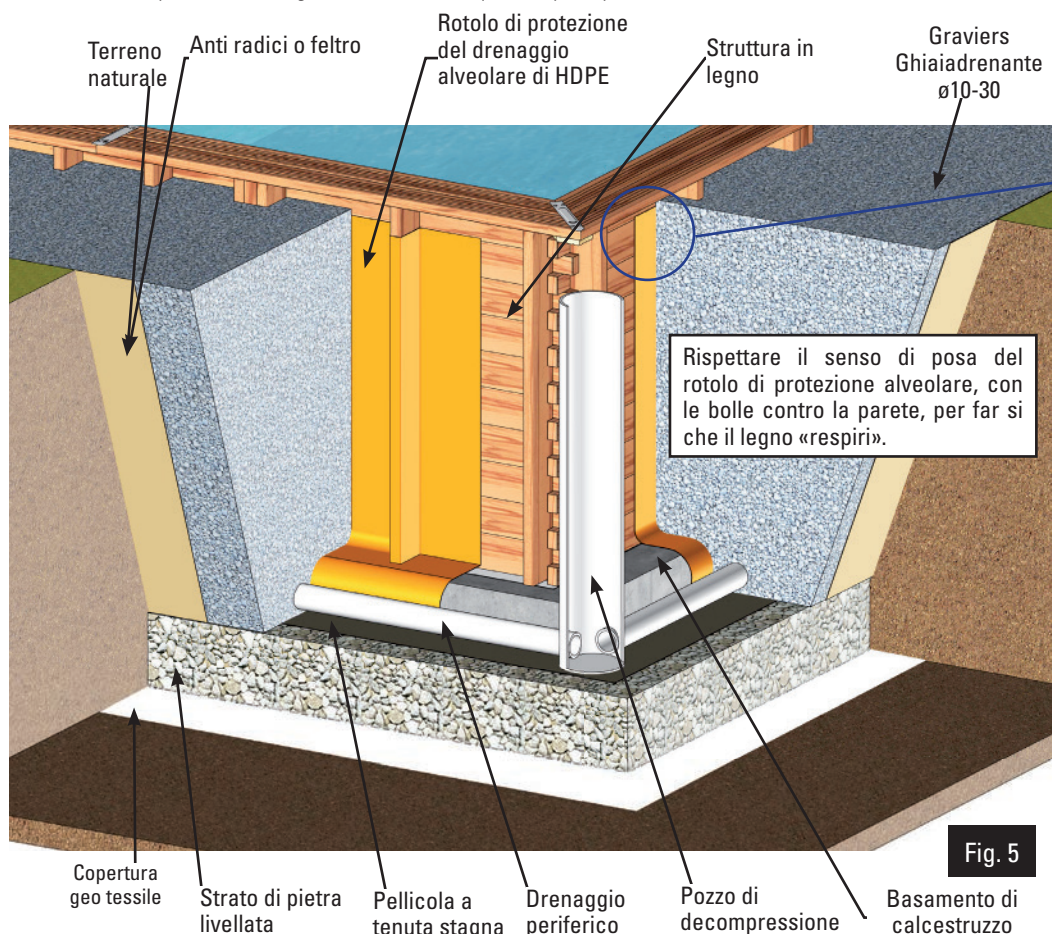
Ref. 786226 (EG) L: 3,06 x P: 3,06 x H: 0,10 m - 0,94 m³ di calcestruzzo.

Ref. 783333 (E) L: 4,74 x P: 4,74 x H: 0,10 m - 2,25 m³ di calcestruzzo.

Ref. 783331 (E) (EG) L: 4,06 x P: 4,06 x H: 0,10 m - 1,65 m³ di calcestruzzo.

INSTALLAZIONE PARZIALMENTE O COMPLETAMENTE INTERRATA

In base al tipo di terreno, è importante installare un drenaggio periferico collegarlo con un pozzo di decompressione. Il pozzo deve essere scavato prima della costruzione della piscina per evitare che gli scavi si riempiano di acqua durante i lavori. Deve essere vicino alla vasca, alcuni centimetri più in basso del punto più profondo della stessa e arrivare fino alla superficie. Il pozzo di decompressione deve essere situato nel lato più umido. Svolge la funzione di un tombino in caso di infiltrazioni di acqua e di suolo argilloso, dato che l'acqua sale più rapidamente attraverso il tubo che attraverso il suolo.



Rispettare il senso di posa del rotolo di protezione alveolare, con le bolle contro la parete, per far sì che il legno «respiri».

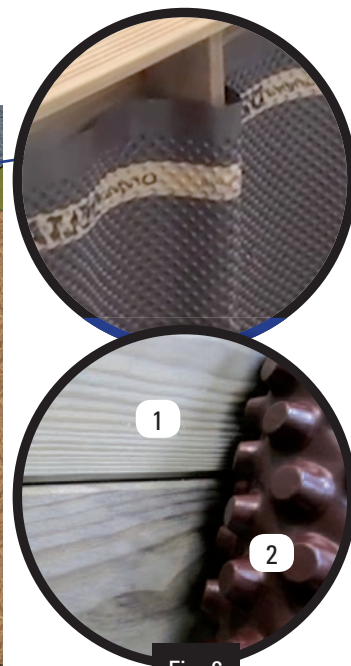


Fig. 6

- 1- Struttura in legno
- 2- Rotolo di protezione del drenaggio alveolare di HDPE

Fig. 5

De aanbevelingen voor zwembaden die geheel of gedeeltelijk verdiept worden aangelegd, zijn effectief binnen de context van inbouwen in een terrein dat niet vochtig is. Het is wenselijk dat de basisinstructies worden aangepast om beperkingen te voorkomen die samenhangen met de grondsoort (bijvoorbeeld klei) of de overdadige aanwezigheid van water in de grond (bronnen, waterstromen...). Met het oog op het voorkomen van een overschot aan vocht in uw grond, is het nodig om een drainagesysteem onder en rondom het zwembad te installeren tezamen met de aanleg van een decompressieput.

In alle gevallen, is de aanwezigheid van een aangepast afvoersysteem noodzakelijk om te voorkomen dat er water blijft staan met als mogelijke gevolgen bodemverontreiniging evenals aantasting van het frame (houtrot, vervorming van het frame,...). Om een een planning van hoge kwaliteit te garanderen, kan het advies van een specialist als zeer waardevol worden ervaren. **NOOIT MONTEREN OP: Een terrein dat hellend, oneffen is, of dat uit zand of zachte grond bestaat, of wanneer het stenen bevat.**

HER MARKEREN VAN DE PLAATS VOOR INSTALLATIE

Wanneer we de plaats (die volkomen genivelleerd dient te zijn) voor de ligging van het zwembad eenmaal hebben uitgezocht gaan we over tot het markeren daarvan. Dit kunt u op twee manieren doen:

- Een platform van beton bereiden (cement, enz.) met nodige afmeting, al naar gelang de grootte van uw zwembad.

- Direct op het terrein: Het terrein markeren met behulp van houten palen, schroevendraaier, trechter (of een plastic fles), meel of kalk en een touw. Aangeraden wordt, vóór het markeren, de gehele benodigde oppervlakte te nivelleren (die al naar gelang het model van zwembad in de rechthoek gecentreerd moet zijn) opdat bij de montage gemakkelijker en met ruimte gewerkt kan worden.

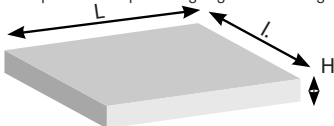
Om te voorkomen dat uw grond een overdaad aan water vasthoudt, is het nodig van een drainagesysteem onder en om het zwembad te installeren evenals de constructie van een decompressieput.

NIVELLEREN

In het geval van nivellering van het terrein moeten we nooit aarde bijvoegen op de plaats waar deze ontbreekt, we graven altijd uit daar waar deze teveel aanwezig is. Op deze manier zullen we de stabiliteit van het terrein garanderen. In ieder geval moeten we al het onkruid, de wortels, stenen enz... verwijderen. Het proces van de nivellering van het terrein is zeer belangrijk; besteed daar de nodige tijd en aandacht aan zodat uw zwembad op de juiste manier zijn plaats vindt op het uitgekozen terrein en u zult problemen voorkomen. **Wijze voor nivellering:** met gebruik van lange houten latten. Plaats deze in de grond op het uitgekozen en schone terrein, waarin met behulp van een metselaarsmeetlat (aluminium) en een waterpas onderling genivelleerde rechthoeken (of vierkanten) worden gevormd. Wanneer alle latten zich op dezelfde hoogte bevinden en de overtollige aarde is verwijderd kunnen de kleine niet-genivelleerde plekken worden gevuld (met schone aarde, of zand), waarna de aarde opnieuw moet samengedrukt worden en genivelleerd. Het is belangrijk dat de zone goed samengedrukt is zodat het terrein niet inzakt wanneer het zwembad gevuld wordt. Raadpleeg een vakman: een aannemer, een tuinman, enz. **Afwerking:** Over het schone en genivelleerde terrein strooien we een fijne laag (maximaal 1 cm) gezeefd zand uit. Deze begieten we en stampen we aan (met een tuinpletter). We controleren de juiste nivellering. Gebruik het zand niet voor het nivelleren van het terrein. De afwerking dient volmaakt te zijn.

Belangrijk: Indien de bodem niet is gestabiliseerd, is het verplicht de aanleg uit te voeren op een betonvloer in plaats van op het zandbed.

De betonplaat moet perfect geëgaliseerd en gladgestreken zijn, om eventuele onvolkomenheden te vermijden.



We raden u aan de hulp in te roepen van een aannemer voor de aanleg van de plaat.

De Betonvloer is niet inbegrepen.

Dosering 350 kg/m³ (standaard type C125 430)

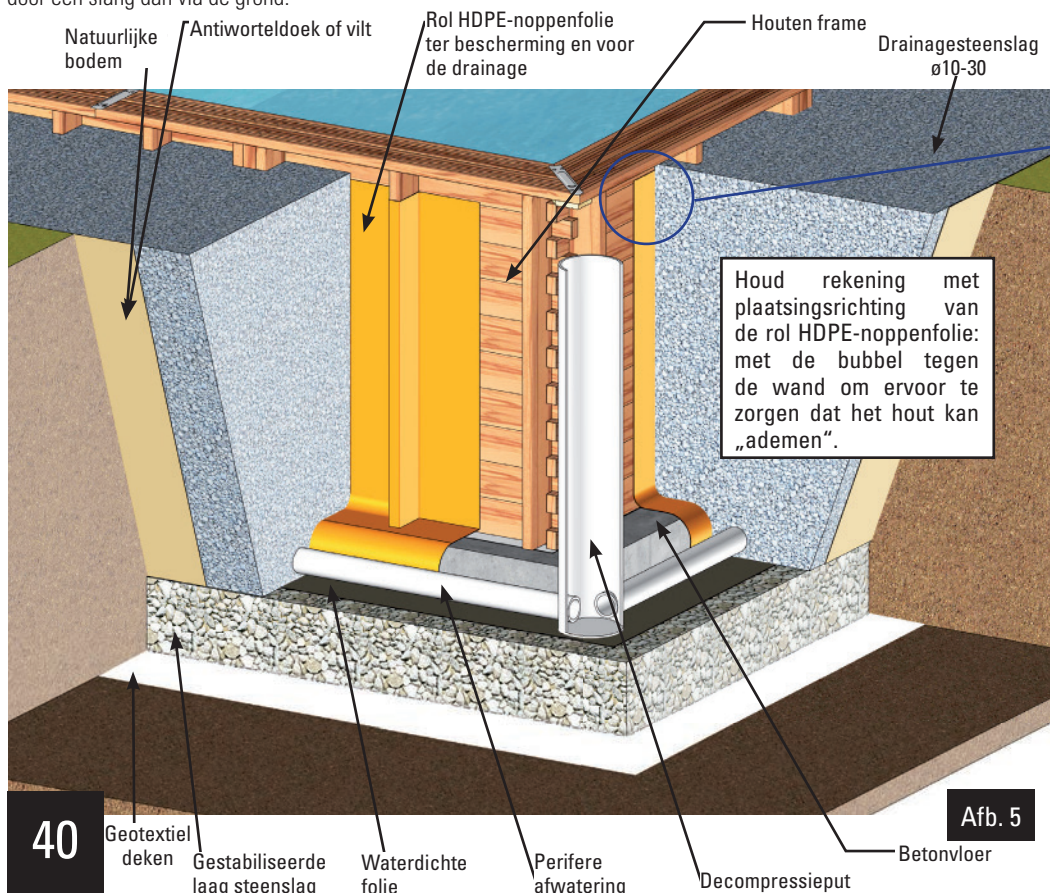
Ref. 786226 (EG) L: 3,06 x BR: 3,06 x H: 0,10 m - 0,94 m³ Beton.

Ref. 783333 (E) L: 4,74 x BR: 4,74 x H: 0,10 m - 2,25 m³ Beton.

Ref. 783331 (E) (EG) L: 4,06 x BR: 4,06 x H: 0,10 m - 1,65 m³ Beton.

GEDEELTELIJKE OF GEHEEL VERZONKEN INSTALLATIE

Afhankelijk van de aard van het terrein, is het van belang om een periferisch afwateringssysteem te plaatsen en dit aan te sluiten op een decompressieput. De put wordt gegraven voordat met de aanleg van het zwembad wordt begonnen en zo wordt ook voorkomen dat de uitgraving tijdens de werkzaamheden volloopt met water. Het moet zich vlakbij het bassin bevinden, enkele centimeters onder het diepste punt ervan en het moet reiken tot aan de oppervlakte. De decompressieput wordt aan de natste kant geplaatst. Start de werking als afvoer zodra er infiltraties van water of modder optreden, omdat het water veel sneller omhoog kan komen door een slang dan via de grond.



Afb. 6

1- Houten frame
2- Rol HDPE-noppenfolie ter bescherming en voor de drainage

PREPARAÇÃO DO TERRENO

As recomendações sobre a construção para as piscinas total ou parcialmente enterradas são efetivas no contexto de uma instalação num terreno que não seja húmido. É conveniente que as instruções básicas sejam adaptadas para evitar as restrições relativas ao tipo de terreno (argila, por exemplo) ou à presença excessiva de água no solo (fontes, escorrências...). A fim de evitar qualquer excesso de humidade no terreno, é necessário instalar um sistema de drenagem sob a piscina e em volta dela, com a construção de um sistema de evacuação adaptado para evitar o estancamento da água com as eventuais consequências de contaminação do solo, inclusive a deterioração da estrutura (podridão da madeira, deformação da estrutura...). Para garantir uma planificação de qualidade, a informação de um especialista pode ser muito valiosa.

NUNCA MONTAR EM: Terreno inclinado, desigual, areoso, com pedras ou brando.

MARCAR ZONA DE INSTALAÇÃO

Depois de escolher a zona de colocação da piscina (que tem de estar perfeitamente nivelada), é preciso marcar. Para isso, existem duas opções:

- Preparar uma plataforma de formigão (cimento, etc.) com a medida necessária segundo as dimensões da piscina.
- Directamente sobre o terreno: Marcar o terreno com a ajuda de estacas de madeira, uma chave de parafusos, um funil (ou uma garrafa de plástico), farinha ou cal, e uma corda. Aconselha-se nivelar a superfície total necessária antes da marcação (que deve ficar centrada no rectângulo correspondente ao modelo da piscina) para trabalhar na montagem mais cómodo.

A fim de evitar qualquer excesso de humidade no terreno, é necessário instalar um sistema de drenagem sob a piscina e em torno dela, com a construção de um poço de descompressão.

NIVELAR

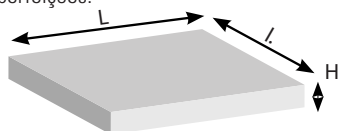
Se se nivelar o terreno nunca se deverá acrescentar terra onde falta, sempre deve-se cavar onde sobra. Desta forma garante-se a estabilidade do terreno e a sua firmeza. Em qualquer caso devem-se eliminar as ervas, raízes, pedras, etc. O processo de nivelamento do terreno é muito importante. Deve-se dedicar a ele todo o tempo e atenção necessários para a sua piscina se assentar perfeitamente no terreno escolhido, o que evitará problemas.

Como nivelar: com regras ou "réguas de madeira compridas: coloque-as enterradas na zona escolhida e limpa, formando rectângulos (ou quadrados) nivelados entre eles, por meio de uma regra de pedreiro (alumínio) e um nível. Quando estiverem todas as "réguas" a nível e tirada a terra aí onde sobrar, poderá encher as pequenas zonas que faltam por nivelar (com terra limpa ou areia) mas sempre compactando e nivelando depois. É importante que fique bem firme para não se arrombar o terreno quando a piscina estiver cheia de água. Consulte um profissional (um construtor ou um jardineiro, ou qualquet outro).

Acabamento: Encima do terreno limpo e nivelado, pôr uma camada fina (max.1 cm) de areia tamisada. Depois rega-se e compacta-se (com um rodízio de jardim). Verificar se está bem nivelado. Não utilizar a areia para nivelar o terreno. O acabamento deve ser perfeito.

Importante: no caso de se tratar de um solo não estabilizado, é obrigatória a construção de uma laje de betão em lugar do leito de areia.

A laje deve ser perfeitamente alisado e suavizados para evitar quaisquer imperfeições.



Recomendamos que recorra a um profissional para a construção da laje.

A laje de betão não está incluída.

Dosagem 350 kg/m³ (normalizado tipo C125 430)

Ref. 786226 (EG) C: 3,06 x L: 3,06 x A: 0,10 m - 0,94 m³ de betão.

Ref. 783333 (E) C: 4,74 x L: 4,74 x A: 0,10 m - 2,25 m³ de betão.

Ref. 783331 (E) (EG) C: 4,06 x L: 4,06 x A: 0,10 m - 1,06 m³ de betão.

INSTALAÇÃO PARCIAL OU COMPLETAMENTE ENTERRADA

Segundo a natureza do terreno, é importante instalar uma drenagem periférica e ligá-la a um poço de descompressão. O poço é escavado antes da construção da piscina porque pode também evitar que as escavações se encham de água durante as obras. Deve estar perto do tanque, uns centímetros por debaixo do ponto mais profundo do mesmo e chegar até à superfície. O poço de descompressão situa-se no lado mais húmido. Desempenha a função de sumidouro em caso de infiltrações de água ou de solo argiloso, partindo de que a água sobe de forma mais rápida através do tubo do que do solo.

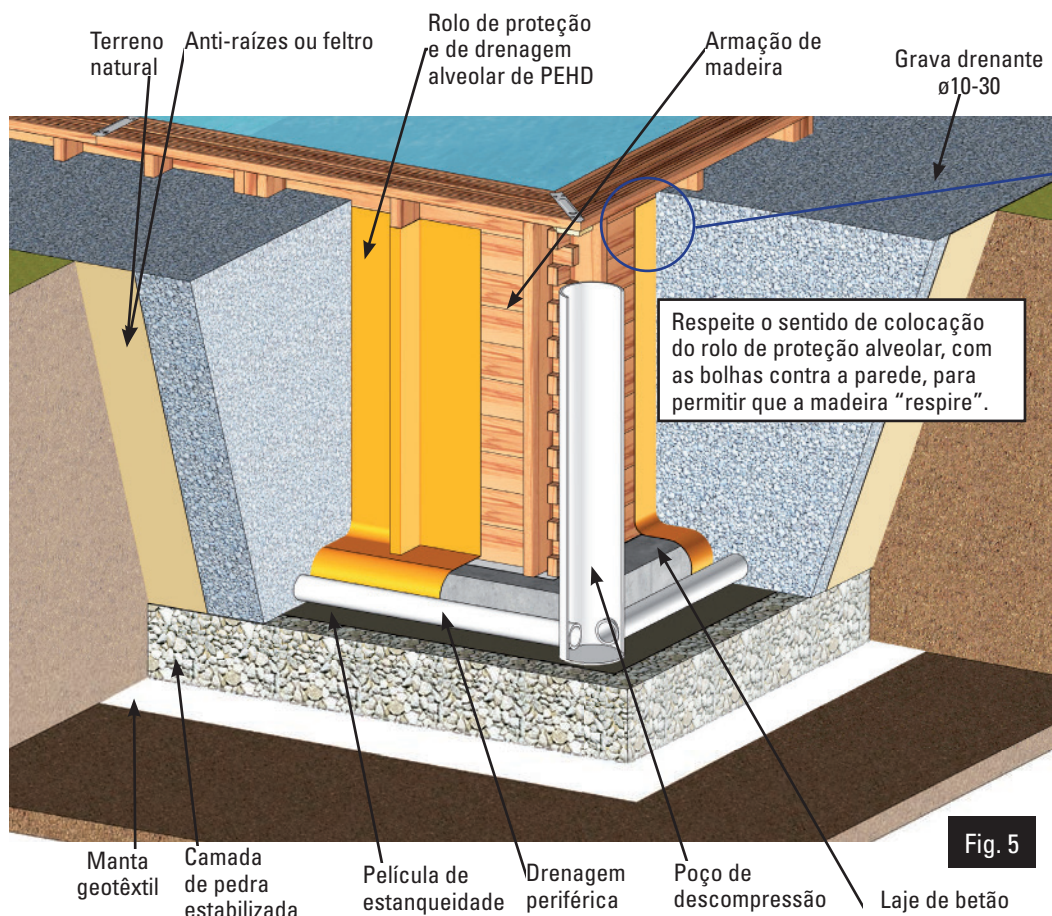


Fig. 5

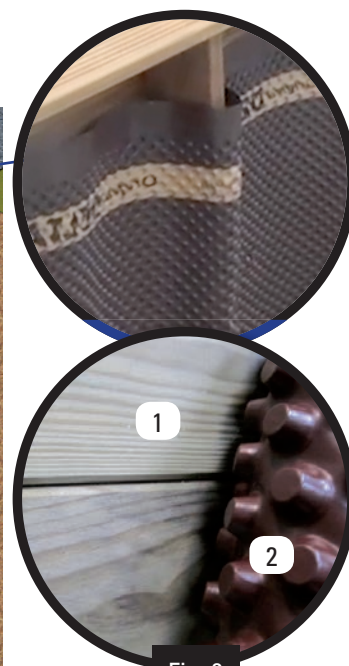


Fig. 6

1- Armação de madeira
2- Rolo de proteção e de drenagem alveolar de PEHD

EN

ES

FR

DE

IT

NL

PT

BOARDS

TABLAS

MADRIERS

ERDARBEITEN

TAVOLE

PLANKEN

TÁBUAS

Ref. 786226 (EG)

Identification of the boards / Identificación de las tablas / Repérage des madriers / Kennzeichnung der Holzbohlen / Identificazione della tavole / Identificatie van de planken / Identificação das tábuas

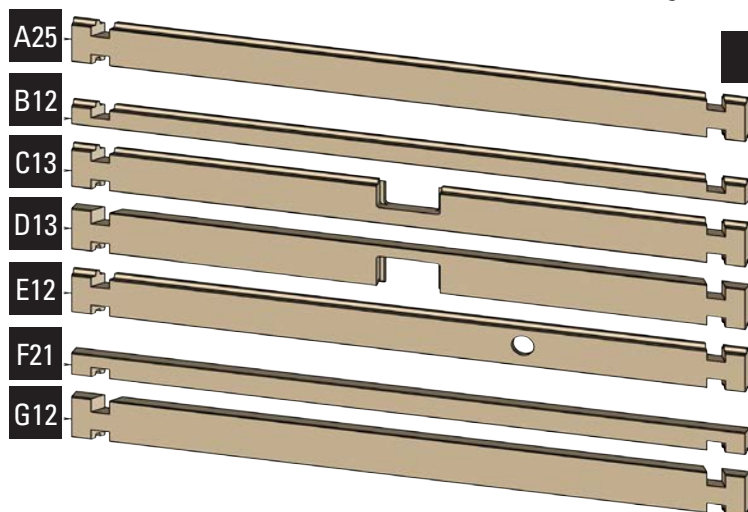


Fig. 7 / Abb. 7 / Afb. 7

IDENTIFICATION/ IDENTIFICACIÓN/ REPÈRE/KENNZEICH- NUNG/IDENTIFICA- ZIONE/IDENTIFICA- TIE/IDENTIFICAÇÃO/	DENOMINATION/DENOMINACIÓN/DÉSIGNATION/BEZEICHNUNG/ DENOMINAZIONE/ BENAMING/DENOMINAÇÃO/	REF/RÉF/ HINWEIS/RIF	CTD/QTÉ/ ANZ/AANT/ TD
A25	Standard board L1495-Cut D60°/G60°-V • Tablero estándar L1495-Corte D60°/G60°-V • Madrier standard L1495-Coupe D60°/G60°-V • Standardbrett L1495-Schnitt D60°/G60°-V • Pannelo standard L1495-Taglio D60°/G60°-V • Standaard plank L1495-Zaagsnede D60°/G60°-V • Tabuleiro padrão L1495-Corte D60°/G60°-V	786282	43
B12	Board with cut L1495-Cut D60°/G60°-V • Tablero partido L1495-Corte D60°/G60°-V • Madrier départ L1495-Coupe D60°/G60°-V • Schnitt L1495-Schnitt D60°/G60°-V • Pannelo taglio L1495-Taglio D60°/G60°-V • Zaagsnede L1495-Zaagsnede D60°/G60°-V • Corte L1495-Corte D60°/G60°-V	786246	3
C13	Board with cut-out for the lower part of the skimmer L1495-Cut D60°/G60°-V • Tabla con muesca para la parte inferior del skimmer L1495-Corte D60°/G60°-V • Madrier entaillé pour le bas du Skimmer L1495-Coupe D60°/G60°-V • Holzbrett mit Kerbe für das untere Teil des Skimmers L1495-Schnitt D60°/G60°-V • Tavola con incastro per la parte inferiore dello skimmer L1495-Taglio D60°/G60°-V • Plank met uitsnijding voor het onderste deel van de skimmer L1495-Zaagsnede D60°/G60°-V • Tábua com entalhe para a parte inferior do skimmer L1495-Corte D60°/G60°-V	786272	1
D13	Board with cut-out for the upper part of the skimmer L1495-Cut D60°/G60°-V • Tabla con muesca para la parte superior del skimmer L1495-Corte D60°/G60°-V • Madrier entaillé pour le haut du Skimmer L1495-Coupe D60°/G60°-V • Holzbrett mit Kerbe für das obere Teil des Skimmers L1495-Schnitt D60°/G60°-V • Tavola con incastro per la parte superiore dello skimmer L1495-Taglio D60°/G60°-V • Plank met uitsnijding voor het bovenste deel van de skimmer L1495-Zaagsnede D60°/G60°-V • Tábua com entalhe para a parte superior do skimmer L1495-Corte D60°/G60°-V	786277	1
E12	Board with cut-out for the refilling fitting with key L1495-Cut D60°/G60°-V • Tabla con muesca para la boquilla de impulsión L1495-Corte D60°/G60°-V • Madrier entaillé pour le buse de refoulement L1495-Corte D60°/G60°-V • Holzbrett mit Kerbe für das Druckventil L1495-Schnitt D60°/G60°-V • Tavola con incastro per l'ugello di mandata L1495-Taglio D60°/G60°-V • Plank met uitsnijding voor het uitsroommondstuk L1495-Zaagsnede D60°/G60°-V • Tábua com entalhe para a boquilha de impulsão L1495-Corte D60°/G60°-V	786244	1
F21	End board L1495-Cut D60°/G60°-V • Tabla final L1495-Corte D60°/G60°-V • Madrier final L1495-Corte D60°/G60°-V • Abchließendes Holzbrett L1495-Schnitt D60°/G60°-V • Tavola finale L1495-Taglio D60°/G60°-V • Laatste plank L1495-Zaagsnede D60°/G60°-V • Tábua final L1495-Corte D60°/G60°-V	786254	3
G12	Upper board L1495-Cut D60°/G60°-V • Tabla superior L1495-Corte D60°/G60°-V • Madrier Supérieur L1495-Corte D60°/G60°-V • Oberes Brett L1495-Schnitt D60°/G60°-V • Tavola superiore L1495-Taglio D60°/G60°-V • Bovenste plank L1495-Zaagsnede D60°/G60°-V • Tábua superior L1495-Corte D60°/G60°-V	786287	2

EN

PROTECTIVE GROUND BLANKET

Ref. 786226 (EG)

ES

MANTA PROTECTORA DE FONDO

FR

FEUTRE DE FOND

DE

SCHUTZDECKE IM UNTERGRUND

IT

COPERTURA DI PROTEZIONE DEL FONDO

NL

BESCHERMDEKEN BODEM

PT

MANTA PROTETORA DE FUNDO

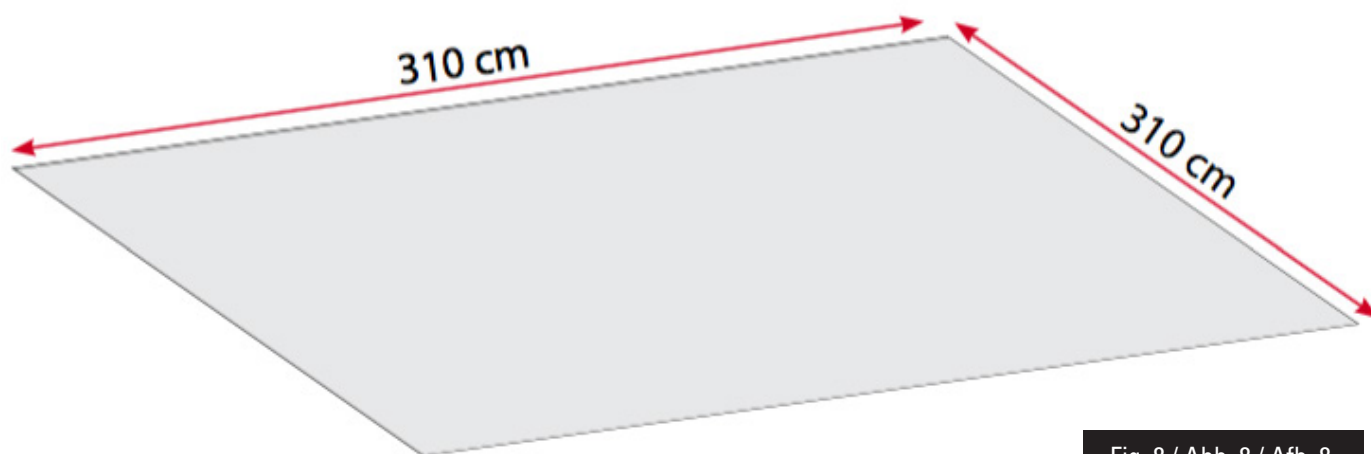


Fig. 8 / Abb. 8 / Afb. 8

EN After having done the installation and preparation of the ground you can start with assembling the pool. Start by laying the protective blanket.

ES Una vez que se ha realizado la instalación del terreno puede comenzar con el montaje del vaso. Empiece por colocar la manta protectora de fondo.

FR Une fois l'implantation et le terrassement réalisés, vous pouvez débiter le montage du bassin. Commencez par positionner le feutre de fond.

DE Sobald die Installation und die Geländevorbereitung abgeschlossen sind, können Sie mit der Montage des Beckens beginnen. Platzieren Sie zunächst die Schutzdecke für den Untergrund.

IT Dopo aver ultimato con l'installazione e la preparazione del terreno si può procedere con il montaggio della vasca. Iniziare a sistemare la copertura di protezione del fondo.

NL Als de installatie en de voorbereiding van het terrein eenmaal klaar is, kan worden begonnen met de montage van het bassin. Begin met het plaatsen van de beschermende deken achtergrond.

PT Uma vez realizada a instalação e a preparação do terreno, pode começar a montagem do tanque. Comece colocando a manta protetora de fundo.

EN

ES

FR

DE

IT

NL

PT

BOARDS

TABLAS

MADRIERS

ERDARBEITEN

TAVOLE

PLANKEN

TÁBUAS

Ref. 783331 (E) (EG)

Identification of the boards / Identificación de las tablas / Repérage des madriers / Kennzeichnung der Holzbohlen / Identificazione della tavole / Identificatie van de planken / Identificação das tábuas

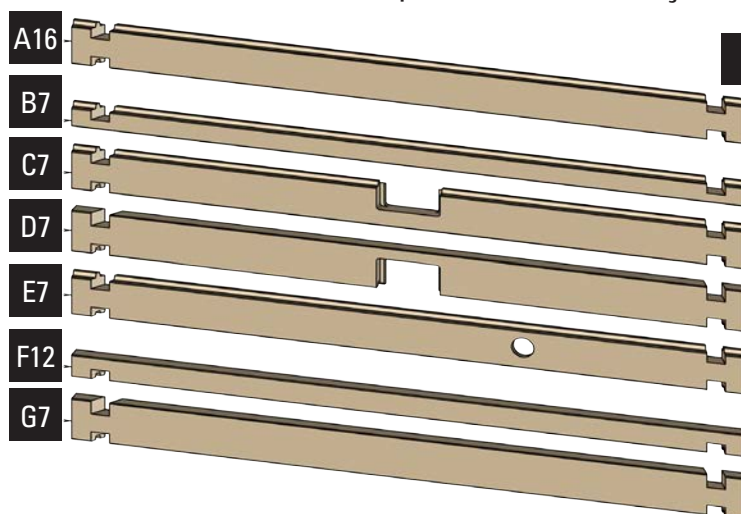


Fig. 7 / Abb. 7 / Afb. 7

IDENTIFICATION/ IDENTIFICACIÓN/ REPÈRE/KENNZEICH- NUNG/IDENTIFICA- ZIONE/IDENTIFICA- TIE/IDENTIFICAÇÃO/	DENOMINATION/DENOMINACIÓN/DÉSIGNATION/BEZEICHNUNG/ DENOMINAZIONE/ BENAMING/DENOMINAÇÃO/	REF/RÉF/ HINWEIS/RIF	CTD/QTÉ/ ANZ/AANT/ TD
A16	Standard board L2000-Cut D60°/G60°-V • Tablero estándar L2000-Corte D60°/G60°-V • Madrier standard L2000-Coupe D60°/G60°-V • Standardbrett L2000-Schnitt D60°/G60°-V • Pannelo standard L2000-Taglio D60°/G60°-V • Standaard plank L2000-Zaagsnede D60°/G60°-V • Tabuleiro padrão L2000-Corte D60°/G60°-V	778424	43
B7	Board with cut L2000-Cut D60°/G60°-V • Tablero partido L2000-Corte D60°/G60°-V • Madrier départ L2000-Coupe D60°/G60°-V • Schnitt L2000-Schnitt D60°/G60°-V • Pannelo taglio L2000 Taglio D60°/G60°-V • Zaagsnede L2000-Zaagsnede D60°/G60°-V • Corte L2000-Corte D60°/G60°-V	778425	3
C7	Board with cut-out for the lower part of the skimmer L2000-Cut D60°/G60°-V • Tabla con muesca para la parte inferior del skimmer L2000-Corte D60°/G60°-V • Madrier entaillé pour le bas du Skimmer L2000-Coupe D60°/G60°-V • Holzbrett mit Kerbe für das untere Teil des Skimmers L2000-Schnitt D60°/G60°-V • Tavola con incastro per la parte inferiore dello skimmer L2000 Taglio D60°/G60°-V • Plank met uitsnijding voor het onderste deel van de skimmer L2000-Zaagsnede D60°/G60°-V • Tábua com entalhe para a parte inferior do skimmer L2000-Corte D60°/G60°-V	778426	1
D7	Board with cut-out for the upper part of the skimmer L2000-Cut D60°/G60°-V • Tabla con muesca para la parte superior del skimmer L2000-Corte D60°/G60°-V • Madrier entaillé pour le haut du Skimmer L2000-Coupe D60°/G60°-V • Holzbrett mit Kerbe für das obere Teil des Skimmers L2000-Schnitt D60°/G60°-V • Tavola con incastro per la parte superiore dello skimmer L2000 Taglio D60°/G60°-V • Plank met uitsnijding voor het bovenste deel van de skimmer L2000 Zaagsnede D60°/G60°-V • Tábua com entalhe para a parte superior do skimmer L2000-Corte D60°/G60°-V	778427	1
E7	Board with cut-out for the refilling fitting with key L2000-Cut D60°/G60°-V • Tabla con muesca para la boquilla de impulsión L2000-Corte D60°/G60°-V • Madrier entaillé pour le buse de refoulement L2000-Corte D60°/G60°-V • Holzbrett mit Kerbe für das Druckventil L2000-Schnitt D60°/G60°-V • Tavola con incastro per l'ugello di mandata L2000-Taglio D60°/G60°-V • Plank met uitsnijding voor het uitsroommondstuk L2000-Zaagsnede D60°/G60°-V • Tábua com entalhe para a boquilha de impulsão L2000-Corte D60°/G60°-V	778428	1
F12	End board L2000-Cut D60°/G60°-V • Tabla final-L2000-Corte D60°/G60°-V • Madrier final L2000-Corte D60°/G60°-V • Abschließendes Holzbrett L2000-Schnitt D60°/G60°-V • Tavola finale L2000-Taglio D60°/G60°-V • Laatste plank L2000-Zaagsnede D60°/G60°-V • Tábua final L2000-Corte D60°/G60°-V	778429	3
G7	Upper board L2000-Cut D60°/G60°-V • Tabla superior L2000-Corte D60°/G60°-V • Madrier Supérieur L2000-Corte D60°/G60°-V • Oberes Brett L2000-Schnitt D60°/G60°-V • Tavola superiore L2000-Taglio D60°/G60°-V • Bovenste plank L2000-Zaagsnede D60°/G60°-V • Tábua superior L2000-Corte D60°/G60°-V	778430	2

Ref. 783331 (E) (EG)

- EN PROTECTIVE GROUND BLANKET
- ES MANTA PROTECTORA DE FONDO
- FR FEUTRE DE FOND
- DE SCHUTZDECKE IM UNTERGRUND
- IT COPERTURA DI PROTEZIONE DEL FONDO
- NL BESCHERMDEKEN BODEM
- PT MANTA PROTETORA DE FUNDO

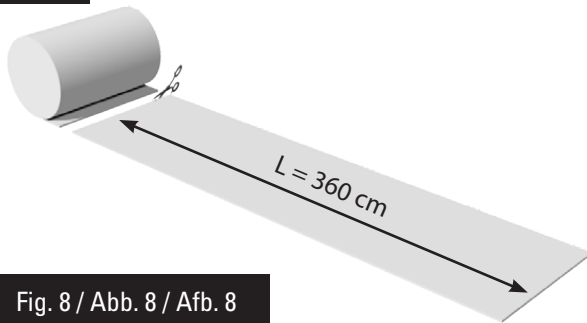


Fig. 8 / Abb. 8 / Afb. 8

- EN
 - Unroll the blanket and cut each piece. (It is better to use scissors instead of a cutter)
 - Cut 3 pieces of 360 cm from the roll, of 1.16 m width.

Dimensions of the final blanket: 360x348 cm. Unroll the blanket taking into account how the pool is oriented. The pool will be situated over the blanket as shown in Fig. 10.
- ES
 - Desenrolle la manta y corte cada pieza. (Es mejor utilizar tijera en lugar de cúter)
 - Corte 3 piezas de 360 cm del rollo, de 1,16 m de ancho.

Dimensiones de la manta resultante: 360x348cm. Desenrolle la manta teniendo en cuenta cómo ha elegido orientar la piscina. La piscina se sitúa sobre la manta como en la Fig. 10.
- FR
 - Déroulez le feutre et recoupez chaque longueur. (Préférez l'utilisation de ciseaux à celle d'un cutter)
 - Réalisez 3 lés de 360 cm dans le rouleau de 1,16 m de large.

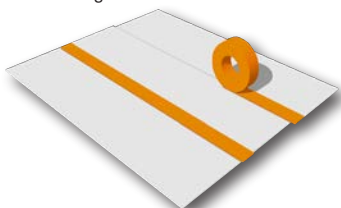
Dimension du obtenue: 360x348cm. Déroulez le feutre en tenant compte du choix d'orientation de votre piscine. La piscine se positionne sur le feutre comme Fig. 10.
- DE
 - Entrollen Sie die Decke und schneiden Sie jedes Stück zu. (Es ist besser, eine Schere anstelle eines Cutters zu benutzen)
 - Schneiden Sie 3 Stücke mit jeweils 360 Zentimetern in einer Breite von 1,16 von der Rolle ab.

Die Maße der dabei entstehenden Decke betragen 360x348cm. Rollen Sie die Decke aus, wobei Sie berücksichtigen, wie Sie den Pool ausrichten wollten. Der Pool wird auf der Decke platziert, wie Abb. 10 zeigt.
- IT
 - Srotolare la copertura e ritagliare i vari pezzi. (È preferibile utilizzare le forbice e non il tagliarino)
 - Tagliare dal rotolo 3 pezzi da 360 cm e di 1,16 m di larghezza.

Le dimensioni della copertura risultante saranno 360x348cm. Srotolare la copertura tenendo in conto l'orientamento scelto per la piscina. La piscina va messa sopra la copertura come mostrato nella fig. 10.
- NL
 - Rol de bodembedekking af en snijd elk stuk af. (Het is beter een schaar te gebruiken dan een stanlymes)
 - Snij 3 stukken van 360 cm van de rol, van 1,16 m breed.

De afmetingen van de resulterende deken moeten 360x348cm zijn. Rol de deken af waarbij u rekening houdt met uw keuze hoe u het zwembad wilt oriënteren. Het zwembad wordt op de bodembedekking geplaatst zoals te zien is op Afb. 10.
- PT
 - Desenrole a manta e corte cada peça. (É melhor utilizar tesoura e não estilete)
 - Corte 3 peças de 360 cm do rolo, com 1,16 m de largura.

As dimensões da manta resultante serão 360x348cm. Desenrole a manta tendo em conta como decidiu orientar a piscina. A piscina situa-se sobre a manta como mostrado na Fig. 10.



EN After having done the installation and preparation of the ground you can start with assembling the pool. Start by laying the protective blanket, which should be cut from the roll included, on the floor.

⚠️ **Scrupulously respect the indicated measures to cut the roll.**

ES Una vez que se ha realizado la instalación del terreno puede comenzar con el montaje del vaso. Empiece por colocar la manta protectora de fondo que debe cortarse del rollo incluido.

⚠️ **Respete escrupulosamente las medidas indicadas para cortar.**

FR Une fois l'implantation et le terrassement réalisés, vous pouvez débuter le montage du bassin. Commencez par positionner le feutre de fond à découper dans le rouleau fourni.

⚠️ **Respectez scrupuleusement les dimensions indiquées pour découper le feutre.**

DE Sobald die Installation und die Geländevorbereitung abgeschlossen sind, können Sie mit der Montage des Beckens beginnen. Platzieren Sie zunächst die Schutzdecke für den Untergrund, die von der im Lieferumfang enthaltenen Rolle abgeschnitten werden muss.

⚠️ **Beachten Sie die angezeigten Maße genau, wenn Sie die Rolle zuschneiden.**

IT Dopo aver ultimato con l'installazione e la preparazione del terreno si può procedere con il montaggio della vasca. Iniziare a sistemare la copertura di protezione del fondo che si deve ritagliare dal rotolo incluso.

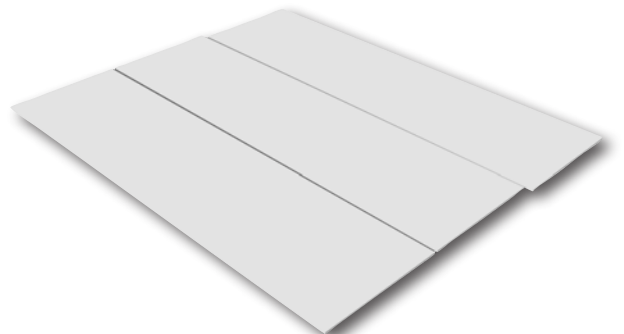
⚠️ **Rispettare scrupolosamente le misure indicate per tagliare il rotolo.**

NL Als de installatie en de voorbereiding van het terrein eenmaal klaar is, kan worden begonnen met de montage van het bassin. Begin met het plaatsen van de beschermende bodembedekking die moet worden afgeknipt van de bijgeleverde rol.

⚠️ **Volg de aangegeven maten voor het afsnijden van de rol nauwlettend op.**

PT Uma vez realizada a instalação e a preparação do terreno, pode começar a montagem do tanque. Comece colocando a manta protetora de fundo que deve ser cortada do rolo incluído.

⚠️ **Respete escrupulosamente as medidas indicadas para cortar o rolo.**



- EN
 - Join the pieces without them overlapping.
 - Do not have any folds.
 - Join the pieces by the edges using single-face adhesive tape.
- ES
 - Junte las piezas sin que se superpongan.
 - No deje pliegues.
 - Una las piezas por los bordes con cinta adhesiva de una cara.
- FR
 - Juxtaposez les lés sans les chevaucher.
 - Ne laissez pas de pli.
 - Collez les lés bord à bord avec l'adhésif simple face.
- DE
 - Verbinden Sie die Stücke, ohne dass sie sich überlagern.
 - Hinterlassen Sie keine Falten.
 - Verbinden Sie die Stücke an den Rändern mit einseitigem Kleband.
- IT
 - Unire i pezzi senza che si sovrappongano.
 - Non lasciare pieghe.
 - Unire i pezzi per i bordi con il nastro adesivo da un lato.
- NL
 - Verbind de stukken zonder dat ze elkaar overlappen.
 - Laat er geen vouwen in zitten.
 - Verbind de randen van de stukken met elkaar met eenzijdig plakband
- PT
 - Junte as peças sem que se sobreponham.
 - Não deixe dobras.
 - Una as peças pelos bordos com fita adesiva de uma face.

EN

ES

FR

DE

IT

NL

PT

BOARDS

TABLAS

MADRIERS

ERDARBEITEN

TAVOLE

PLANKEN

TÁBUAS

Ref. 783333 (E)

Identification of the boards / Identificación de las tablas / Repérage des madriers / Kennzeichnung der Holzbohlen / Identificazione della tavole / Identificatie van de planken / Identificação das tábuas

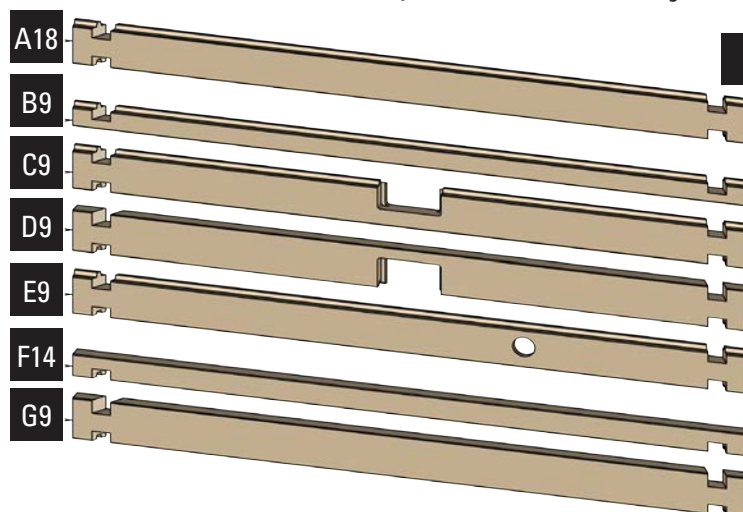


Fig. 7 / Abb. 7 / Afb. 7

IDENTIFICATION/ IDENTIFICACIÓN/ REPÈRE/KENNZEICH- NUNG/IDENTIFICA- ZIONE/IDENTIFICA- TIE/IDENTIFICAÇÃO/	DENOMINATION/DENOMINACIÓN/DÉSIGNATION/BEZEICHNUNG/ DENOMINAZIONE/ BENAMING/DENOMINAÇÃO/	REF/RÉF/ HINWEIS/RIF	CTD/QTÉ/ ANZ/AANT/ TD
A18	Standard board L2000-Cut D45°/G45°-V • Tablero estándar L2000-Corte D45°/G45°-V • Madrier standard L2000-Coupe D45°/G45°-V • Standardbrett L2000-Schnitt D45°/G45°-V • Pannelo standard L2000-Taglio D45°/G45°-V • Standaard plank L2000-Zaagsnede D45°/G45°-V • Tabuleiro padrão L2000-Corte D45°/G45°-V	784638	62
B9	Board with cut-L2000-Cut D45°/G45°-V • Tablero partido-L2000-Corte D45°/G45°-V • Madrier départ-L2000-Coupe D45°/G45°-V • Schnitt L2000-Schnitt D45°/G45°-V • Pannelo taglio L2000-Taglio D45°/G45°-V • Zaagsnede L2000-Zaagsnede D45°/G45°-V • Corte L2000-Corte D45°/G45°-V	784639	4
C9	Board with cut-out for the lower part of the skimmer L2000-Cut D45°/G45°-V • Tabla con muesca para la parte inferior del skimmer-L2000-Corte D45°/G45°-V • Madrier entaillé pour le bas du Skimmer-L2000-Coupe D45°/G45°-V • Holzbrett mit Kerbe für das untere Teil des Skimmers L2000-Schnitt D45°/G45°-V • Tavola con incastro per la parte inferiore dello skimmer L2000-Taglio D45°/G45°-V • Plank met uitsnijding voor het onderste deel van de skimmer L2000-Zaagsnede D45°/G45°-V • Tábua com entalhe para a parte inferior do skimmer L2000-Corte D45°/G45°-V	784640	1
D9	Board with cut-out for the upper part of the skimmer L2000-Cut D45°/G45°-V • Tabla con muesca para la parte superior del skimmer-L2000-Corte D45°/G45°-V • Madrier entaillé pour le haut du Skimmer-L2000-Coupe D45°/G45°-V • Holzbrett mit Kerbe für das obere Teil des Skimmers L2000-Schnitt D45°/G45°-V • Tavola con incastro per la parte superiore dello skimmer L2000-Taglio D45°/G45°-V • Plank met uitsnijding voor het bovenste deel van de skimmer L2000-Zaagsnede D45°/G45°-V • Tábua com entalhe para a parte superior do skimmer L2000-Corte D45°/G45°-V	784641	1
E9	Board with cut-out for the refilling fitting with key L2000-Cut D45°/G45°-V • Tabla con muesca para la boquilla de impulsión-L2000-Corte D45°/G45°-V • Madrier entaillé pour le buse de refoulement-L2000-Corte D45°/G45°-V • Holzbrett mit Kerbe für das Druckventil L2000-Schnitt D45°/G45°-V • Tavola con incastro per l'ugello di mandata L2000-Taglio D45°/G45°-V • Plank met uitsnijding voor het uitsroommondstuk L2000-Zaagsnede D45°/G45°-V • Tábua com entalhe para a boquilha de impulsão L2000-Corte D45°/G45°-V	784642	1
F14	End board L2000-Cut D45°/G45°-V • Tabla final-L2000-Corte D45°/G45°-V • Madrier final-L2000-Corte D45°/G45°-V • Abschließendes Holzbrett L2000-Schnitt D45°/G45°-V • Tavola finale L2000-Taglio D45°/G45°-V • Laatste plank L2000-Zaagsnede D45°/G45°-V • Tábua final L2000-Corte D45°/G45°-V	784643	4
G9	Upper board L2000-Cut D45°/G45°-V • Tabla superior-L2000-Corte D45°/G45°-V • Madrier Supérieur-L2000-Corte D45°/G45°-V • Oberes Brett L2000-Schnitt D45°/G45°-V • Tavola superiore L2000-Taglio D45°/G45°-V • Bovenste plank L2000-Zaagsnede D45°/G45°-V • Tábua superior L2000-Corte D45°/G45°-V	784644	3

Ref. 783333 (E)

EN	PROTECTIVE GROUND BLANKET
ES	MANTA PROTECTORA DE FONDO
FR	FEUTRE DE FOND
DE	SCHUTZDECKE IM UNTERGRUND
IT	COPERTURA DI PROTEZIONE DEL FONDO
NL	BESCHERMDEKEN BODEM
PT	MANTA PROTETORA DE FUNDO

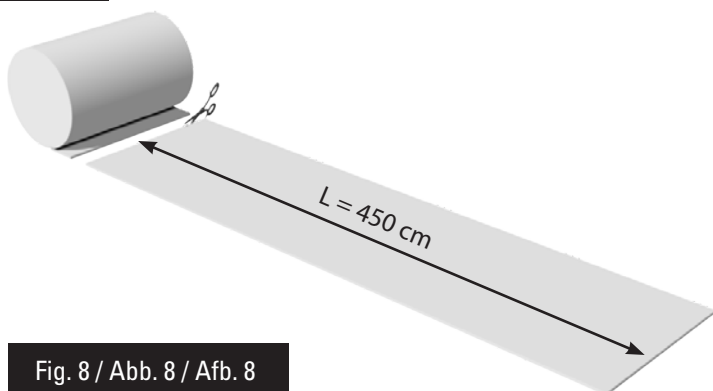


Fig. 8 / Abb. 8 / Afb. 8

- EN** • Unroll the blanket and cut each piece. (It is better to use scissors instead of a cutter)
 • Cut 4 pieces of 450 cm from the roll, of 1.16 m width and 18 m long.
 *The names «Floor protective blanket» and «Wall protective blanket» (included only in some models) are indicated on the packets.
- ES** • Desenrolle la manta y corte cada pieza. (Es mejor utilizar tijera en lugar de cúter)
 • Corte 4 piezas de 450 cm del rollo, de 1,16 m de ancho y 18 m de largo.
 *Los nombres «Manta protectora de fondo» y «Manta protectora de pared» (incluida solo en algunos modelos) se indican en los paquetes.
- FR** • Déroulez le feutre et recoupez chaque longueur. (Préférez l'utilisation de ciseaux à celle d'un cutter)
 • Réalisez 4 lés de 450 cm dans le rouleau de 1,16 m de large et 18 m de long..
 *Les mentions «feutre de fond» et «feutre de paroi» (incluse uniquement dans certains modèles) sont indiquées sur le colis.
- DE** • Entrollen Sie die Decke und schneiden Sie jedes Stück zu. (Es ist besser, eine Schere anstelle eines Cutters zu benutzen)
 • Schneiden Sie 4 Stücke mit jeweils 450 Zentimetern in einer Breite von 1,16 und 18 Meter lang von der Rolle ab.
 *Die Begriffe „Schutzdecke Untergrund“ und „Schutzdecke Wand“ (nur bei einigen Modellen im Lieferumfang enthalten) sind auf den Paketen angegeben.
- IT** • Srotolare la copertura e ritagliare i vari pezzi. (È preferibile utilizzare le forbice e non il taglierino)
 • Tagliare dal rotolo 4 pezzi da 450 cm e di 1,16 m di larghezza e 18 m di lungo.
 *I nomi «Copertura di protezione del fondo» e «Copertura protettiva della parete» (inclusa solo in alcuni modelli) sono indicati nelle confezioni.
- NL** • Rol de bodembedekking af en snijd elk stuk af. (Het is beter een schaar te gebruiken dan een stanleymes)
 • Snij 4 stukken van 450 cm van de rol, van 1,16 m breed en 18 m lang.
 *De namen «Beschermende bodembedekking» en «Beschermende wandbedekking» (alleen bijgeleverd bij bepaalde modellen) zijn op de verpakkingen aangegeven.
- PT** • Desenrole a manta e corte cada peça. (É melhor utilizar tesoura e não estilete)
 • Corte 4 peças de 450 cm do rolo, com 1,16 m de largura e 18 m de largura.
 *Os nomes «Manta protetora de fundo» e «Manta protetora de parede» (incluída apenas nalguns modelos) são indicados nas embalagens.



EN After having done the installation and preparation of the ground you can start with assembling the pool. Start by laying the protective blanket, which should be cut from the roll included*, on the floor.

! Scrupulously respect the indicated measures to cut the roll.

ES Una vez que se ha realizado la instalación del terreno puede comenzar con el montaje del vaso. Empiece por colocar la manta protectora de fondo que debe cortarse del rollo incluido*.

! Respete escrupulosamente las medidas indicadas para cortar.

FR Une fois l'implantation et le terrassement réalisés, vous pouvez débiter le montage du bassin. Commencez par positionner le feutre de fond à découper dans le rouleau fourni*.

! Respectez scrupuleusement les dimensions indiquées pour découper le feutre.

DE Sobald die Installation und die Geländevorbereitung abgeschlossen sind, können Sie mit der Montage des Beckens beginnen. Platzieren Sie zunächst die Schutzdecke für den Untergrund, die von der im Lieferumfang enthaltenen Rolle abgeschnitten werden muss*.

! Beachten Sie die angezeigten Maße genau, wenn Sie die Rolle zuschneiden.

IT Dopo aver ultimato con l'installazione e la preparazione del terreno si può procedere con il montaggio della vasca. Iniziare a sistemare la copertura di protezione del fondo che si deve ritagliare dal rotolo incluso*.

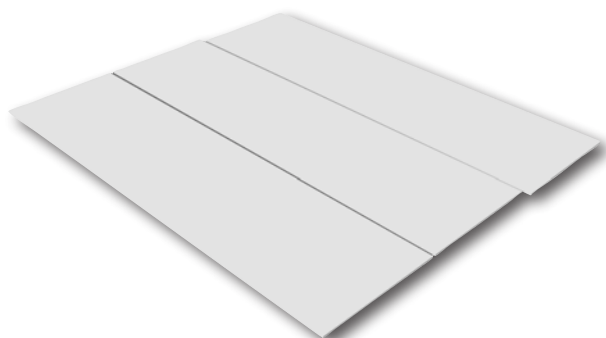
! Rispettare scrupolosamente le misure indicate per tagliare il rotolo.

NL Als de installatie en de voorbereiding van het terrein eenmaal klaar is, kan worden begonnen met de montage van het bassin. Begin met het plaatsen van de beschermende bodembedekking die moet worden afgeknipt van de bijgeleverde rol*.

! Volg de aangegeven maten voor het afsnijden van de rol nauwlettend op.

PT Uma vez realizada a instalação e a preparação do terreno, pode começar a montagem do tanque. Comece colocando a manta protetora de fundo que deve ser cortada do rolo incluído*.

! Respete escrupulosamente as medidas indicadas para cortar o rolo.



- EN** • Join the pieces without them overlaying.
 • Do not have any folds.
 • Join the pieces by the edges using single-face adhesive tape.
- ES** • Junte las piezas sin que se superpongan.
 • No deje pliegues.
 • Una las piezas por los bordes con cinta adhesiva de una cara.
- FR** • Juxtaposez les lés sans les chevaucher.
 • Ne laissez pas de pli.
 • Collez les lés bord à bord avec l'adhésif simple face.
- DE** • Verbinden Sie die Stücke, ohne dass sie sich überlagern.
 • Hinterlassen Sie keine Falten.
 • Verbinden Sie die Stücke an den Rändern mit einseitigem Klebeband.
- IT** • Unire i pezzi senza che si sovrappongano.
 • Non lasciare pieghe.
 • Unire i pezzi per i bordi con il nastro adesivo da un lato.
- NL** • Verbind de stukken zonder dat ze elkaar overlappen.
 • Laat er geen vouwen in zitten.
 • Verbind de randen van de stukken met elkaar met eenzijdig plakband
- PT** • Junte as peças sem que se sobreponham.
 • Não deixe dobras.
 • Una as peças pelos bordos com fita adesiva de uma face.

Ref. 786226 (EG)

EN

ASSEMBLY OF THE STRUCTURE

ES

MONTAJE DE LA ESTRUCTURA

FR

ASSEMBLAGE DE LA STRUCTURE

DE

ZUSAMMENBAU DES TRAGWERKS

IT

MONTAGGIO DELLA STRUTTURA

NL

MONTAGE VAN DE CONSTRUCTIE

PT

MONTAGEM DA ESTRUTURA

ABOVE GROUND INSTALLATION • COLOCACIÓN EN EL SUELO
 • ENCOMBREMMENT AU SOL • POSITIONIERUNG AUF DEM
 BODEN • POSIZIONAMENTO NEL TERRENO • CONSTRUCTIE OP
 GRON • COLOÇÃO NO SOLO

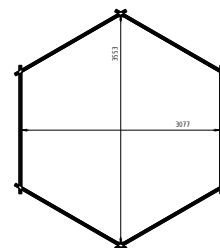


Fig. 9 / Abb. 9 / Afb. 9

Prepare the boards «as trial» • Coloque las tablas «de prueba» • Disposez les madriers «à blanc» • Platzieren Sie die „Test“-Bretter • Posizionare le tavole «di prova»
 • Plaats de planken in «proefopstelling» • Coloque as tábuas «de prova»

EN LAYOUT OF THE BOARDS: Prepare the boards «as trial», forming the silhouette of the pool.

ES DISPOSICIÓN DE LAS TABLAS: Prepare las tablas «de prueba» formando la silueta del vaso.

FR DISPOSITION DES MADRIERS : Préparez vos madriers «à blanc» en formant la silhouette du bassin.

DE ANORDNUNG DER HOLZBRETTER: Bereiten Sie die „Test“-Bretter vor, indem Sie den Umriss des Beckens bilden.

IT DISPOSIZIONE DELLA TAVOLE: Preparare le tavole «di prova» dando la forma della vasca.

NL PLAATSING VAN DE PLANKEN: Plaats de planken in «proefopstelling» zodat ze de omtrek van het bassin aangeven.

PT DISPOSIÇÃO DAS TÁBUAS: Prepare as tábuas «de prova» formando a silhueta do tanque.

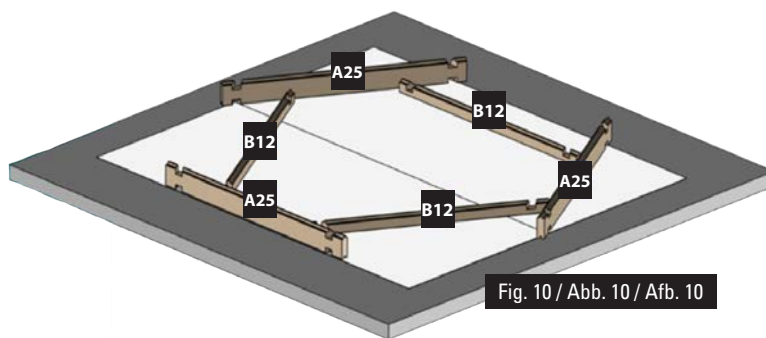


Fig. 10 / Abb. 10 / Afb. 10

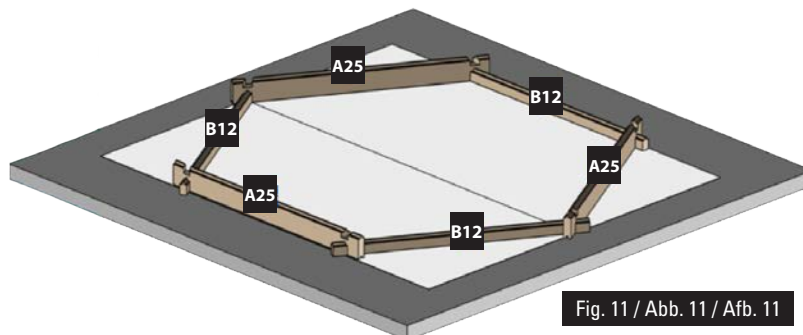


Fig. 11 / Abb. 11 / Afb. 11

EN INSTALLATION OF THE FIRST LAYER OF BOARDS: • Build the first crossing one (B12) board with an (A25) board. • Adjust the shape of the pool using the inside dimensions indicated in the installation diagram (see page 20). • The drawing shows the inside dimensions of the pool for the different opposing diagonals.

ES COLOCACIÓN DE LA PRIMERA FILA DE TABLAS: • Construya la primera cruzando una tabla (B12) y una tabla (A25). • Ajuste la forma de la piscina utilizando las dimensiones interiores en el plano de instalación (ver página 20). • El plano presenta las dimensiones interiores de la piscina para las distintas diagonales opuestas.

FR POSITIONNEMENT DE LA 1ÈRE RANGÉE DE MADRIERS : • Constituez la première rangée, en croisant un madrier (B12) et un madrier (A25). • Ajustez la forme de la piscine en vous aidant des dimensions intérieures indiquées sur le plan d'implantation (Voir page 20). • Le plan donne les dimensions intérieures du bassin pour les différentes diagonales opposées.

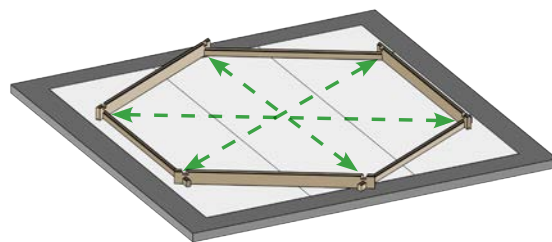
DE POSITIONIERUNG DER ERSTEN REIHE VON BRETTERN: • Errichten Sie erste Reihe, indem Sie ein (B12) und (A25) Brett kreuzen. • Passen Sie die Form des Pools an, indem Sie die angezeigten Innenmaße verwenden, die in der Einbauzeichnung (Siehe Seite 20) aufgeführt sind. • Die Zeichnung zeigt die Innenmaße des Pools für die verschiedenen gegenüberliegenden Diagonalen.

IT POSIZIONAMENTO DELLA PRIMA FILA DI TAVOLE: • Costruire la prima incrociando una tavola (B12) e una tavola (A25). • Regolare la forma della piscina utilizzando le dimensioni interne indicate nel disegno di installazione (Vedere a pagina 20). • Il disegno mostra le dimensioni interne della piscina per le diverse diagonali opposte.

NL PLAATSING VAN DE EERSTE RIJ PLANKEN: • Construeer de eerste rij door een plank (B12) te kruisen met een plank (A25). • Plan de vorm van het zwembad aan waarbij u gebruik maakt van de interne afmetingen die zijn aangegeven op het montageplan (Zie pagina 20). • Het plan geeft interne afmetingen van het zwembad aan voor de verschillende tegenover elkaar liggende diagonale lijnen.

PT POSIZIONAMENTO DELLA PRIMA FILA DI TAVOLE: • Construa a primeira fila cruzando uma tábuas (B12) e uma tábuas (A25). • Ajuste a forma da piscina utilizando as dimensões interiores indicadas no plano de instalação (Ver página 20). • O plano apresenta as dimensões interiores da piscina para as distintas diagonais opostas.

- EN** After having installed the first layer, you should check the inside dimensions of the pool. For a perfect assembly, the diagonals should be equal, and in conformity with the assembly drawing at the end of this manual. **Take special care when installing this first layer of boards. The precision of this assembly decides the final quality of your pool.**
- ES** Tras colocar la primera fila, es imprescindible efectuar un control de las dimensiones interiores de la piscina. Para un montaje perfecto, las diagonales deben ser iguales y conformes al plano de montaje del final de este manual. **Procure poner el mayor de los cuidados en la colocación de esta primera fila de tablas. La precisión de este montaje determina la calidad de realización de su piscina.**
- FR** Après avoir positionné la première rangée, il est impératif d'effectuer un contrôle des dimensions intérieures du bassin. Pour un montage parfait, les diagonales doivent être égales et conformes au plan de montage en fin de notice. **Veillez apporter le plus grand soin au positionnement de cette première rangée de madriers. La précision de ce montage détermine la qualité de réalisation de votre piscine!**
- DE** Nachdem Sie die erste Reihe errichtet haben, müssen Sie unbedingt die Innenmaße des Pools kontrollieren. Für eine perfekte Montage müssen die Diagonalen gleich sein und mit dem Einbauplan am Ende dieses Handbuchs übereinstimmen. **Versuchen Sie, diese erste Reihe von Brettern mit größter Sorgfalt zu verlegen. Die Genauigkeit beim Zusammenbau bestimmt die Qualität der Ausführung Ihres Pools.**
- IT** Dopo aver posizionato la prima fila, le dimensioni interne della piscina devono essere verificate. Per un montaggio perfetto, le diagonali devono essere uguali e conformi al piano di montaggio alla fine del presente manuale. **Posizionare questa prima fila di tavole con la maggior attenzione possibile. La precisione di questa parte del montaggio è determinante nella realizzazione della piscina.**
- NL** Nadat de eerste rij is geplaatst, is het van het grootste belang om de interne afmetingen van het zwembad te controleren. Voor een perfecte montage, moeten de diagonalen gelijk zijn en in overeenstemming met het montageplan aan het einde van deze handleiding. **Betracht de grootst mogelijke zorg bij het plaatsen van deze eerste rij planken. De precisie bij deze montage bepaalt de kwaliteit van uitvoering van uw zwembad.**
- PT** Depois de ter colocado a primeira fila, é imprescindível efetuar um controlo das dimensões interiores da piscina. Para uma montagem perfeita, as diagonais devem ser iguais e conformes ao plano de montagem do final deste manual. **Tente pôr o maior cuidado na colocação desta primeira fila de tábuas. A precisão desta montagem determina a qualidade de realização da piscina.**



Using a mallet, hit the wooden wedge so it fits deeply into the boards • Con ayuda de un mazo, golpee la cuña de madera para encajar en profundidad las tablas • A l'aide d'un maillet, frappez sur le cale en bois pour emboîter à fond les madriers • Schlagen Sie mit Hilfe eines Holzhammers auf den Holzkeil, um die Bretter voll und ganz einzupassen • Con l'aiuto di una mazza, colpire il cuneo di legno per incastrare le tavole in profondità • Sla de houten wig met behulp van een rubberhamer op zijn plek om de planken zo stevig mogelijk in elkaar te laten passen • Com a ajuda de um maço, bata no calço de madeira para encaixar as tábuas em profundidade

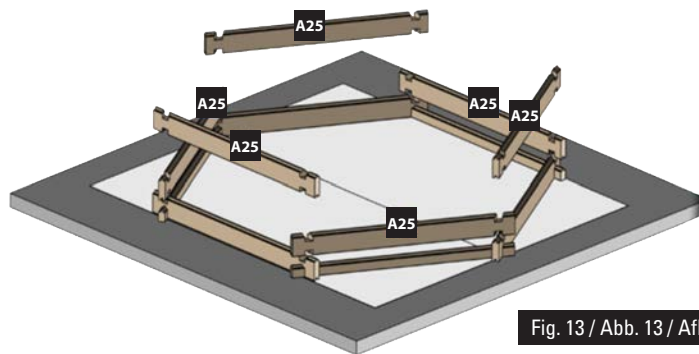


Fig. 13 / Abb. 13 / Afb. 13



Layout of the boards • Disposición de las tablas • Positionnement des madriers • Anordnung der Holzbretter • Disposizione delle tavole • Plaatsing van de planken • Disposição das tábuas

- EN 2nd LAYER OF BOARDS:** • Assemble the second layer with the help of the (A25) boards. • There is a wooden wedge in the structure packet to correctly assemble the boards. • Never directly hit against the boards. You would damage the pegs and would weaken the structure. Do not hit them with anything metallic. This would inevitably damage the wood. • Try to correctly assemble the boards right from the start. There should not be any space between each layer of boards to avoid maladjustment of the higher boards.
- ES 2ª FILA DE TABLAS:** • Monte la segunda fila con la ayuda de las tablas (A25). • Para ensamblar correctamente las tablas dispone de una cuña de madera en el paquete de estructura. No golpee las tablas directamente. Estropearía las espigas y perjudicaría la solidez de la estructura. No golpee con una pieza metálica. Deterioraría la madera irremediablemente. • Procure ensamblar profundamente las tablas desde el principio. No debe haber espacio entre cada fila para evitar un desajuste en las maderas superiores.
- FR 2ÈME RANGÉE DE MADRIERS :** • Montez la seconde rangée à l'aide des madriers (A25). • De manière à emboîter correctement les madriers, une cale en bois est à votre disposition dans le colis de structure. • Ne pas taper directement sur les madriers. Cela abîmerait les languettes et nuirait à la solidité de la structure. • Ne pas frapper avec une pièce métallique. Cela détériorerait le madrier irrémédiablement. • Veillez à emboîter bien à fond les madriers dès le départ. Il ne doit pas y avoir d'espace entre chaque rangée pour éviter un décalage au niveau des madriers supérieurs.
- DE 2. BRETTERREIHE:** • Bringen Sie die zweite Reihe mit Hilfe der (A25)-Bretter an. • Um die Bretter richtig anbringen zu können, finden Sie einen Holzkeil im Paket des Tragwerks. • Nicht direkt auf die Bretter klopfen. Das würde die Zapfen und die Festigkeit des Tragwerks beschädigen. • Nicht mit einem Metallteil darauf klopfen. Es würde das Holz unabänderlich beschädigen. • Versuchen Sie, die Bretter von Anfang an tiefgehend ineinander zu fügen. Zwischen den Reihen darf kein Platz sein, um eine Fehlanpassung der oberen Bretter zu vermeiden.
- IT 2ª FILA DI TAVOLE:** • Montare la seconda fila con l'aiuto delle tavole (A25). • Per assemblare correttamente le tavole nell'imballaggio della struttura è incluso un cuneo di legno. • Non colpire direttamente le tavole. Il tenone si rovinerebbe e la solidità della struttura sarebbe pregiudicata. • Non colpire con un oggetto metallico. Il legno si deteriorerebbe irrimediabilmente. • Assemblare correttamente le tavole dall'inizio. Non vi deve essere spazio tra una fila e l'altra per evitare una sconnessione nelle parti superiori.
- NL 2ª RIJ PLANKEN:** • Monteer de tweede rij met behulp van de planken (A25). Om de planken correct te assembleren, zit er een houten wig in het pakket van het frame. • Sla niet direct op de planken. Daardoor gaan het profiel kapot en wordt de stevigheid van het frame ondermijnd. • Sla er niet direct op met metaal. Hierdoor raakt het hout onherstelbaar beschadigd. • Zorg ervoor dat de planken vanaf het begin stevig op elkaar aansluiten. Er mag geen ruimte tussen de rijen overblijven, om te voorkomen dat de bovenste houtdelen onregelmatig uitkomen.
- PT 2.ª FILA DE TÁBUAS:** • Monte a segunda fila com a ajuda das tábuas (A25). • Para ensamblar corretamente as tábuas, conta com um calço de madeira na embalagem de estrutura. • Não bata nas tábuas diretamente. Estragaria as espigas e prejudicaria a solidez da estrutura. • Não bata nelas com uma peça metálica. Deterioraria a madeira irremediavelmente. • Tente ensamblar profundamente as tábuas desde o princípio. Não deve haver espaço entre cada fila para evitar um desajuste nas madeiras superiores.

EN IMPORTANT: It is very important that the boards are correctly installed, above all the bottom ones, (where the water pressure is greater). There is a possibility of some boards coming loose. This is completely normal because wood is a living material. Even loose, the board may be installed. Follow these steps: • Position and fit one of the two sides of the boards. • Redirect the other side using a joint closer. • Fit the board using a mallet and wooden wedge.

ES IMPORTANTE: Es importante que las tablas estén correctamente encajadas, sobre todo las de abajo (donde la presión del agua será más fuerte). Es posible que se suelten algunas tablas. Esto es completamente normal porque la madera es un material vivo. Incluso suelta, es posible colocar la tabla. Siga estos pasos: • Presente y enganche uno de los dos lados de la tabla. • Redirija el otro lado con ayuda de un cierra juntas. • Encaje la tabla ayudándose de un mazo y de la cuña de madera.

FR IMPORTANT : Il est important que les madriers soient emboîtés correctement, surtout ceux du bas (là où la pression de l'eau sera la plus forte). Il est possible que certains madriers soient voilés. Cela est tout à fait normal du fait que le bois est un matériaux vivant. Même voilé, il est possible de positionner un madrier. Il faut procéder de la manière suivante : • Présentez et enclenchez un des deux côtés du madrier. • Redressez l'autre côté à l'aide d'un serre joint. • Emboitez le madrier en vous servant d'un maillet et de la cale en bois.

DE WICHTIG: Es ist wichtig, dass die Holzbretter, vor allem die unteren (wo der Druck des Wassers stärker ist), richtig eingepasst werden. Es kann sein, dass sich einige Holzbretter ablösen. Das ist völlig normal, da Holz ein lebendiges Material ist. Selbst abgelöst lässt sich das Holzbrett anbringen. Gehen Sie folgendermaßen vor: • Nehmen Sie eine Seite des Bretts und haken Sie sie ein. • Richten Sie die andere Seite mit Hilfe einer Schraubzwinde neu aus. • Passen Sie das Brett mit Hilfe eines Holzhammers und des Holzkeils ein.

IT IMPORTANTE: È importante che le tavole siano incastrate correttamente, soprattutto quelle in basso (dove la pressione dell'acqua sarà maggiore). È possibile che alcune tavole si allentino. Ciò è assolutamente normale perché il legno è un materiale vivo. Sebbene allentata, è possibile posizionare la tavola. Seguire questi passaggi: • Appoggiare e collegare uno dei due lati della tavola. • Ridirigere l'altro lato con l'aiuto di un morsetto a vite. • Incastrare la tavola aiutandosi con una mazza e il cuneo di legno.

NL BELANGRIJK: Het is belangrijk dat de planken correct en stevig op elkaar aansluiten, vooral de onderste (waar de waterdruk het sterkst zal zijn). Het is mogelijk dat enkele planken zijn kromgetrokken. Dit is volstrekt normaal omdat hout een levend materiaal is. Zelfs krom, is het mogelijk de plank te plaatsen. Volg deze stappen: • Neem een van de twee kanten van de plank en plaats tand en groef op elkaar. • Duw de andere kant terug naar zijn plaats met behulp van een lijmkleem. • Bevestig de plank op zijn plek met behulp van een rubberhamer en houten wig.

PT IMPORTANTE: É importante que as tábuas estejam corretamente encaixadas, sobretudo as de abaixo (onde a pressão da água será mais forte). É possível que algumas tábuas se soltem. Isto é completamente normal porque a madeira é um material vivo. Mesmo solta, é possível colocar a tábua. Siga estes passos: • Situe e engate um dos dois lados da tábua. • Redirija o outro lado com a ajuda de um aperta-juntas. • Encaixe a tábua ajudando-se com um maço e o calço de madeira.



Loose board • Tabla suelta • Madrier voilé • Loses Brett • Tavola libera
• Losse plank • Tábua solta



Redirected board • Tabla redirigida
• Madrier redressé • neu ausgerichtetes Brett • Tavola riposizionata
• Rechtgebogen plank • Tábua redirigida

3rd LAYER OF BOARDS: The position of the refilling fitting with the key and the skimmer should be defined at the start of the assembly (read the specific paragraphs).

3ª FILA TABLAS: Debe determinar la ubicación de la boquilla de salida y del skimmer desde el principio del montaje (lea los párrafos específicos).

3ÈME RANGÉE MADRIERS : Vous devez avoir déterminé l'emplacement de la buse de refoulement et du skimmer dès le début du montage (voir paragraphes spécifiques).

3. BRETTERRIHE: Zu Beginn der Montage müssen Sie die Lage des Druckventils und des Skimmers festlegen (lesen Sie hierzu die entsprechenden Abschnitte).

3ª FILA DI TAVOLE: La posizione dell'ugello di mandata e dello skimmer deve essere determinata all'inizio del montaggio (leggere i paragrafi dedicati).

3ª RIJ PLANKEN: U moet al bij aanvang van de montage bepalen op welke plaats het uitstroombondstuk en de skimmer moet komen (less de betreffende paragrafen).

3.ª FILA DE TÁBUAS: Deve determinar a localização da boquilha de impulsão e do skimmer desde o começo da montagem (leia os parágrafos específicos).

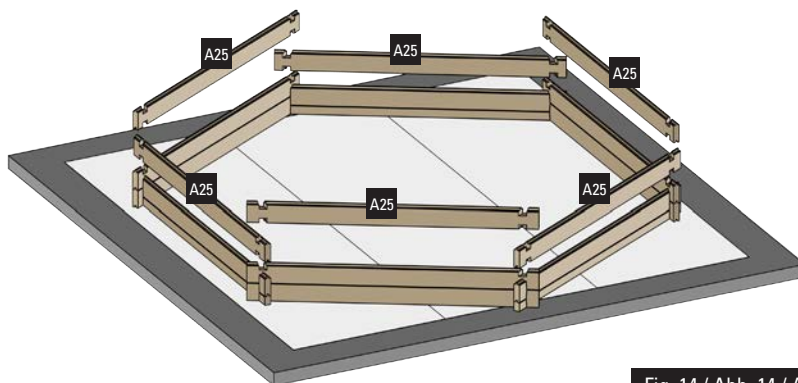
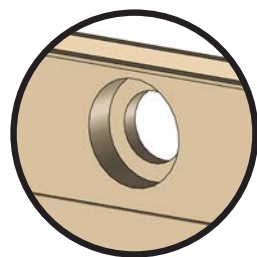
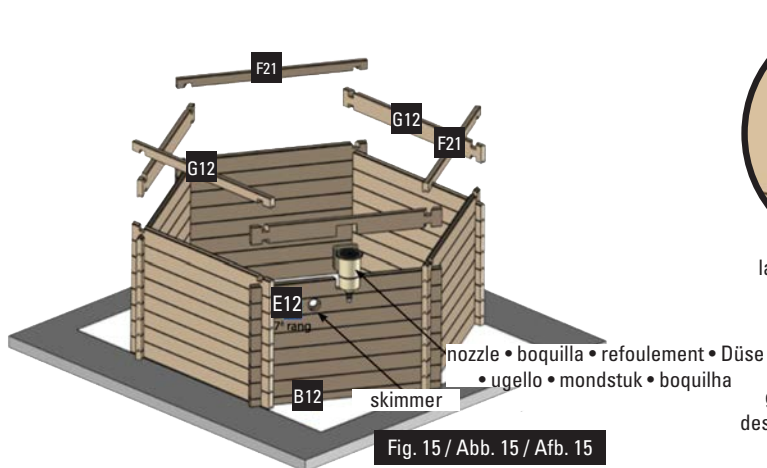


Fig. 14 / Abb. 14 / Afb. 14

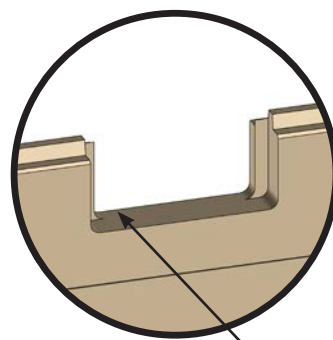
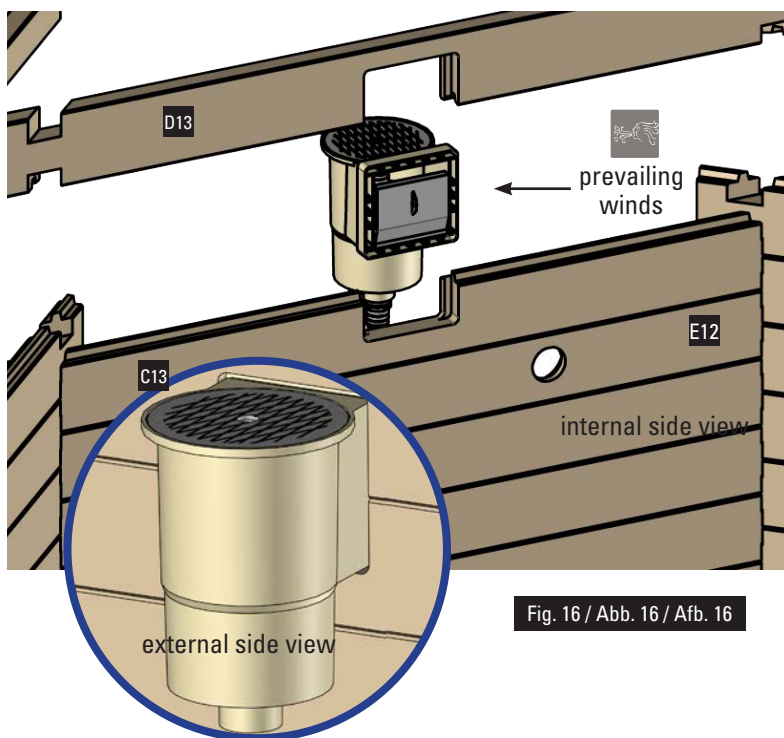
SPECIFIC BOARDS: Refilling fitting with key: place the specific board for the refilling with key (E7) situating the larger diameter on the external side of the pool.
TABLAS ESPECÍFICAS: Boquilla de impulsión: coloque la tabla específica para la boquilla de salida (E7) situando el refrentado en el lado externo de la piscina.
MADRIERS SPÉCIFIQUES : Buse de refoulement: placez le madrier spécifique de la buse de refoulement (E7) en plaçant les lamages côté extérieur de la piscine.
SPEZIFISCHE BRETTER: Druckventil: bringen Sie das für das Druckventil gedachte Brett (E7) an, indem Sie die Senkung an der externen Seite des Pools platzieren.
TAVOLE SPECIFICHE: Ugello di mandata: posizionare la tavola specifica per l'ugello di mandata (E7) con il lato esterno nel lato esterno della piscina.
SPECIFIEKE PLANKEN: Uitstroommondstuk: plaats de plank die speciaal het uitstroommondstuk is (E7) waarbij het gefreesde gat aan de buitenzijde van het zwembad wordt geplaatst.
TAVOLE SPECIFICHE: Boquilha de impulsão: coloque a tábua específica para a boquilha de impulsão (E7) situando o desempenamento no lado externo da piscina.



larger diameter on exterior
 refrentado lado exterior
 lamage côté extérieur
 Senkung äußere Seite
 lato esterno
 gefreesde gat buitenzijde
 desempenamento lado exterior

Fig. 15 / Abb. 15 / Afb. 15

- EN Skimmer:** • Place the specific boards of the skimmer facing the prevailing winds. Boards (C13) and (D13) will always be placed over a panel starting by board (B12) (figure 15). • The skimmer will not be stable until the pool is filled. **The skimmer (with its flap) is fitted as the same time as the finishing board.**
- ES Skimmer:** • Coloque las tablas específicas para el skimmer de cara a los vientos dominantes. Las tablas (C13) y (D13) se colocan siempre sobre un panel empezando por la tabla (B12) (figura 15). • Mientras no se llene la piscina, el skimmer no está estable. **El skimmer (junto con su trampilla) se encaja al mismo tiempo que la tabla de acabado.**
- FR Skimmer:** • Placez les madriers spécifiques au skimmer face aux vents dominants. Les madriers (C13) et (D13) se positionnent toujours sur un pan commençant par un madrier (B12) (figure 15). • Tant que le bassin n'est pas rempli, le skimmer ne sera pas stable. **Le skimmer (avec son volet) s'emboîte en même temps que le madrier de finition.**
- DE Skimmer:** • Platzieren Sie die für den Skimmer vorgesehenen Bretter den vorherrschenden Winden zugewandt. Die Bretter (C13) und (D13) werden immer auf eine Verkleidung gesetzt, wobei Sie mit Brett (B12) beginnen (Abb 15). • Solange der Pool nicht gefüllt wird, ist der Skimmer nicht stabil. **Der Skimmer (und seine Klappe) wird zur gleichen Zeit wie das abschließende Brett eingepasst.**
- IT Skimmer:** • Posizionare le tavole specifiche per lo skimmer controvento rispetto ai venti dominanti. Le tavole (C13) e (D13) si posizionano sempre sopra un pannello iniziando con la tavola (B12) (figura 15). • Fino a che la piscina non sarà piena, lo skimmer non sarà stabile. **Lo skimmer (insieme al suo sportello) deve essere incastrato nello stesso momento della tavola di rifinitura.**
- NL Skimmer:** • Plaats de planken die specifiek voor de skimmer zijn met het gezicht op de overheersende windrichting. De planken (C13) en (D13) worden altijd op een paneel geplaatst en er wordt begonnen met plank (B12) (afbeelding 15). • Zolang het zwembad niet is gevuld, zal de skimmer niet stabiel zijn. **De skimmer (samen met zijn afsluiter) wordt op het zelfde moment ertussen gezet als de plank voor de afwerking.**
- PT Skimmer:** • Coloque as tábuas específicas para o skimmer voltado para os ventos dominantes. As tábuas (C13) e (D13) são colocadas sempre sobre um painel a começar pela tábua (B12) (figura 15). • Enquanto a piscina não seja enchida, o skimmer não será estável. **O skimmer (juntamente com a sua válvula) encaixa-se ao mesmo tempo que a tábua de acabamento.**



internal side
 cut-outs

Fig. 16 / Abb. 16 / Afb. 16

Ref. 783331 (E) (EG)

EN

ASSEMBLY OF THE STRUCTURE

ES

MONTAJE DE LA ESTRUCTURA

FR

ASSEMBLAGE DE LA STRUCTURE

DE

ZUSAMMENBAU DES TRAGWERKS

IT

MONTAGGIO DELLA STRUTTURA

NL

MONTAGE VAN DE CONSTRUCTIE

PT

MONTAGEM DA ESTRUTURA

ABOVE GROUND INSTALLATION • COLOCACIÓN EN EL SUELO
• ENCOMBREMMENT AU SOL • POSITIONIERUNG AUF DEM
BODEN • POSIZIONAMENTO NEL TERRENO • CONSTRUCTIE OP
GRON • COLOÇÃO NO SOLO

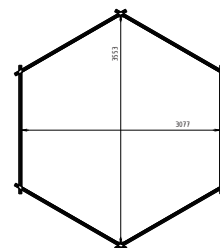


Fig. 9 / Abb. 9 / Afb. 9

Prepare the boards «as trial» • Coloque las tablas «de prueba» • Disposez les madriers «à blanc» • Platzieren Sie die „Test“-Bretter • Posizionare le tavole «di prova»
• Plaats de planken in «proefopstelling» • Coloque as tábuas «de prova»

EN LAYOUT OF THE BOARDS: Prepare the boards «as trial», forming the silhouette of the pool.

ES DISPOSICIÓN DE LAS TABLAS: Prepare las tablas «de prueba» formando la silueta del vaso.

FR DISPOSITION DES MADRIERS : Préparez vos madriers «à blanc» en formant la silhouette du bassin.

DE ANORDNUNG DER HOLZBRETTER: Bereiten Sie die „Test“-Bretter vor, indem Sie den Umriss des Beckens bilden.

IT DISPOSIZIONE DELLA TAVOLE: Preparare le tavole «di prova» dando la forma della vasca.

NL PLAATSING VAN DE PLANKEN: Plaats de planken in «proefopstelling» zodat ze de omtrek van het bassin aangeven.

PT DISPOSIÇÃO DAS TÁBUAS: Prepare as tábuas «de prova» formando a silhueta do tanque.

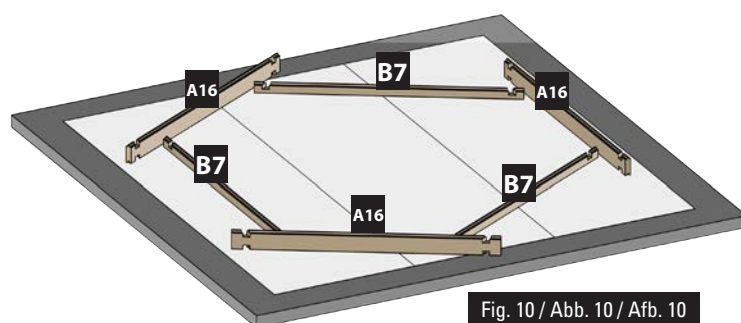


Fig. 10 / Abb. 10 / Afb. 10

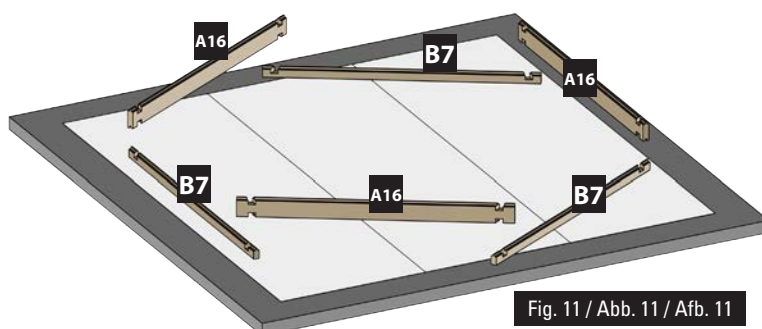


Fig. 11 / Abb. 11 / Afb. 11

EN INSTALLATION OF THE FIRST LAYER OF BOARDS: • Build the first crossing one (B7) board with an (A16) board. • Adjust the shape of the pool using the inside dimensions indicated in the installation diagram (see page 20). • The drawing shows the inside dimensions of the pool for the different opposing diagonals.

ES COLOCACIÓN DE LA PRIMERA FILA DE TABLAS: • Construya la primera cruzando una tabla (B7) y una tabla (A16). • Ajuste la forma de la piscina utilizando las dimensiones interiores en el plano de instalación (ver página 20). • El plano presenta las dimensiones interiores de la piscina para las distintas diagonales opuestas.

FR POSITIONNEMENT DE LA 1ÈRE RANGÉE DE MADRIERS : • Constituez la première rangée, en croisant un madrier (B7) et un madrier (A16). • Ajustez la forme de la piscine en vous aidant des dimensions intérieures indiquées sur le plan d'implantation (Voir page 20). • Le plan donne les dimensions intérieures du bassin pour les différentes diagonales opposées.

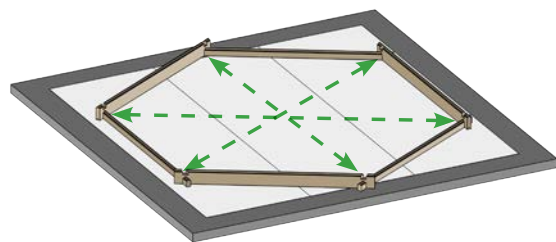
DE POSITIONIERUNG DER ERSTEN REIHE VON BRETTERN: • Errichten Sie erste Reihe, indem Sie ein (B7) und (A16) Brett kreuzen. • Passen Sie die Form des Pools an, indem Sie die angezeigten Innenmaße verwenden, die in der Einbauzeichnung (Siehe Seite 20) aufgeführt sind. • Die Zeichnung zeigt die Innenmaße des Pools für die verschiedenen gegenüberliegenden Diagonalen.

IT POSIZIONAMENTO DELLA PRIMA FILA DI TAVOLE: • Costruire la prima incrociando una tavola (B7) e una tavola (A16). • Regolare la forma della piscina utilizzando le dimensioni interne indicate nel disegno di installazione (Vedere a pagina 20). • Il disegno mostra le dimensioni interne della piscina per le diverse diagonali opposte.

NL PLAATSING VAN DE EERSTE RIJ PLANKEN: • Construeer de eerste rij door en plank (B7) te kruisen met een plank (A16). • Plan de vorm van het zwembad aan waarbij u gebruik maakt van de interne afmetingen die zijn aangegeven op het montageplan (Zie pagina 20). • Het plan geeft interne afmetingen van het zwembad aan voor de verschillende tegenover elkaar liggende diagonale lijnen.

PT POSIZIONAMENTO DELLA PRIMA FILA DI TAVOLE: • Construa a primeira fila cruzando uma tábuas (B7) e uma tábuas (A16). • Ajuste a forma da piscina utilizando as dimensões interiores indicadas no plano de instalação (Ver página 20). • O plano apresenta as dimensões interiores da piscina para as distintas diagonais opostas.

- EN** After having installed the first layer, you should check the inside dimensions of the pool. For a perfect assembly, the diagonals should be equal, and in conformity with the assembly drawing at the end of this manual. **Take special care when installing this first layer of boards. The precision of this assembly decides the final quality of your pool.**
- ES** Tras colocar la primera fila, es imprescindible efectuar un control de las dimensiones interiores de la piscina. Para un montaje perfecto, las diagonales deben ser iguales y conformes al plano de montaje del final de este manual. **Procure poner el mayor de los cuidados en la colocación de esta primera fila de tablas. La precisión de este montaje determina la calidad de realización de su piscina.**
- FR** Après avoir positionné la première rangée, il est impératif d'effectuer un contrôle des dimensions intérieures du bassin. Pour un montage parfait, les diagonales doivent être égales et conformes au plan de montage en fin de notice. **Veillez apporter le plus grand soin au positionnement de cette première rangée de madriers. La précision de ce montage détermine la qualité de réalisation de votre piscine!**
- DE** Nachdem Sie die erste Reihe errichtet haben, müssen Sie unbedingt die Innenmaße des Pools kontrollieren. Für eine perfekte Montage müssen die Diagonalen gleich sein und mit dem Einbauplan am Ende dieses Handbuchs übereinstimmen. **Versuchen Sie, diese erste Reihe von Brettern mit größter Sorgfalt zu verlegen. Die Genauigkeit beim Zusammenbau bestimmt die Qualität der Ausführung Ihres Pools.**
- IT** Dopo aver posizionato la prima fila, le dimensioni interne della piscina devono essere verificate. Per un montaggio perfetto, le diagonali devono essere uguali e conformi al piano di montaggio alla fine del presente manuale. **Posizionare questa prima fila di tavole con la maggior attenzione possibile. La precisione di questa parte del montaggio è determinante nella realizzazione della piscina.**
- NL** Nadat de eerste rij is geplaatst, is het van het grootste belang om de interne afmetingen van het zwembad te controleren. Voor een perfecte montage, moeten de diagonalen gelijk zijn en in overeenstemming met het montageplan aan het einde van deze handleiding. **Betracht de grootst mogelijke zorg bij het plaatsen van deze eerste rij planken. De precisie bij deze montage bepaalt de kwaliteit van uitvoering van uw zwembad.**
- PT** Depois de ter colocado a primeira fila, é imprescindível efetuar um controlo das dimensões interiores da piscina. Para uma montagem perfeita, as diagonais devem ser iguais e conformes ao plano de montagem do final deste manual. **Tente pôr o maior cuidado na colocação desta primeira fila de tábuas. A precisão desta montagem determina a qualidade de realização da piscina.**



Using a mallet, hit the wooden wedge so it fits deeply into the boards • Con ayuda de un mazo, golpee la cuña de madera para encajar en profundidad las tablas • A l'aide d'un maillet, frappez sur le cale en bois pour emboîter à fond les madriers • Schlagen Sie mit Hilfe eines Holzhammers auf den Holzkeil, um die Bretter voll und ganz einzupassen • Con l'aiuto di una mazza, colpire il cuneo di legno per incastrare le tavole in profondità • Sla de houten wig met behulp van een rubberhamer op zijn plek om de planken zo stevig mogelijk in elkaar te laten passen • Com a ajuda de um maço, bata no calço de madeira para encaixar as tábuas em profundidade

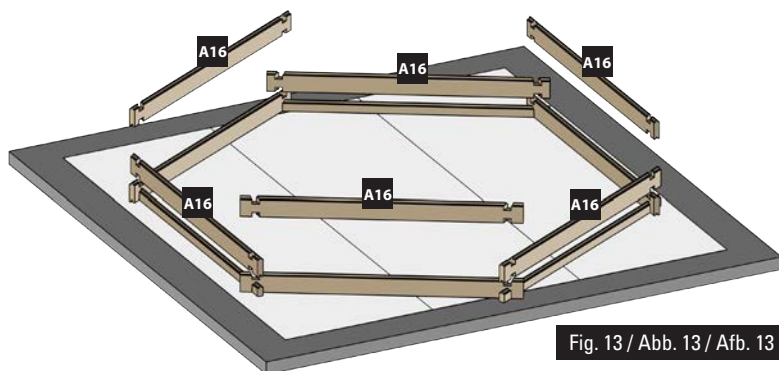


Fig. 13 / Abb. 13 / Afb. 13



Layout of the boards • Disposición de las tablas • Positionnement des madriers • Anordnung der Holzbretter • Disposizione delle tavole • Plaatsing van de planken • Disposição das tábuas

- EN 2nd LAYER OF BOARDS:** • Assemble the second layer with the help of the (A16) boards. • There is a wooden wedge in the structure packet to correctly assemble the boards. • Never directly hit against the boards. You would damage the pegs and would weaken the structure. Do not hit them with anything metallic. This would inevitably damage the wood. • Try to correctly assemble the boards right from the start. There should not be any space between each layer of boards to avoid maladjustment of the higher boards.
- ES 2ª FILA DE TABLAS:** • Monte la segunda fila con la ayuda de las tablas (A16). • Para ensamblar correctamente las tablas dispone de una cuña de madera en el paquete de estructura. No golpee las tablas directamente. Estropearía las espigas y perjudicaría la solidez de la estructura. No golpee con una pieza metálica. Deterioraría la madera irremediablemente. • Procure ensamblar profundamente las tablas desde el principio. No debe haber espacio entre cada fila para evitar un desajuste en las maderas superiores.
- FR 2ÈME RANGÉE DE MADRIERS :** • Montez la seconde rangée à l'aide des madriers (A16). • De manière à emboîter correctement les madriers, une cale en bois est à votre disposition dans le colis de structure. • Ne pas taper directement sur les madriers. Cela abîmerait les languettes et nuirait à la solidité de la structure. • Ne pas frapper avec une pièce métallique. Cela détériorerait le madrier irrémédiablement. • Veillez à emboîter bien à fond les madriers dès le départ. Il ne doit pas y avoir d'espace entre chaque rangée pour éviter un décalage au niveau des madriers supérieurs.
- DE 2. BRETTERREIHE:** • Bringen Sie die zweite Reihe mit Hilfe der (A16)-Bretter an. • Um die Bretter richtig anbringen zu können, finden Sie einen Holzkeil im Paket des Tragwerks. • Nicht direkt auf die Bretter klopfen. Das würde die Zapfen und die Festigkeit des Tragwerks beschädigen. • Nicht mit einem Metallteil darauf klopfen. Es würde das Holz unabänderlich beschädigen. • Versuchen Sie, die Bretter von Anfang an tiefgehend ineinander zu fügen. Zwischen den Reihen darf kein Platz sein, um eine Fehlanpassung der oberen Bretter zu vermeiden.
- IT 2ª FILA DI TAVOLE:** • Montare la seconda fila con l'aiuto delle tavole (A16). • Per assemblare correttamente le tavole nell'imballaggio della struttura è incluso un cuneo di legno. • Non colpire direttamente le tavole. Il tenone si rovinerebbe e la solidità della struttura sarebbe pregiudicata. • Non colpire con un oggetto metallico. Il legno si deteriorerebbe irrimediabilmente. • Assemblare correttamente le tavole dall'inizio. Non vi deve essere spazio tra una fila e l'altra per evitare una sconnessione nelle parti superiori.
- NL 2ª RIJ PLANKEN:** • Monteer de tweede rij met behulp van de planken (A16). Om de planken correct te assembleren, zit er een houten wig in het pakket van het frame. • Sla niet direct op de planken. Daardoor gaan het profiel kapot en wordt de stevigheid van het frame ondermijnd. • Sla er niet direct op met metaal. Hierdoor raakt het hout onherstelbaar beschadigd. • Zorg ervoor dat de planken vanaf het begin stevig op elkaar aansluiten. Er mag geen ruimte tussen de rijen overblijven, om te voorkomen dat de bovenste houtdelen onregelmatig uitkomen.
- PT 2.ª FILA DE TÁBUAS:** • Monte a segunda fila com a ajuda das tábuas (A16). • Para ensamblar corretamente as tábuas, conta com um calço de madeira na embalagem de estrutura. • Não bata nas tábuas diretamente. Estragaria as espigas e prejudicaria a solidez da estrutura. • Não bata nelas com uma peça metálica. Deterioraria a madeira irremediavelmente. • Tente ensamblar profundamente as tábuas desde o princípio. Não deve haver espaço entre cada fila para evitar um desajuste nas madeiras superiores.

EN IMPORTANT: It is very important that the boards are correctly installed, above all the bottom ones, (where the water pressure is greater). There is a possibility of some boards coming loose. This is completely normal because wood is a living material. Even loose, the board may be installed. Follow these steps: • Position and fit one of the two sides of the boards. • Redirect the other side using a joint closer. • Fit the board using a mallet and wooden wedge.

ES IMPORTANTE: Es importante que las tablas estén correctamente encajadas, sobre todo las de abajo (donde la presión del agua será más fuerte). Es posible que se suelten algunas tablas. Esto es completamente normal porque la madera es un material vivo. Incluso suelta, es posible colocar la tabla. Siga estos pasos: • Presente y enganche uno de los dos lados de la tabla. • Redirija el otro lado con ayuda de un cierra juntas. • Encaje la tabla ayudándose de un mazo y de la cuña de madera.

FR IMPORTANT : Il est important que les madriers soient emboîtés correctement, surtout ceux du bas (là où la pression de l'eau sera la plus forte). Il est possible que certains madriers soient voilés. Cela est tout à fait normal du fait que le bois est un matériaux vivant. Même voilé, il est possible de positionner un madrier. Il faut procéder de la manière suivante : • Présentez et enclenchez un des deux côtés du madrier. • Redressez l'autre côté à l'aide d'un serre joint. • Emboitez le madrier en vous servant d'un maillet et de la cale en bois.

DE WICHTIG: Es ist wichtig, dass die Holzbretter, vor allem die unteren (wo der Druck des Wassers stärker ist), richtig eingepasst werden. Es kann sein, dass sich einige Holzbretter ablösen. Das ist völlig normal, da Holz ein lebendiges Material ist. Selbst abgelöst lässt sich das Holzbrett anbringen. Gehen Sie folgendermaßen vor: • Nehmen Sie eine Seite des Bretts und haken Sie sie ein. • Richten Sie die andere Seite mit Hilfe einer Schraubzwinde neu aus. • Passen Sie das Brett mit Hilfe eines Holzhammers und des Holzkeils ein.

IT IMPORTANTE: È importante che le tavole siano incastrate correttamente, soprattutto quelle in basso (dove la pressione dell'acqua sarà maggiore). È possibile che alcune tavole si allentino. Ciò è assolutamente normale perché il legno è un materiale vivo. Sebbene allentata, è possibile posizionare la tavola. Seguire questi passaggi: • Appoggiare e collegare uno dei due lati della tavola. • Ridirigere l'altro lato con l'aiuto di un morsetto a vite. • Incastrare la tavola aiutandosi con una mazza e il cuneo di legno.

NL BELANGRIJK: Het is belangrijk dat de planken correct en stevig op elkaar aansluiten, vooral de onderste (waar de waterdruk het sterkst zal zijn). Het is mogelijk dat enkele planken zijn kromgetrokken. Dit is volstrekt normaal omdat hout een levend materiaal is. Zelfs krom, is het mogelijk de plank te plaatsen. Volg deze stappen: • Neem een van de twee kanten van de plank en plaats tand en groef op elkaar. • Duw de andere kant terug naar zijn plaats met behulp van een lijmkleem. • Bevestig de plank op zijn plek met behulp van een rubberhamer en houten wig.

PT IMPORTANTE: É importante que as tábuas estejam corretamente encaixadas, sobretudo as de abaixo (onde a pressão da água será mais forte). É possível que algumas tábuas se soltem. Isto é completamente normal porque a madeira é um material vivo. Mesmo solta, é possível colocar a tábua. Siga estes passos: • Situe e engate um dos dois lados da tábua. • Redirija o outro lado com a ajuda de um aperta-juntas. • Encaixe a tábua ajudando-se com um maço e o calço de madeira.



Loose board • Tabla suelta • Madrier voilé • Loses Brett • Tavola libera
• Losse plank • Tábua solta



Redirected board • Tabla redirigida
• Madrier redressé • neu ausgerichtetes Brett • Tavola riposizionata
• Rechtgebogen plank • Tábua redirigida

3rd LAYER OF BOARDS: The position of the refilling fitting with the key and the skimmer should be defined at the start of the assembly (read the specific paragraphs).

3ª FILA TABLAS: Debe determinar la ubicación de la boquilla de salida y del skimmer desde el principio del montaje (lea los párrafos específicos).

3ÈME RANGÉE MADRIERS : Vous devez avoir déterminé l'emplacement de la buse de refoulement et du skimmer dès le début du montage (voir paragraphes spécifiques).

3. BRETTERRIHE: Zu Beginn der Montage müssen Sie die Lage des Druckventils und des Skimmers festlegen (lesen Sie hierzu die entsprechenden Abschnitte).

3ª FILA DI TAVOLE: La posizione dell'ugello di mandata e dello skimmer deve essere determinata all'inizio del montaggio (leggere i paragrafi dedicati).

3ª RIJ PLANKEN: U moet al bij aanvang van de montage bepalen op welke plaats het uitstroombondstuk en de skimmer moet komen (less de betreffende paragrafen).

3.ª FILA DE TÁBUAS: Deve determinar a localização da boquilha de impulsão e do skimmer desde o começo da montagem (leia os parágrafos específicos).

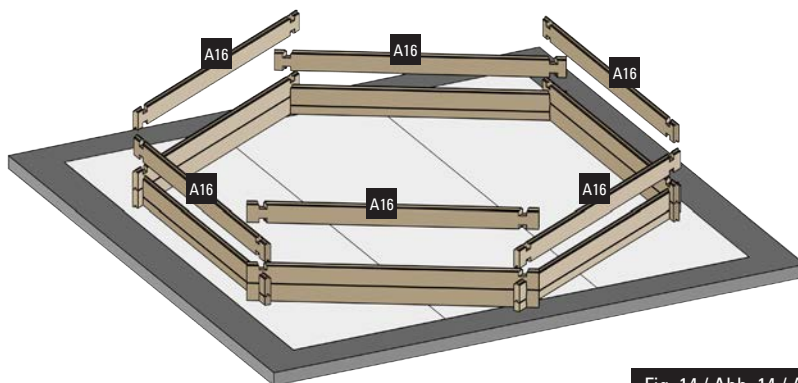


Fig. 14 / Abb. 14 / Afb. 14

SPECIFIC BOARDS: Refilling fitting with key: place the specific board for the refilling with key (E7) situating the larger diameter on the external side of the pool.
TABLAS ESPECÍFICAS: Boquilla de impulsión: coloque la tabla específica para la boquilla de salida (E7) situando el refrentado en el lado externo de la piscina.
MADRIERS SPÉCIFIQUES : Buse de refoulement: placez le madrier spécifique de la buse de refoulement (E7) en plaçant les lamages côté extérieur de la piscine.
SPEZIFISCHE BRETTER: Druckventil: bringen Sie das für das Druckventil gedachte Brett (E7) an, indem Sie die Senkung an der externen Seite des Pools platzieren.
TAVOLE SPECIFICHE: Ugello di mandata: posizionare la tavola specifica per l'ugello di mandata (E7) con il lato esterno nel lato esterno della piscina.
SPECIFIEKE PLANKEN: Uitstroommondstuk: plaats de plank die speciaal het uitstroommondstuk is (E7) waarbij het gefreesde gat aan de buitenzijde van het zwembad wordt geplaatst.
TAVOLE SPECIFICHE: Boquilha de impulsão: coloque a tábua específica para a boquilha de impulsão (E7) situando o desempenamento no lado externo da piscina.

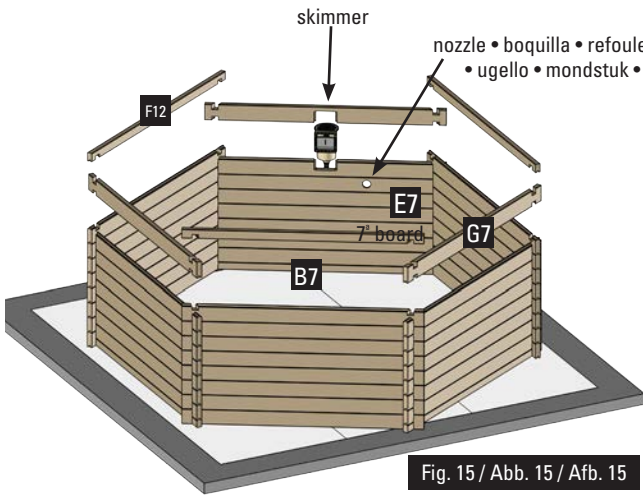
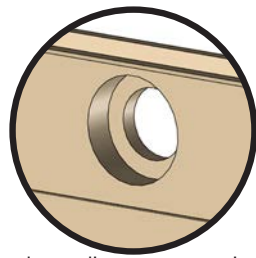


Fig. 15 / Abb. 15 / Afb. 15



larger diameter on exterior
 refrentado lado exterior
 lamage côté extérieur
 Senkung äußere Seite
 lato esterno
 gefreesde gat buitenzijde
 desempenamento lado exterior

- EN Skimmer:** • Place the specific boards of the skimmer facing the prevailing winds. Boards (C7) and (D7) will always be placed over a panel starting by board (B7) (figure 15). • The skimmer will not be stable until the pool is filled. **The skimmer (with its flap) is fitted as the same time as the finishing board.**
- ES Skimmer:** • Coloque las tablas específicas para el skimmer de cara a los vientos dominantes. Las tablas (C7) y (D7) se colocan siempre sobre un papel empezando por la tabla (B7) (figura 15). • Mientras no se llene la piscina, el skimmer no está estable. **El skimmer (junto con su trampilla) se encaja al mismo tiempo que la tabla de acabado.**
- FR Skimmer:** • Placez les madriers spécifiques au skimmer face aux vents dominants. Les madriers (C7) et (D7) se positionnent toujours sur un pan commençant par un madrier (B7) (figure 15). • Tant que le bassin n'est pas rempli, le skimmer ne sera pas stable. **Le skimmer (avec son volet) s'emboîte en même temps que le madrier de finition.**
- DE Skimmer:** • Platzieren Sie die für den Skimmer vorgesehenen Bretter den vorherrschenden Winden zugewandt. Die Bretter (C7) und (D7) werden immer auf eine Verkleidung gesetzt, wobei Sie mit Brett (B7) beginnen (Abb 15). • Solange der Pool nicht gefüllt wird, ist der Skimmer nicht stabil. **Der Skimmer (und seine Klappe) wird zur gleichen Zeit wie das abschließende Brett eingepasst.**
- IT Skimmer:** • Posizionare le tavole specifiche per lo skimmer controvento rispetto ai venti dominanti. Le tavole (C7) e (D7) si posizionano sempre sopra un pannello iniziando con la tavola (B7) (figura 15). • Fino a che la piscina non sarà piena, lo skimmer non sarà stabile. **Lo skimmer (insieme al suo sportello) deve essere incastrato nello stesso momento della tavola di rifinitura.**
- NL Skimmer:** • Plaats de planken die specifiek voor de skimmer zijn met het gezicht op de overheersende windrichting. De planken (C7) en (D7) worden altijd op een paneel geplaatst en er wordt begonnen met plank (B7) (afbeelding 15). • Zolang het zwembad niet is gevuld, zal de skimmer niet stabiel zijn. **De skimmer (samen met zijn afsluiter) wordt op het zelfde moment ertussen gezet als de plank voor de afwerking.**
- PT Skimmer:** • Coloque as tábuas específicas para o skimmer voltado para os ventos dominantes. As tábuas (C7) e (D7) são colocadas sempre sobre um painel a começar pela tábua (B7) (figura 15). • Enquanto a piscina não seja enchida, o skimmer não será estável. **O skimmer (juntamente com a sua válvula) encaixa-se ao mesmo tempo que a tábua de acabamento.**

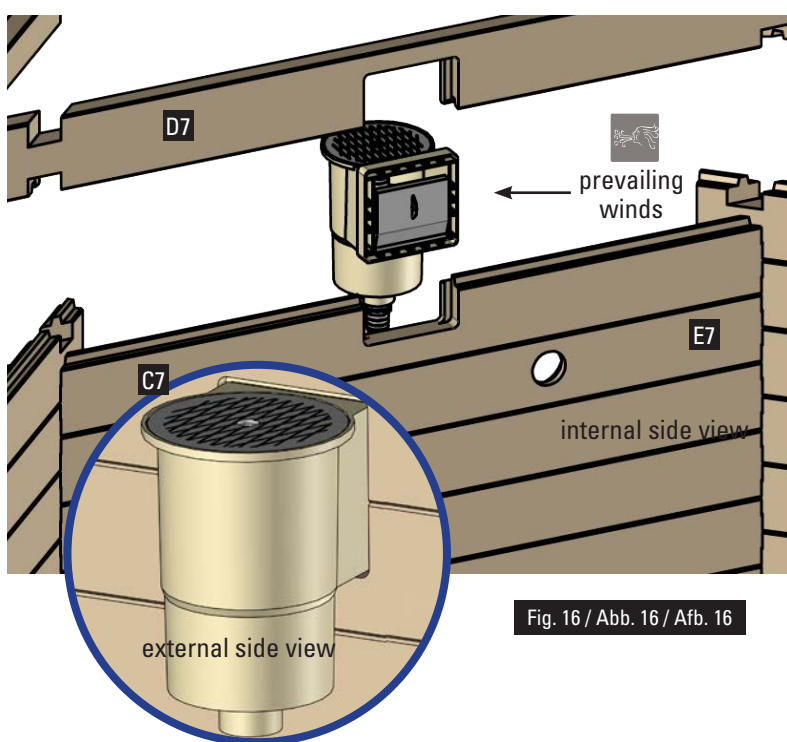
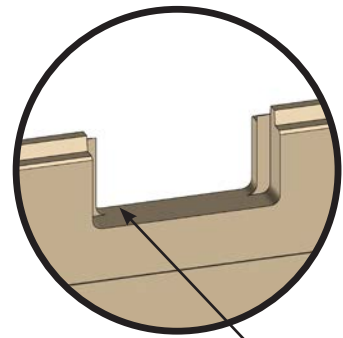


Fig. 16 / Abb. 16 / Afb. 16



internal side cut-outs

Ref. 783333 (E)

EN

ASSEMBLY OF THE STRUCTURE

ES

MONTAJE DE LA ESTRUCTURA

FR

ASSEMBLAGE DE LA STRUCTURE

DE

ZUSAMMENBAU DES TRAGWERKS

IT

MONTAGGIO DELLA STRUTTURA

NL

MONTAGE VAN DE CONSTRUCTIE

PT

MONTAGEM DA ESTRUTURA

ABOVE GROUND INSTALLATION • COLOCACIÓN EN EL SUELO
 • ENCOMBREMMENT AU SOL • POSITIONIERUNG AUF DEM
 BODEN • POSIZIONAMENTO NEL TERRENO • CONSTRUCTIE OP
 GRON • COLOÇÃO NO SOLO

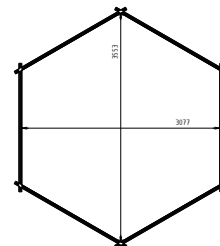


Fig. 9 / Abb. 9 / Afb. 9

Prepare the boards «as trial» • Coloque las tablas «de prueba» • Disposez les madriers «à blanc» • Platzieren Sie die „Test“-Bretter • Posizionare le tavole «di prova»
 • Plaats de planken in «proefopstelling» • Coloque as tábuas «de prova»

EN LAYOUT OF THE BOARDS: Prepare the boards «as trial», forming the silhouette of the pool.

ES DISPOSICIÓN DE LAS TABLAS: Prepare las tablas «de prueba» formando la silueta del vaso.

FR DISPOSITION DES MADRIERS : Préparez vos madriers «à blanc» en formant la silhouette du bassin.

DE ANORDNUNG DER HOLZBRETTER: Bereiten Sie die „Test“-Bretter vor, indem Sie den Umriss des Beckens bilden.

IT DISPOSIZIONE DELLA TAVOLE: Preparare le tavole «di prova» dando la forma della vasca.

NL PLAATSING VAN DE PLANKEN: Plaats de planken in «proefopstelling» zodat ze de omtrek van het bassin aangeven.

PT DISPOSIÇÃO DAS TÁBUAS: Prepare as tábuas «de prova» formando a silhueta do tanque.

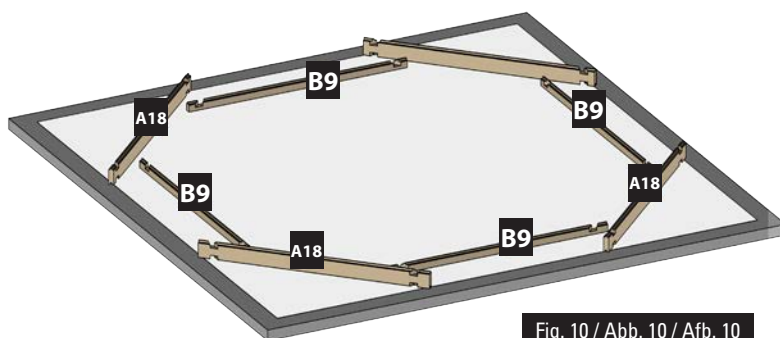


Fig. 10 / Abb. 10 / Afb. 10

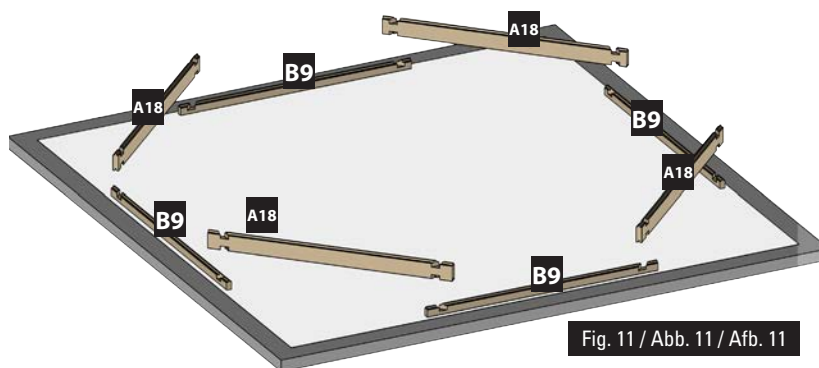


Fig. 11 / Abb. 11 / Afb. 11

EN INSTALLATION OF THE FIRST LAYER OF BOARDS: • Build the first crossing one (B9) board with an (A18) board. • Adjust the shape of the pool using the inside dimensions indicated in the installation diagram (See page 20). • The drawing shows the inside dimensions of the pool for the different opposing diagonals.

ES COLOCACIÓN DE LA PRIMERA FILA DE TABLAS: • Construya la primera cruzando una tabla (B9) y una tabla (A18). • Ajuste la forma de la piscina utilizando las dimensiones interiores en el plano de instalación (Ver página 20). • El plano presenta las dimensiones interiores de la piscina para las distintas diagonales opuestas.

FR POSITIONNEMENT DE LA 1ÈRE RANGÉE DE MADRIERS : • Constituez la première rangée, en croisant un madrier (B9) et un madrier (A18). • Ajustez la forme de la piscine en vous aidant des dimensions intérieures indiquées sur le plan d'implantation (Voir page 20). • Le plan donne les dimensions intérieures du bassin pour les différentes diagonales opposées.

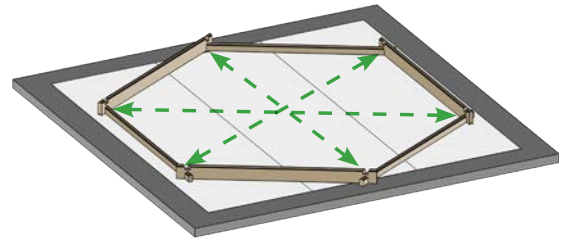
DE POSITIONIERUNG DER ERSTEN REIHE VON BRETTERN: • Errichten Sie erste Reihe, indem Sie ein (B9) und (A18) Brett kreuzen. • Passen Sie die Form des Pools an, indem Sie die angezeigten Innenmaße verwenden, die in der Einbauzeichnung (Siehe Seite 20) aufgeführt sind. • Die Zeichnung zeigt die Innenmaße des Pools für die verschiedenen gegenüberliegenden Diagonalen.

IT POSIZIONAMENTO DELLA PRIMA FILA DI TAVOLE: • Costruire la prima incrociando una tavola (B9) e una tavola (A18). • Regolare la forma della piscina utilizzando le dimensioni interne indicate nel disegno di installazione (Vedere a pagina 20). • Il disegno mostra le dimensioni interne della piscina per le diverse diagonali opposte.

NL PLAATSING VAN DE EERSTE RIJ PLANKEN: • Construeer de eerste rij door en plank (B9) te kruisen met een plank (A18). • Plan de vorm van het zwembad aan waarbij u gebruik maakt van de interne afmetingen die zijn aangegeven op het montageplan (Zie pagina 20). • Het plan geeft interne afmetingen van het zwembad aan voor de verschillende tegenover elkaar liggende diagonale lijnen.

PT POSIZIONAMENTO DELLA PRIMA FILA DI TAVOLE: • Construa a primeira fila cruzando uma tábuas (B9) e uma tábuas (A18). • Ajuste a forma da piscina utilizando as dimensões interiores indicadas no plano de instalação (Ver página 20). • O plano apresenta as dimensões interiores da piscina para as distintas diagonais opostas.

- EN** After having installed the first layer, you should check the inside dimensions of the pool. For a perfect assembly, the diagonals should be equal, and in conformity with the assembly drawing at the end of this manual. **Take special care when installing this first layer of boards. The precision of this assembly decides the final quality of your pool.**
- ES** Tras colocar la primera fila, es imprescindible efectuar un control de las dimensiones interiores de la piscina. Para un montaje perfecto, las diagonales deben ser iguales y conformes al plano de montaje del final de este manual. **Procure poner el mayor de los cuidados en la colocación de esta primera fila de tablas. La precisión de este montaje determina la calidad de realización de su piscina.**
- FR** Après avoir positionné la première rangée, il est impératif d'effectuer un contrôle des dimensions intérieures du bassin. Pour un montage parfait, les diagonales doivent être égales et conformes au plan de montage en fin de notice. **Veillez apporter le plus grand soin au positionnement de cette première rangée de madriers. La précision de ce montage détermine la qualité de réalisation de votre piscine!**
- DE** Nachdem Sie die erste Reihe errichtet haben, müssen Sie unbedingt die Innenmaße des Pools kontrollieren. Für eine perfekte Montage müssen die Diagonalen gleich sein und mit dem Einbauplan am Ende dieses Handbuchs übereinstimmen. **Versuchen Sie, diese erste Reihe von Brettern mit größter Sorgfalt zu verlegen. Die Genauigkeit beim Zusammenbau bestimmt die Qualität der Ausführung Ihres Pools.**
- IT** Dopo aver posizionato la prima fila, le dimensioni interne della piscina devono essere verificate. Per un montaggio perfetto, le diagonali devono essere uguali e conformi al piano di montaggio alla fine del presente manuale. **Posizionare questa prima fila di tavole con la maggior attenzione possibile. La precisione di questa parte del montaggio è determinante nella realizzazione della piscina.**
- NL** Nadat de eerste rij is geplaatst, is het van het grootste belang om de interne afmetingen van het zwembad te controleren. Voor een perfecte montage, moeten de diagonalen gelijk zijn en in overeenstemming met het montageplan aan het einde van deze handleiding. **Betracht de grootst mogelijke zorg bij het plaatsen van deze eerste rij planken. De precisie bij deze montage bepaalt de kwaliteit van uitvoering van uw zwembad.**
- PT** Depois de ter colocado a primeira fila, é imprescindível efetuar um controlo das dimensões interiores da piscina. Para uma montagem perfeita, as diagonais devem ser iguais e conformes ao plano de montagem do final deste manual. **Tente pôr o maior cuidado na colocação desta primeira fila de tábuas. A precisão desta montagem determina a qualidade de realização da piscina.**



Using a mallet, hit the wooden wedge so it fits deeply into the boards • Con ayuda de un mazo, golpee la cuña de madera para encajar en profundidad las tablas • A l'aide d'un maillet, frappez sur le cale en bois pour emboîter à fond les madriers • Schlagen Sie mit Hilfe eines Holzhammers auf den Holzkeil, um die Bretter voll und ganz einzupassen • Con l'aiuto di una mazza, colpire il cuneo di legno per incastrare le tavole in profondità • Sla de houten wig met behulp van een rubberhamer op zijn plek om de planken zo stevig mogelijk in elkaar te laten passen • Com a ajuda de um maço, bata no calço de madeira para encaixar as tábuas em profundidade

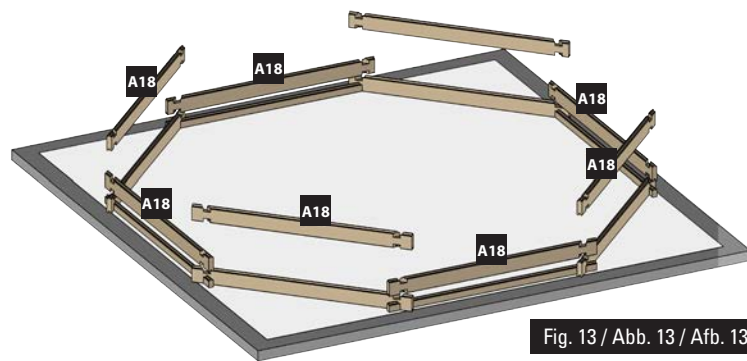


Fig. 13 / Abb. 13 / Afb. 13



Layout of the boards • Disposición de las tablas • Positionnement des madriers • Anordnung der Holzbretter • Disposizione delle tavole • Plaatsing van de planken • Disposição das tábuas

- EN 2nd LAYER OF BOARDS:** • Assemble the second layer with the help of the (A18) boards. • There is a wooden wedge in the structure packet to correctly assemble the boards. • Never directly hit against the boards. You would damage the pegs and would weaken the structure. Do not hit them with anything metallic. This would inevitably damage the wood. • Try to correctly assemble the boards right from the start. There should not be any space between each layer of boards to avoid maladjustment of the higher boards.
- ES 2ª FILA DE TABLAS:** • Monte la segunda fila con la ayuda de las tablas (A18). • Para ensamblar correctamente las tablas dispone de una cuña de madera en el paquete de estructura. No golpee las tablas directamente. Estropearía las espigas y perjudicaría la solidez de la estructura. No golpee con una pieza metálica. Deterioraría la madera irremediablemente. • Procure ensamblar profundamente las tablas desde el principio. No debe haber espacio entre cada fila para evitar un desajuste en las maderas superiores.
- FR 2ÈME RANGÉE DE MADRIERS :** • Montez la seconde rangée à l'aide des madriers (A18). • De manière à emboîter correctement les madriers, une cale en bois est à votre disposition dans le colis de structure. • Ne pas taper directement sur les madriers. Cela abîmerait les languettes et nuirait à la solidité de la structure. • Ne pas frapper avec une pièce métallique. Cela détériorerait le madrier irrémédiablement. • Veillez à emboîter bien à fond les madriers dès le départ. Il ne doit pas y avoir d'espace entre chaque rangée pour éviter un décalage au niveau des madriers supérieurs.
- DE 2. BRETTERREIHE:** • Bringen Sie die zweite Reihe mit Hilfe der (A18)-Bretter an. • Um die Bretter richtig anbringen zu können, finden Sie einen Holzkeil im Paket des Tragwerks. • Nicht direkt auf die Bretter klopfen. Das würde die Zapfen und die Festigkeit des Tragwerks beschädigen. • Nicht mit einem Metallteil darauf klopfen. Es würde das Holz unabänderlich beschädigen. • Versuchen Sie, die Bretter von Anfang an tiefgehend ineinander zu fügen. Zwischen den Reihen darf kein Platz sein, um eine Fehlanpassung der oberen Bretter zu vermeiden.
- IT 2ª FILA DI TAVOLE:** • Montare la seconda fila con l'aiuto delle tavole (A18). • Per assemblare correttamente le tavole nell'imballaggio della struttura è incluso un cuneo di legno. • Non colpire direttamente le tavole. Il tenone si rovinerebbe e la solidità della struttura sarebbe pregiudicata • Non colpire con un oggetto metallico. Il legno si deteriorerebbe irrimediabilmente. • Assemblare correttamente le tavole dall'inizio. Non vi deve essere spazio tra una fila e l'altra per evitare una sconnessione nelle parti superiori.
- NL 2ª RIJ PLANKEN:** • Monteer de tweede rij met behulp van de planken (A18). Om de planken correct te assembleren, zit er een houten wig in het pakket van het frame. • Sla niet direct op de planken. Daardoor gaan het profiel kapot en wordt de stevigheid van het frame ondermijnd. • Sla er niet direct op met metaal. Hierdoor raakt het hout onherstelbaar beschadigd. • Zorg ervoor dat de planken vanaf het begin stevig op elkaar aansluiten. Er mag geen ruimte tussen de rijen overblijven, om te voorkomen dat de bovenste houtdelen onregelmatig uitkomen.
- PT 2.ª FILA DE TÁBUAS:** • Monte a segunda fila com a ajuda das tábuas (A18). • Para ensamblar corretamente as tábuas, conta com um calço de madeira na embalagem de estrutura. • Não bata nas tábuas diretamente. Estragaria as espigas e prejudicaria a solidez da estrutura. • Não bata nelas com uma peça metálica. Deterioraria a madeira irremediavelmente. • Tente ensamblar profundamente as tábuas desde o princípio. Não deve haver espaço entre cada fila para evitar um desajuste nas madeiras superiores.

- EN IMPORTANT:** It is very important that the boards are correctly installed, above all the bottom ones, (where the water pressure is greater). There is a possibility of some boards coming loose. This is completely normal because wood is a living material. Even loose, the board may be installed. Follow these steps: • Position and fit one of the two sides of the boards. • Redirect the other side using a joint closer. • Fit the board using a mallet and wooden wedge.
- ES IMPORTANTE:** Es importante que las tablas estén correctamente encajadas, sobre todo las de abajo (donde la presión del agua será más fuerte). Es posible que se suelten algunas tablas. Esto es completamente normal porque la madera es un material vivo. Incluso suelta, es posible colocar la tabla. Siga estos pasos: • Presente y enganche uno de los dos lados de la tabla. • Redirija el otro lado con ayuda de un cierra juntas. • Encaje la tabla ayudándose de un mazo y de la cuña de madera.
- FR IMPORTANT :** Il est important que les madriers soient emboîtés correctement, surtout ceux du bas (là où la pression de l'eau sera la plus forte). Il est possible que certains madriers soient voilés. Cela est tout à fait normal du fait que le bois est un matériaux vivant. Même voilé, il est possible de positionner un madrier. Il faut procéder de la manière suivante : • Présentez et enclenchez un des deux côtés du madrier. • Redressez l'autre côté à l'aide d'un serre joint. • Emboitez le madrier en vous servant d'un maillet et de la cale en bois.
- DE WICHTIG:** Es ist wichtig, dass die Holzbretter, vor allem die unteren (wo der Druck des Wassers stärker ist), richtig eingepasst werden. Es kann sein, dass sich einige Holzbretter ablösen. Das ist völlig normal, da Holz ein lebendiges Material ist. Selbst abgelöst lässt sich das Holzbrett anbringen. Gehen Sie folgendermaßen vor: • Nehmen Sie eine Seite des Bretts und haken Sie sie ein. • Richten Sie die andere Seite mit Hilfe einer Schraubzwinde neu aus. • Passen Sie das Brett mit Hilfe eines Holzhammers und des Holzkeils ein.
- IT IMPORTANTE:** È importante che le tavole siano incastrate correttamente, soprattutto quelle in basso (dove la pressione dell'acqua sarà maggiore). È possibile che alcune tavole si allentino. Ciò è assolutamente normale perché il legno è un materiale vivo. Sebbene allentata, è possibile posizionare la tavola. Seguire questi passaggi: • Appoggiare e collegare uno dei due lati della tavola. • Ridirigere l'altro lato con l'aiuto di un morsetto a vite. • Incastrare la tavola aiutandosi con una mazza e il cuneo di legno.
- NL BELANGRIJK:** Het is belangrijk dat de planken correct en stevig op elkaar aansluiten, vooral de onderste (waar de waterdruk het sterkst zal zijn). Het is mogelijk dat enkele planken zijn kromgetrokken. Dit is volstrekt normaal omdat hout een levend materiaal is. Zelfs krom, is het mogelijk de plank te plaatsen. Volg deze stappen: • Neem een van de twee kanten van de plank en plaats tand en groef op elkaar. • Duw de andere kant terug naar zijn plaats met behulp van een lijmkleem. • Bevestig de plank op zijn plek met behulp van een rubberhamer en houten wig.
- PT IMPORTANTE:** É importante que as tábuas estejam corretamente encaixadas, sobretudo as de abaixo (onde a pressão da água será mais forte). É possível que algumas tábuas se soltem. Isto é completamente normal porque a madeira é um material vivo. Mesmo solta, é possível colocar a tábuas. Siga estes passos: • Situe e engate um dos dois lados da tábuas. • Redirija o outro lado com a ajuda de um aperta-juntas. • Encaixe a tábuas ajudando-se com um maço e o calço de madeira.



Loose board • Tabla suelta • Madrier voilé • Loses Brett • Tavola libera
• Losse plank • Tábuas solta



Redirected board • Tabla redirigida
• Madrier redressé • neu ausgerichtetes Brett • Tavola riposizionata
• Rechtgebogen plank • Tábuas redirigida

3rd LAYER OF BOARDS: The position of the refilling fitting with the key and the skimmer should be defined at the start of the assembly (read the specific paragraphs).

3ª FILA TABLAS: Debe determinar la ubicación de la boquilla de salida y del skimmer desde el principio del montaje (lea los párrafos específicos).

3ÈME RANGÉE MADRIERS : Vous devez avoir déterminé l'emplacement de la buse de refoulement et du skimmer dès le début du montage (voir paragraphes spécifiques).

3. BRETTERREIHE: Zu Beginn der Montage müssen Sie die Lage des Druckventils und des Skimmers festlegen (lesen Sie hierzu die entsprechenden Abschnitte).

3ª FILA DI TAVOLE: La posizione dell'ugello di mandata e dello skimmer deve essere determinata all'inizio del montaggio (leggere i paragrafi dedicati).

3ª RIJ PLANKEN: U moet al bij aanvang van de montage bepalen op welke plaats het uitstroommondstuk en de skimmer moet komen (less de betreffende paragrafen).

3.ª FILA DE TÁBUAS: Deve determinar a localização da boquilha de impulsão e do skimmer desde o começo da montagem (lea os parágrafos específicos).

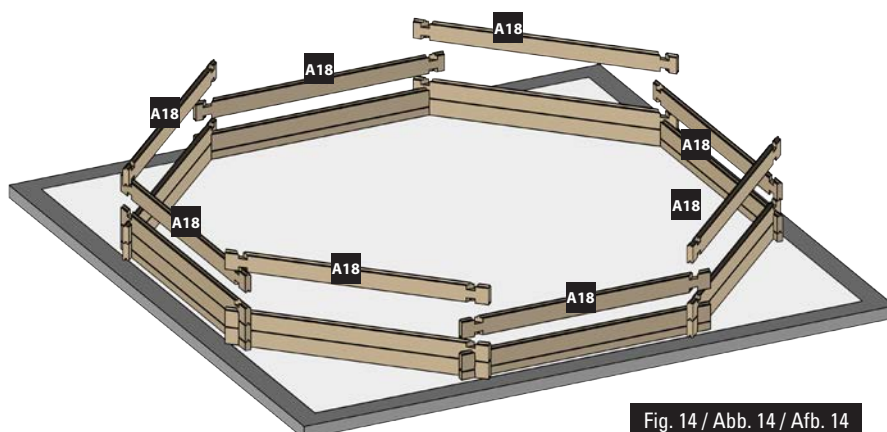


Fig. 14 / Abb. 14 / Afb. 14

SPECIFIC BOARDS: Refilling fitting with key: place the specific board for the refilling with key (E9) situating the larger diameter on the external side of the pool.
TABLAS ESPECÍFICAS: Boquilla de impulsión: coloque la tabla específica para la boquilla de salida (E9) situando el refrentado en el lado externo de la piscina.
MADRIERS SPÉCIFIQUES: Buse de refoulement: placez le madrier spécifique de la buse de refoulement (E9) en plaçant les lamages côté extérieur de la piscine.
SPEZIFISCHE BRETTER: Druckventil: bringen Sie das für das Druckventil gedachte Brett (E9) an, indem Sie die Senkung an der externen Seite des Pools platzieren.
TAVOLE SPECIFICHE: Ugello di mandata: posizionare la tavola specifica per l'ugello di mandata (E9) con il lato esterno nel lato esterno della piscina.
SPECIFIEKE PLANKEN: Uitstroommondstuk: plaats de plank die speciaal het uitstroommondstuk is (E9) waarbij het gefreesde gat aan de buitenzijde van het zwembad wordt geplaatst.
TAVOLE SPECIFICHE: Boquilha de impulsão: coloque a tábua específica para a boquilha de impulsão (E9) situando o desempenamento no lado externo da piscina.

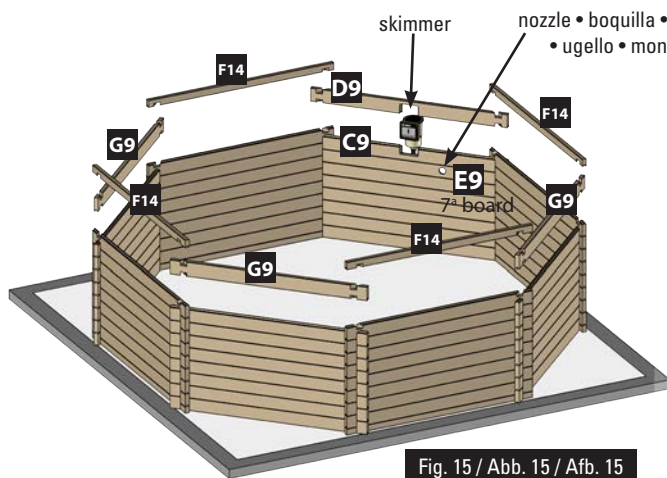
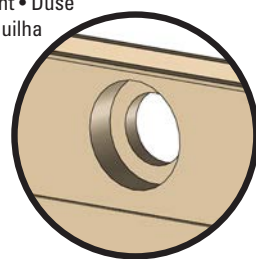


Fig. 15 / Abb. 15 / Afb. 15



larger diameter on exterior
 refrentado lado exterior
 lamage côté extérieur
 Senkung äußere Seite
 lato esterno
 gefreesde gat buitenzijde
 desempenamento lado exterior

- EN Skimmer:** • Place the specific boards of the skimmer facing the prevailing winds. Boards (C9) and (D9) will always be placed over a panel starting by board (A18) (figure 15). • The skimmer will not be stable until the pool is filled. *The skimmer (with its flap) is fitted as the same time as the finishing board.*
- ES Skimmer:** • Coloque las tablas específicas para el skimmer de cara a los vientos dominantes. Las tablas (C9) y (D9) se colocan siempre sobre un panel empezando por la tabla (A18) (figura 15). • Mientras no se llene la piscina, el skimmer no está estable. *El skimmer (junto con su trampilla) se encaja al mismo tiempo que la tabla de acabado.*
- FR Skimmer:** • Placez les madriers spécifiques au skimmer face aux vents dominants. Les madriers (C9) et (D9) se positionnent toujours sur un pan commençant par un madrier (A18) (figure 15). • Tant que le bassin n'est pas rempli, le skimmer ne sera pas stable. *Le skimmer (avec son volet) s'emboîte en même temps que le madrier de finition.*
- DE Skimmer:** • Platzieren Sie die für den Skimmer vorgesehenen Bretter den vorherrschenden Winden zugewandt. Die Bretter (C9) und (D9) werden immer auf eine Verkleidung gesetzt, wobei Sie mit Brett (A18) beginnen (Abb 15). • Solange der Pool nicht gefüllt wird, ist der Skimmer nicht stabil. *Der Skimmer (und seine Klappe) wird zur gleichen Zeit wie das abschließende Brett eingepasst.*
- IT Skimmer:** • Posizionare le tavole specifiche per lo skimmer controvento rispetto ai venti dominanti. Le tavole (C9) e (D9) si posizionano sempre sopra un pannello iniziando con la tavola (A18) (figura 15). • Fino a che la piscina non sarà piena, lo skimmer non sarà stabile. *Lo skimmer (insieme al suo sportello) deve essere incastrato nello stesso momento della tavola di rifinitura.*
- NL Skimmer:** • Plaats de planken die specifiek voor de skimmer zijn met het gezicht op de overheersende windrichting. De planken (C9) en (D9) worden altijd op een paneel geplaatst en er wordt begonnen met plank (A18) (afbeelding 15). • Zolang het zwembad niet is gevuld, zal de skimmer niet stabiel zijn. *De skimmer (samen met zijn afsluiter) wordt op het zelfde moment ertussen gezet als de plank voor de afwerking.*
- PT Skimmer:** • Coloque as tábuas específicas para o skimmer voltado para os ventos dominantes. As tábuas (C9) e (D9) são colocadas sempre sobre um painel a começar pela tábua (A18) (figura 15). • Enquanto a piscina não seja enchida, o skimmer não será estável. *O skimmer (juntamente com a sua válvula) encaixa-se ao mesmo tempo que a tábua de acabamento.*

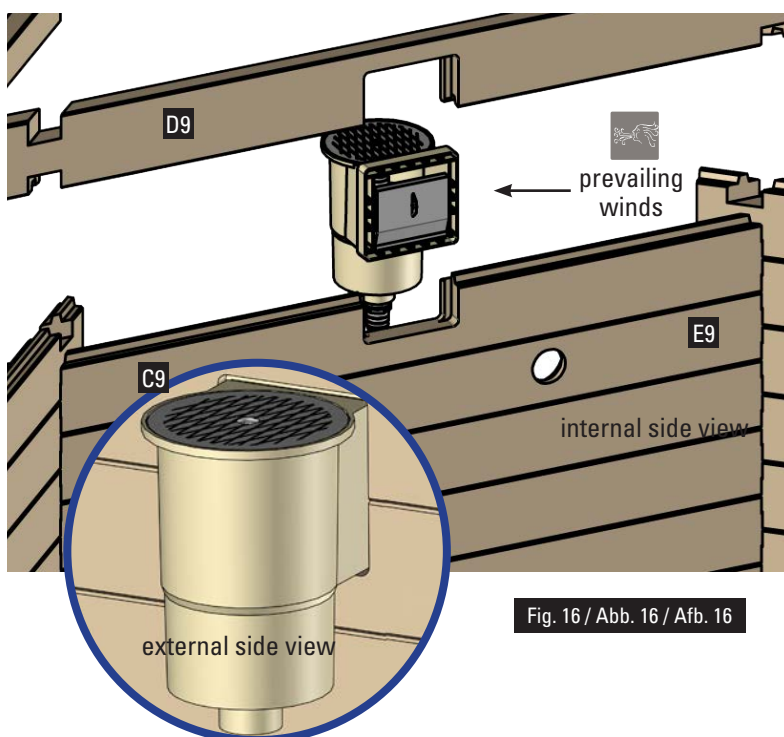
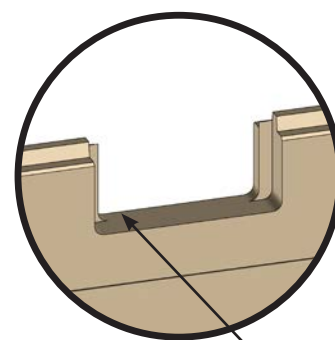


Fig. 16 / Abb. 16 / Afb. 16



internal side cut-outs

EN

WOODEN BLOCKS, REINFORCEMENTS AND TRIMMINGS

ES

TACOS, REFUERZOS Y EMBELLECEDORES

FR

CONSOLES, RENFORTS ET CACHES

DE

KONSOLEN, VERSTÄRKUNGEN UND ZIERLEISTEN

IT

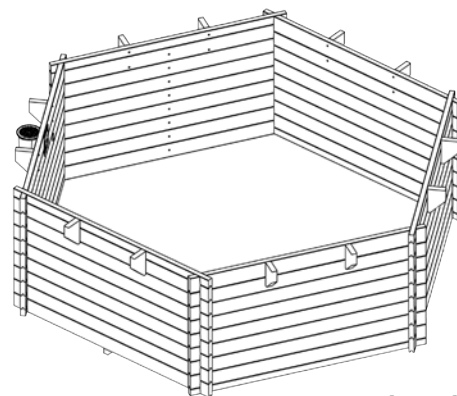
TASSELLI, RINFORTZI E COPERTURE

NL

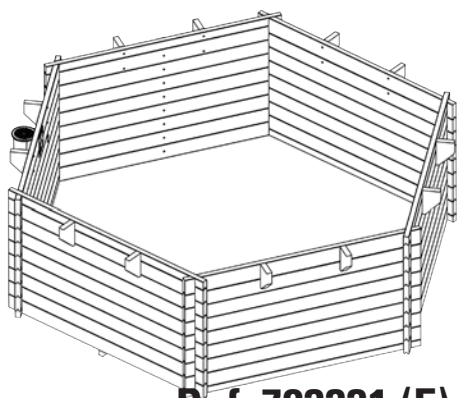
CONSOLE, VERSTEVIGINGEN EN SIERLIJSTEN

PT

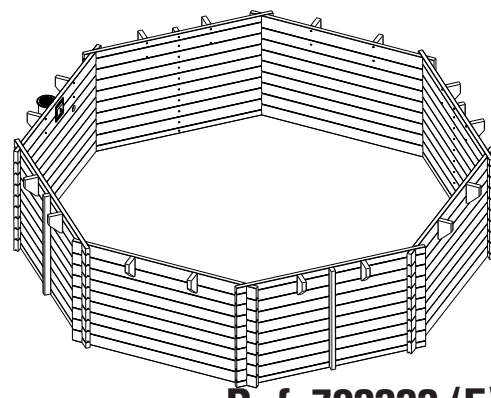
BLOCOS DE MADEIRA, REFORÇOS E EMBELEZADORES



Ref. 786226 (EG)



Ref. 783331 (E) (EG)



Ref. 783333 (E)

EN The position of the wooden blocks and of the reinforcements is indicated in the drawing (See page 20). The wooden stepladder can also be used for positioning the wooden blocks, see stepladder chapter.

WOODEN BLOCKS

- Align the upper part of the wooden blocks with the level of the last board. Maintain the wooden blocks in their place.
- Drill the boards with a \varnothing 6 mm bit for wood. Tighten the screws in 2 times, from inside the pool.
- First tighten the upper screws into the wooden blocks and the lower ones (in the 1st and 2nd boards). Systematically check that the upper part of the wooden block.
- Make sure that the head of the screw is level with the surface of the wood.

ES La posición de los tacos de madera y de los refuerzos está indicada en el plano (Ver página 20). También puede utilizar la escalera de madera para colocar los tacos de madera, vea el capítulo de la escalera.

TACOS DE MADERA

- Alinee la parte superior de los tacos de madera al nivel de la última tabla. Mantenga los tacos de madera en su lugar.
- Perfore las tablas con una broca para madera des \varnothing 6 mm. Atornille en 2 tiempos, situándose en el interior de la piscina.
- Fije primero los tacos de madera superiores y luego los inferiores (en la 1^a y en la 2^a tabla). Compruebe sistemáticamente que la parte superior del taco está bien alineada con la de la tabla.
- Procure que la cabeza del tornillo esté nivelada con la madera.

FR Le positionnement des consoles et des renforts est indiqué sur le plan (Voir page 20). Vous pouvez aussi utiliser l'échelle bois pour positionner les consoles, voir le chapitre de l'échelle bois.

CONSOLES

- Alignez le sommet des consoles au niveau du sommet du dernier madrier. Maintenez les consoles en place.
- Percez les madriers avec un foret à bois \varnothing 6 mm. Vissez en 2 temps en vous plaçant à l'intérieur de la piscine
- Fixez d'abord chaque console en haut, puis en bas (dans le 1^{er} et le 2^{ème} madrier) Vérifiez systématiquement que le sommet de la console s'aligne bien avec le haut du madrier.
- Veillez à ce que la tête de vis vienne en affleurement du bois.

DE Die Position der Konsolen und Verstärkungen wird auf der Zeichnung (Siehe Seite 20) geschildert. Sie können auch die Holzterappe benutzen, um die Konsolen zu setzen, siehe Kapitel Treppe.

KONSOLEN

- Richten Sie den oberen Teil der Konsolen an der Ebene des letzten Bretts aus. Halten Sie die Konsolen an ihrem Platz.
- Durchbohren Sie die Bretter mit einem Holzbohrer \varnothing 6 mm. Schrauben Sie 2mal, indem Sie sich in den Pool stellen.
- Befestigen Sie die Konsolen zuerst oben und dann unten (am 1. und am 2. Brett). Prüfen Sie systematisch, ob das obere Teil der Konsole an dem des Bretts ausgerichtet ist.
- Stellen Sie sicher, dass der Kopf der Schraube mit dem Holz bündig ist.

IT La posizione dei tasselli e dei rinforzi è indicata nel disegno (Vedere a pagina 20). Per posizionare i tasselli si può utilizzare una scala di legno, vedi il capitolo sulla scala.

TASSELLI

- Allineare la parte superiore dei tasselli al livello dell'ultima tavola. Mantenere i tasselli al loro posto
- Perforare le tavole con una punta per il legno di Ø 6 mm. Avvitare in 2 tempi, mettendosi all'interno della piscina.
- Fissare prima i tasselli superiori e dopo quelli inferiori (nella 1^a e nella 2^a tavola). Accertarsi che la parte superiore del tassello sia ben allineata con quella della tavola.
- Accertarsi che la testa della vite sia allo stesso livello del legno.

NL De stand van de consoles en van de verstevingen zijn aangegeven op het montageplan (Zie pagina 20). Ook kunt u de houten trap gebruiken om de consoles te plaatsen, zie het hoofdstuk over de trap.

CONSOLES

- Breng het bovenste deel van de consoles op lijn met de laatste plank. Houd de consoles op hun plek.
- Boor gaten in de planken met een houtboor van Ø 6 mm. In 2 keer vastschroeven vanaf de binnenkant van het zwembad.
- Bevestig eerst de bovenste consoles en daarna de onderste (aan de 1e en de 2e plank). Controleer systematisch of het bovenste deel van de console goed is uitgelijnd met de hoogte van de plank.
- Zorg ervoor dat de schroefkop verzonken is in het hout.

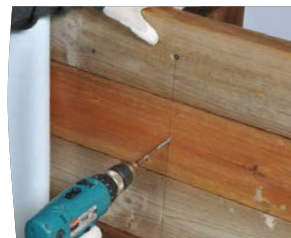
PT A posição dos blocos de madeira e dos reforços está indicada no plano (Ver página 20). Pode utilizar também a escada de madeira para colocar os blocos, veja o capítulo da escada.

BLOCOS DE MADEIRA

- Alinhe a parte superior dos blocos ao nível da última tábuca. Mantenha os blocos no seu lugar.
- Fure as tábuas com uma broca para madeira de Ø 6 mm. Aparafuse em 2 tempos, situando-se no interior da piscina.
- Fixe primeiro os blocos superiores e depois os inferiores (na 1.^a e na 2.^a tábuca). Verifique sistematicamente que a parte superior do bloco está bem alinhada com a da tábuca.
- Tente que a cabeça do parafuso esteja nivelada com a madeira.



Align the wooden block with the upper part of the board
Alinee el taco de madera con la parte superior de la tabla
Alignez la console au sommet du madrier
Richten Sie die Konsole nach dem oberen Teil des Bretts aus
Allineare il tassello con la parte superiore della tavola
Breng de console op lijn met het bovenste deel van de plank
Alinhe o bloco com a parte superior da tábuca



Fix the wooden blocks with the 6 x 90 screws (1 screw per board)
Fije los tacos de madera con los tornillos 6x90 (1 tornillo por tabla)
Fixez les consoles avec les vis de 6 x 90 (1 vis par madrier)
Befestigen Sie die Konsolen mit Schrauben 6 x 90 (1 Schraube pro Brett)
Fissare i tasselli con viti 6x90 (1 vite per tavola)
Bevestig de consoles met de schroeven 6 x 90 (1 schroef per plank)
Fixe os blocos com os parafusos 6 x 90 (1 parafuso por tábuca)



- EN** Align the wooden blocks and the reinforcements with the upper part of the top board.
- ES** Alinee los tacos de madera y los refuerzos de arriba de la tabla superior.
- FR** Aligner le haut des consoles et des renforts au sommet du madrier supérieur.
- DE** Richten Sie die Konsolen und Verstärkungen auf den oberen Teil des oberen Bretts aus.
- IT** Allineare i tasselli e i rinforzi nella parte superiore della tavola superiore.
- NL** Lijn de consoles uit met de verstevingen en de bovenkant van de bovenste plank.
- PT** Alinhe os blocos e os reforços na parte de arriba da tábuca superior.



- EN** Previously drill the boards with a Ø 6 mm bit for wood to facilitate the screwing.
- ES** Para facilitar el atornillado, realice una perforación previa en las tablas con una broca para madera de ø 6 mm.
- FR** Afin de faciliter le vissage, effectuez un pré-perçage des madriers avec un foret à bois ø 6 mm.
- DE** Um das Verschrauben zu erleichtern, machen Sie in den Brettern vorab eine Bohrung mit einem Holzbohrer mit 6 mm Ø.
- IT** Per semplificare l'avvitamento, perforare prima le tavole con una punta per il legno di Ø 6 mm.
- NL** Om het schroeven te vergemakkelijken, kunt u vooraf met een houtboor van Ø 6 mm gaten boren in de planken.
- PT** Para facilitar o aparafusamento, realize uma perfuração prévia nas tábuas com uma broca para madeira de Ø 6 mm.

EN REINFORCEMENTS: THE REFERENCE 786226 (E) DOES NOT INCLUDE REINFORCEMENTS

• Align the upper part of the reinforcements with the level of the last board. Maintain the reinforcements in their place. • Drill the boards with a Ø 6 mm bit for wood. Tighten the screws in 2 times, from inside the pool. • First tighten the upper screws into the reinforcements and then the lower ones (in the 1st and last boards). • Check the verticality of the reinforcements. • Finish assembling the reinforcements using 1 screw per board and correct possible deformations of the wood (boards). Systematically check that the upper part of the reinforcement is well aligned with that of the board and that the head of the screw is level with the surface of the wood.

ES REFUERZOS: LA REFERENCIA 786226 (E) NO INCLUYE REFUERZOS

• Alinee la parte superior del refuerzo al nivel de la última tabla. Mantenga los refuerzos en su lugar. • Perfore las tablas con una broca para madera de Ø 6 mm. Atornille en 2 tiempos, situándose en el interior de la piscina. • Fije primero los refuerzos superiores y luego los inferiores (en la 1ª y en la última tabla). • Compruebe la verticalidad de los refuerzos. • Termine el ensamblado de los refuerzos colocando 1 tornillo por tabla y corrija las posibles deformaciones de la madera (tablas). Compruebe sistemáticamente que la parte superior del refuerzo está bien alineada con la de la tabla y que la cabeza del tornillo está nivelada con la madera.

FR RENFORTS : LA RÉFÉRENCE 786226 (E) N'INCLUT PAS RENFORTS

• Alignez le sommet des renforts au niveau du sommet du dernier madrier. Maintenez les renforts en place. • Percez les madriers avec le foret à bois Ø 6 mm. Vissez en 2 temps en vous plaçant à l'intérieur de la piscine • Fixez d'abord chaque renfort en haut, puis en bas (dans le 1er et le dernier madrier). • Contrôlez l'aplomb des renforts. • Terminez l'assemblage des renforts en mettant 1 vis par madrier et corrigez les éventuels gauchissements du bois (madriers). Vérifiez systématiquement que le sommet du renfort s'aligne bien avec le haut du madrier et que la tête de vis vienne en affleurement du bois.

DE VERSTÄRKUNGEN: DIE REFERENZNUMMER 786226 (E) UMFASSTE KEINE VERSTÄRKUNGEN

• Richten Sie den oberen Teil der Verstärkung an der Ebene des letzten Bretts aus. Halten Sie die Verstärkungen an ihrem Platz. • Durchbohren Sie die Bretter mit einem Holzbohrer Ø 6 mm. Schrauben Sie 2mal, indem Sie sich in den Pool stellen. • Befestigen Sie die oberen Verstärkungen und danach die unteren (am 1. und letzten Brett). • Prüfen Sie die vertikale Ausrichtung der Verstärkungen. • Zum Abschluss des Zusammenbaus der Verstärkungen bringen Sie 1 Schraube pro Brett an und beheben Sie etwaige Verformungen des Holzes (Bretter). Prüfen Sie systematisch, ob der obere Teil der Verstärkung gut auf das Brett ausgerichtet ist und der Kopf der Schraube mit dem Holz bündig ist.

IT RINFORZI: IL REFERIMENTO 786226 (E) NON INCLUDE RINFORZI

• Allineare le parti superiori dei rinforzi al livello dell'ultima tavola. Mantenere i rinforzi al loro posto. • Perforare le tavole con una punta per il legno di Ø 6 mm. Avvitare in 2 tempi, mettendosi all'interno della piscina. • Fissare prima i rinforzi superiori e poi quelli inferiori (nella 1ª e nell'ultima tavola). • Accertarsi della verticalità dei rinforzi. • Completare l'assemblaggio dei rinforzi mettendo una vite per tavola e correggere le eventuali deformazioni del legno (tavole) Accertarsi che la parte superiore del rinforzo sia ben allineata con quella della tavola e che la testa della vite sia allo stesso livello del legno.

NL VERSTEVIGINGEN: REFERENTIE 786226 (E) BEVAT NIET VERSTEVIGINGEN

• Breng het bovenste deel van de versteviging op lijn met de laatste plank. Houd de verstevigingen op hun plek. • Boor gaten in de planken met een houtboor van Ø 6 mm. In 2 keer vastschroeven vanaf de binnenkant van het zwembad. • Zet eerst de bovenste verstevigingen vast en daarna de onderste (aan de 1e en de laatste plank). • Controleer of de verstevigingen loodrecht zijn. • Besluit het assembleren van de verstevigingen door 1 schroef per plank te plaatsen en corrigeer eventuele vervormingen van het hout (planken). Controleer systematisch of het bovenste deel van de versteviging goed uitgelijnd is met de bovenkant van de plank en dat de schroefkop verzonken is in het hout.

PT REFORÇOS: A REF. 786266 (E) NÃO CONTÉM AS PEÇAS REFORÇOS

• Alinhe a parte superior do reforço ao nível da última tábu. Mantenha os reforços no seu lugar. • Fure as tábuas com uma broca para madeira de Ø 6 mm. Aparafuse em 2 tempos, situando-se no interior da piscina. • Fixe primeiro os reforços superiores e depois os inferiores (na 1.ª e na última tábu). • Verifique a verticalidade dos reforços. • Finalize a montagem dos reforços colocando 1 parafuso por tábu e corrija as eventuais deformações da madeira (tábuas). Verifique sistematicamente que a parte superior do reforço está bem alinhada com a da tábu e que a cabeça do parafuso está nivelada com a madeira.



Install the reinforcements with 1 screw board
Instale el refuerzo mediante 1 tornillo por tabla
Assemblez le renfort en mettant 1 vis par madrier
Bringen Sie die Verstärkung mittels einer Schraube pro Brett an
Installare il rinforzo con 1 vite per tavola
Installeer de versteviging d.m.v. een schroef per plank
Instale o reforço por meio de um parafuso por tábu



Check the verticality of the reinforcements
Compruebe la verticalidad de los refuerzos
Contrôlez l'aplomb des renforts
Prüfen Sie die vertikale Ausrichtung der Verstärkungen
Accertarsi della verticalità dei rinforzi
Controleer of de verstevigingen loodrecht zijn
Verifique a verticalidade dos reforços



The reinforcement need not necessarily touch the ground
El refuerzo no toca obligatoriamente el suelo
Le renfort ne touche pas obligatoirement le sol
Die Verstärkung berührt nicht zwangsweise den Boden
Il rinforzo non deve toccare obbligatoriamente il suolo
De versteviging hoeven niet persé de grond te raken
O reforço não toca obrigatoriamente no solo



EN TRIMMINGS L: THE REFERENCE 786226 (E) DOES NOT INCLUDE L TRIMMINGS

• Position the L trimming on the ends of the boards. • Cut off the excess part of the trimming according to the height of the pool if necessary (figure 17). • Fix trimming L using 3 screws 4 x 60 uniformly distributed over the height of the piece (figure 18).

This finishes the assembly of the structure. Now all that needs doing is to position the edges (see the edges chapter).

At this time of the assembly:

• The skimmer is positioned facing the prevailing winds. • The panel of the structure on which the removable stepladder will be located has been decided.

ES EMBELLECEDORES L: LA REFERENCIA 786226 (E) NO INCLUYE EMBELLECEDORES L

• Presente el embellecedor L sobre los extremos de las tablas. • Corte el excedente de embellecedor según la altura del vaso si es necesario (figura 17). • Fije el embellecedor L con ayuda de 3 tornillos 4 x 60 repartidos homogéneamente sobre la altura (figura 18).

El ensamblado de la estructura propiamente dicha está terminado. Solo quedaría colocar los bordes (ver el capítulo bordes).

En este momento debe tener:

• El skimmer posicionado de cara a los vientos dominantes. • El panel de la estructura sobre el que se colocará la escalera desmontable elegido.

FR CACHES L: LA RÉFÉRENCE 786226 (E) N'INCLUT PAS CACHES L

• Présentez le cache L sur les extrémités des madriers. • Coupez l'excédent de cache selon la hauteur du bassin si nécessaire (figure 17). • Fixez le cache L à l'aide de 3 vis 4x60 également réparties sur la hauteur (figure 18).

L'assemblage de la structure à proprement dit est terminé. Il ne restera plus que la mise en place des margelles (voir chapitre margelles).

A ce niveau de montage vous devez avoir :

• Positionné le skimmer face aux vents dominants. • Choisi le pan de structure qui recevra l'échelle amovible.

DE ZIERLEISTEN L: DIE REFERENZNUMMER 786226 (E) UMFASSTE KEINE ZIERLEISTEN L

• Legen Sie die Zierleiste L auf die Enden der Bretter. • Falls erforderlich, schneiden Sie das, was von der Zierleiste übersteht, je nach Höhe des Beckens (Abb. 17) ab. • Befestigen Sie die Zierleiste L mit Hilfe von 3 Schrauben 4 x 60 gleichmäßig auf der Höhe (Abb. 18).

Der Zusammenbau des Tragwerks an sich ist beendet. Nun müssen nur noch die Ränder platziert werden (siehe Kapitel Ränder).

An diesem Punkt des Zusammenbaus müssen Sie Folgendes bereits erledigt haben:

• Den Skimmer den vorherrschenden Winden zugewandt angebracht haben. • Das Paneel des Tragwerks, auf das die abnehmbare Treppe gesetzt wird, ausgewählt haben.

IT COPERTURE L: IL REFERIMENTO 786226 (E) NON INCLUDE COPERTURE L

• Posizionare la copertura L sopra la parte superiore delle tavole. • Tagliare la parte eccedente della copertura in base all'altezza della vasca se necessario (figura 17). • Fissare la copertura L con l'aiuto di 3 viti 4 x 60 divise omogeneamente per l'altezza (figura 18).

L'assemblaggio della struttura propiamente detta è terminato. Resta solo da posizionare i bordi (vedi il capitolo bordi).

In questa fase del montaggio, devi avere:

• Lo skimmer posizionato controvento rispetto ai venti dominanti. • Scelto il pannello dello struttura sopra il quale si posizionerà la scala smontabile.

NL SIERLIJSTEN L: REFERENTIE 786226 (E) BEVAT NIET SIERLIJSTEN L

• Plaats sierlijst L op de uiteinden van de planken. • Indien nodig, overtollige stukken van de sierlijst afsnijden, afhankelijk van de hoogte van het bassin (afbeelding 17). • Zet de sierlijst L vast met behulp van 3 schroeven 4 x 60 gelijkmatig over de hoogte verdeeld (afbeelding 18).

De montage van het frame zelf is nu gereed. Nu moeten alleen de randen nog worden geplaatst (zie het hoofdstuk randen).

Op dit moment van de montage, moet u het volgende hebben gedaan:

• De skimmer is met het gezicht naar de overheersende wind geplaatst. • Het paneel van het frame waartegen u de trap wilt plaatsen, is uitgekozen.

PT EMBELEZADORES L: A Ref. 786226 (EG) NÃO CONTÉM AS PEÇAS EMBELEZADORES L

• Situe o embelezador L sobre os extremos das tábuas. • Corte o excedente de embelezador segundo a altura do tanque se for necessário (figura 17). • Fixe o embelezador L com a ajuda de 3 parafusos 4 x 60 distribuídos homogeneamente sobre a altura (figura 18).

A montagem da estrutura propiamente dita está concluída. Resta apenas colocar os bordos (ver o capítulo Bordos).

Neste momento da montagem, deve ter:

• O skimmer posicionado voltado para os ventos dominantes. • O painel da estrutura sobre o qual a escada desmontável escolhida será montada.

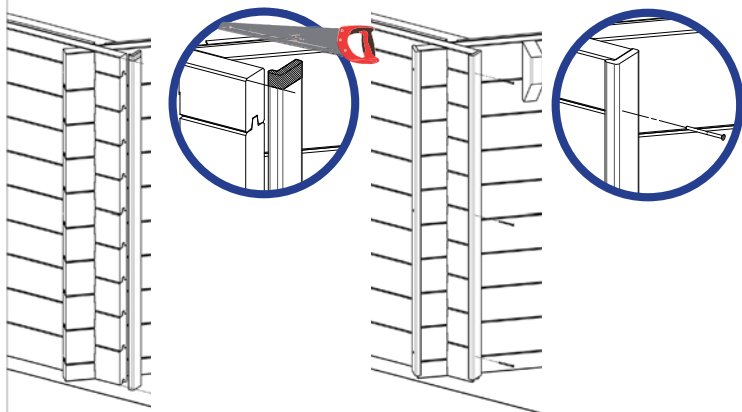


Fig. 17 / Abb. 17 /
Afb. 17

Fig. 18 / Abb. 18 /
Afb. 18

EN

WOODEN STEPLADDER

Models 786226 (EG) and 783331 (EG) do not include the wooden / steel staircase, check your pool kit to verify the ladder assembly.

ES

ESCALERA DE MADERA

Las Ref. 786226 (EG) y 783331 (EG) no incluyen la escalera madera/inox, consulte su kit de piscina para comprobar el montaje de su escalera.

FR

ECHELLE BOIS

Les références 786226EG et 783331EG n'incluent pas l'échelle bois/inox, vérifiez votre kit de piscine pour le montage de l'échelle.

DE

HOLZTREPPE

Die Referenznummern 786226 (EG) und 783331 (EG) umfassen nicht die Holz-/stahltrappe, kontrollieren Sie Ihren Pool-Bausatz zur Prüfung des Leiterbausatzes.

IT

SCALA DI LEGNO

I riferimenti 786226 (EG) e 783331 (EG) non includono la scaletta in legno / acciaio, verificare all'interno del kit la tipologia di elemento fornito.

NL

HOUTEN TRAP

De referenties 786226 (EG) en 783331 (EG) worden niet geleverd met houten / metalen trap, kijk uw zwembadkit na om de trapset te controleren.

PT

ESCADA DE MADEIRA

As referências 786226 (EG) e 783331 (EG) não incluem a escada de madeira / aço, verifique o seu kit de piscina para verificar o conjunto de escada.

EN

Check the drawings (See page 20).

The wooden stepladder is included for access to the pool. Do not use for anything else.

Assemble the wooden stepladder and use it as a template to define the separation of the wooden blocks that support it. In the case that the pool has an elongated shape, the stepladder will be positioned on a small side.

Centre the external stepladder in relation to the side.

Drill with a \varnothing 10 mm bit for wood the 2 support and the 2 wooden blocks.

Do not use the stepladder for other needs different to those indicated in this manual.

Admitted maximum weight = 150 kgs.

It is COMPULSORY to remove the stepladder after using the pool.

According to the height of the pool, the stepladder may need adjusting.

• Cut the supports of the ladder checking the dimensions as shown in figure 19 at the bottom part of the stepladder support and saw off the part you do not need. • Assemble the stepladder and position it as shown in figure 20.

ES

Consulte los planos (Ver página 20).

La escalera de madera se incluye para acceder a la piscina. No la utilice para otros fines.

Monte la escalera de madera y utilícela como patrón para determinar la separación de los tacos de madera que la sostienen. En el caso de que el vaso tenga forma alargada, la escalera se coloca únicamente en un lado pequeño.

Centre la escalera exterior de madera respecto al lateral.

Perfore con una broca para madera de \varnothing 10 mm las 2 zancas y los 2 tacos de madera.

No utilice la escalera para otros fines distintos a aquellos indicados en este manual.

Peso máximo admitido = 150 kg.

Retire OBLIGATORIAMENTE la escalera después de cada uso de la piscina.

Según la altura del vaso, puede resultar necesario un reajuste de la escalera.

• Recorte las zancas de la escalera consultando las dimensiones de la (figura 19) en la parte baja de la zanca de la escalera y sierra la parte que quiere retirar. • Monte la escalera y colóquela conforme a la figura 20.

FR

Référez-vous aux plans (Voir page 20).

L'échelle bois est fournie pour accéder au bassin. Ne pas l'utiliser à d'autres fins.

Montez l'échelle bois puis utilisez-la comme gabarit pour déterminer l'écartement des consoles la recevant. Dans le cas d'un bassin de forme allongée, l'échelle se positionne uniquement sur un petit côté.

Centrez l'échelle extérieure bois par rapport au côté.

Percez avec un foret à bois \varnothing 10 mm les 2 limons et les 2 consoles.

Ne pas utiliser l'échelle à d'autres fins que celles précisées dans cette notice.

Masse maximale admissible = 150 kg.

Retrait IMPERATIF de l'échelle après chaque utilisation du bassin.

Selon la hauteur du bassin, un réajustement de l'échelle peut-être nécessaire.

• Recoupez les limons de l'échelle en reportant la dimension a (figure 19) au bas du limon de l'échelle et sciez la partie à extraire. • Assemblez l'échelle et placez-la conformément à la figure 20.

DE

Konsultieren Sie die Zeichnungen (Siehe Seite 20).

Die Holztrappe, um in den Pool zu gelangen, ist inbegriffen. Verwenden Sie sie nicht für andere Zwecke.

Montieren Sie die Holztrappe und verwenden Sie sie als Muster zur Bestimmung der Trennung der Konsolen, die sie stützen. Falls das Becken eine längliche Form hat, wird die Treppe nur an einer kurzen Seite platziert.

Zentrieren Sie die äußere Holztrappe in Bezug auf die Seite.

Durchbohren Sie die 2 Treppenwangen und die 2 Konsolen mit einem Holzbohrer mit 10 mm \varnothing .

Verwenden Sie die Treppe nicht für andere Zwecke als die in diesem Handbuch beschriebenen.

Zulässiges Höchstgewicht = 150 kg.

Entfernen Sie die Treppe ZWINGEND nach jeder Nutzung des Pools.

Je nach Höhe des Beckens kann eine Nachstellung der Treppe erforderlich sein.

• Beschnitten Sie die Treppenwangen unter Beachtung der Maße (Abb. 19) im unteren Teil der Treppenwange und sägen Sie den Teil, den Sie entfernen möchten, ab. • Bauen Sie die Treppe zusammen und platzieren Sie sie wie in Abb. 20.

IT Consultare i disegni (Vedere a pagina 20).

La scala di legno per accedere alla piscina è inclusa. Non utilizzarla per scopi diversi.

Montare la scala di legno e utilizzarla come metro per determinare la separazione dei tasselli che la sostengono. Nel caso in cui la vasca abbia forma rettangolare, la scala si posiziona su uno dei lati corti.

Centrare la scala esterna di legno rispetto alla parete.

Perforare con una punta per il legno di Ø 10 mm i due montanti e i due tasselli.

Non utilizzare la scala per scopi diversi da quelli indicati nel presente manuale.

Peso massimo consentito = 150 kg.

Togliere OBBLIGATORIAMENTE la scala dopo ogni utilizzo della piscina.

In base all'altezza della vasca, può essere necessario regolare la scala.

• Ritagliare i montanti della scala consultando le dimensioni della (figura 19) nella parte bassa del montante e chiudere la parte che si vuole togliere.

• Montare la scala e posizionarla come indicato nella figura 20.

NL Raadpleeg de plannen (Zie pagina 20).

De houten trap is bijgeleverd voor toegang tot het zwembad. Gebruik hem niet voor andere doeleinden.

Monteer de houten trap en gebruik hem als patroon om de afstand te bepalen tussen consoles die de trap ondersteunen. In het geval dat het bassin een langgerekte vorm heeft, wordt de trap alleen aan een korte kant geplaatst.

Centreer de houten buitentrap ten opzichte van de zijkanten.

Boor gaten met een houtboor van Ø 10 mm in de 2 trapbomen en de 2 consoles.

Gebruik de trap niet voor andere doeleinden dan die welke zijn aangegeven in deze handleiding.

Maximaal toelaatbaar draaggewicht = 150 kg.

De trap VERPLICHT weghalen na ieder gebruik van het zwembad.

Afhankelijk van de hoogte van het bassin, kan het nodig blijken om de trap aan te passen.

• Zaag de bomen van de trap op maat door te meten hoever hij uitsteekt (afbeelding 19) en teken een evenredig deel af op het onderste deel van de trapboom en zaag dat stuk eraf.

• Monteer de trap en plaats hem zoals aangegeven op afbeelding 20.

PT Consulte os planos (Ver página 20).

A escada de madeira é incluída para aceder à piscina. Não a utilize para outros fins.

Monte a escada de madeira e utilize-a como padrão para determinar a separação dos blocos de madeira que a sustentam. No caso de o tanque ter forma alongada, a escada deverá ser colocada apenas num dos lados mais curtos.

Centre a escada exterior de madeira relativamente ao lado.

Fure com uma broca para madeira de Ø 10 mm as 2 vigas de escada e os 2 blocos de madeira.

Não utilize a escada para outros fins distintos dos referidos neste manual.

Peso máximo admitido = 150 kg.

Retire OBRIGATORIAMENTE a escada depois de cada uso da piscina.

Segundo a altura do tanque, pode ser necessário um reajuste da escada.

• Corte as vigas da escada consultando as dimensões da (figura 19) na parte baixa da viga da escada e serre a parte que pretende retirar.

• Monte a escada e coloque-a conforme a figura 20.

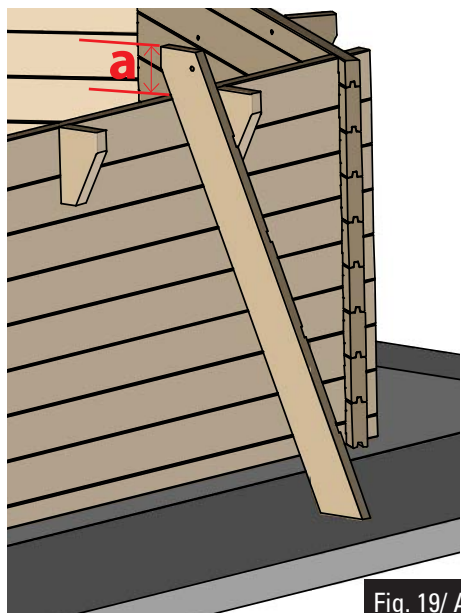


Fig. 19/ Abb. 19 /
Afb. 19

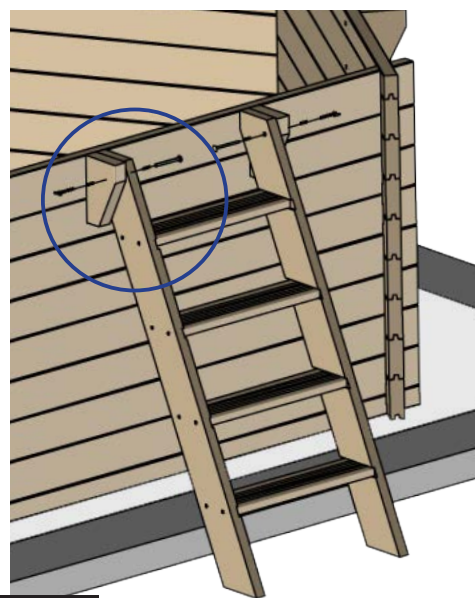
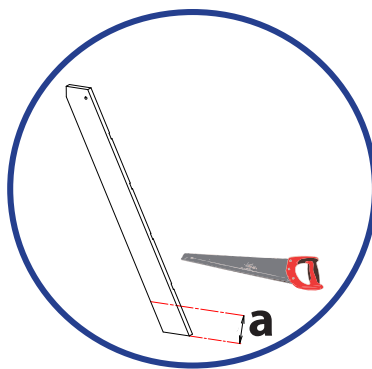
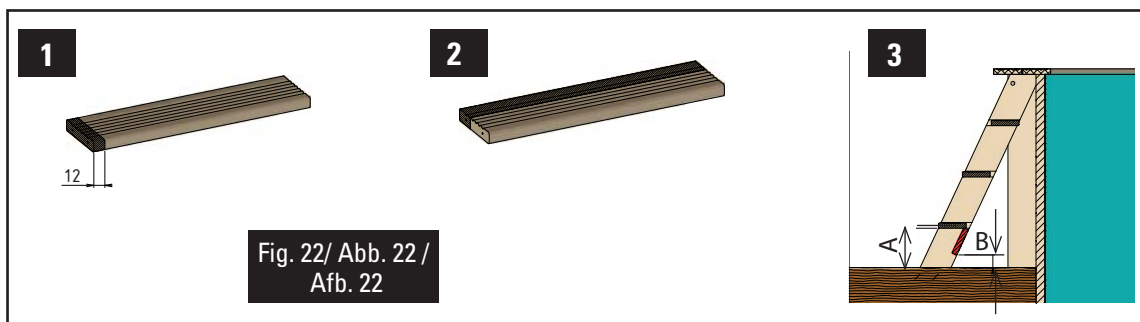


Fig. 20/ Abb. 20 /
Afb. 20



EN In the case that the pool is partially in-ground the stepladder should be cut to adapt it to the pool. For safety reasons, if the space between the floor and the first step is between 80 and 230 mm (dimension A) close this space using the step of the ladder you have removed so that dimension B is less than 89 mm. To do that, follow these steps:

1- Reduce the length of the step by 12 mm.

2- If dimension A is less than 140 mm, reduce the width of the step so that when the step is installed the space below its is completely closed.

3- Assemble the modified step in the stepladder as shown in the upper diagram, trying to pre-cut the stepladder support.

ES En caso de que la piscina se encuentre parcialmente enterrada es necesario recortar la escalera para adaptarla a su piscina. Por motivos de seguridad, si el espacio entre el suelo y el primer escalón se sitúa entre los 89 y los 230 mm (cota A), se cierra este espacio fijando el peldaño de la escalera que no se utiliza de tal forma que la cota B sea inferior a 89 mm. Para ello, haga lo siguiente:

1- Reduzca la longitud del escalón 12 mm

2- Si la dimensión A es inferior a 140 mm, reduzca el ancho del escalón de tal forma que cuando se instale el escalón el espacio bajo este esté completamente cerrado.

3- Monte el escalón modificado en la escalera como muestra el esquema superior, procurando precortar la zanca de la escalera.

FR Dans le cas où votre bassin est partiellement enterré, une recoupe de l'échelle est nécessaire pour adapter celle-ci à votre bassin. Pour des raisons de sécurité, si l'espace entre le sol et le premier échelon est compris entre 89 et 230 mm (cote A), fermez cet espace en fixant la marche de l'échelle non utilisée, de telle sorte que la cote B soit inférieure à 89 mm. Pour ce faire, procédez comme suit :

1- Réduisez la longueur de la marche de 12mm

2- Si la dimension A est inférieure à 140 mm, réduisez la largeur de la marche de telle sorte qu'une fois la marche montée, l'espace sous la marche soit complètement fermé.

3- Montez la marche ainsi modifiée sur l'échelle comme indiqué sur le schéma ci-dessus, en prenant soin de prépercer le limon de l'échelle.

DE Falls der Pool teilweise eingelassen ist, müssen Sie die Treppe kürzen, um sie an Ihren Pool anzupassen. Wenn der Raum zwischen dem Boden und der ersten Stufe zwischen 89 und 230 mm liegt (Höhenangabe A), schließen Sie diesen Raum, indem Sie aus Sicherheitsgründen die Stufe der Treppe, die nicht benutzt wird, so dass die Höhenangabe B unter 89 mm liegt. Hierfür gehen Sie folgendermaßen vor:

1- Kürzen Sie die Länge der Treppenstufe um 12 mm.

2- Wenn die Abmessung A unter 140 mm liegt, verringern Sie die Breite der Treppenstufe so, dass der Raum darunter vollständig geschlossen ist, wenn die Treppenstufe eingebaut wird.

3- Montieren Sie die abgeänderte Treppenstufe an der Leiter, wie die Zeichnung oben zeigt, und achten Sie darauf, die Treppenwange vorzuschneiden.

IT Nel caso in cui la piscina sia parzialmente interrata è necessario adattare la scala alla piscina. Per ragioni di sicurezza, se lo spazio tra il suolo e il primo gradino è tra gli 89 e i 230 mm (quota 1) chiudere questo spazio fissando lo scalone che non si utilizza in modo che la quota B sia inferiore a 89 mm. In questo caso, seguire queste indicazioni:

1- Ridurre la lunghezza del gradino di 12 mm.

2- Se la dimensione A è inferiore a 140 mm, ridurre la larghezza del gradino affinché quando si installi lo scalino lo spazio al di sotto di esso sia completamente chiuso.

3- Montare lo scalino modificando la scala come indicato nello schema superiore, ritagliano il montante della scala.

NL Indien het zwembad halfverdiept is aangelegd, moet de trap worden ingekort om op maat te zijn voor uw zwembad. Om veiligheidsredenen - als de ruimte tussen de grond en de eerste trede zich tussen de 89 en 230 mm (afmeting A) bevindt, deze ruimte sluiten door de trede van de trap die niet wordt gebruikt zodanig dat afmeting B kleiner is dan 89 mm. Daartoe doet u het volgende:

1- Verminder de lengte van de trede met 12 mm.

2- Als afmeting A kleiner is dan 140 mm, verminder de breedte van de trede zodanig dat wanneer u de trede in de ruimte daaronder installeert deze volledig is gesloten.

3- Monteer de aangepaste trede in de trap zoals op het bovenste schema is aangegeven, waarbij de boom van de trap van te voren is ingekort.

PT No caso de a piscina estar parcialmente enterrada, será necessário cortar a escada para adaptá-la à piscina. Por motivos de segurança, se o espaço entre o solo e o primeiro degrau se situa entre os 89 e os 230 mm (cota A), feche este espaço fixando o degrau da escada que não se utiliza de tal forma que a cota B seja inferior a 89 mm. Para isso, faça o seguinte:

1- Reduza o comprimento do degrau 12 mm.

2- Se a dimensão A é inferior a 140 mm, reduza a largura do degrau de tal forma que, quando o degrau for instalado, o espaço debaixo deste esteja completamente fechado.

3- Monte o degrau modificado na escada como mostrado no esquema superior, procurando cortar previamente a viga da escada.

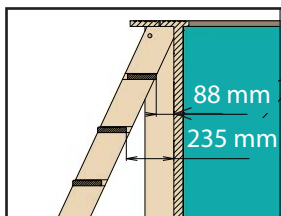
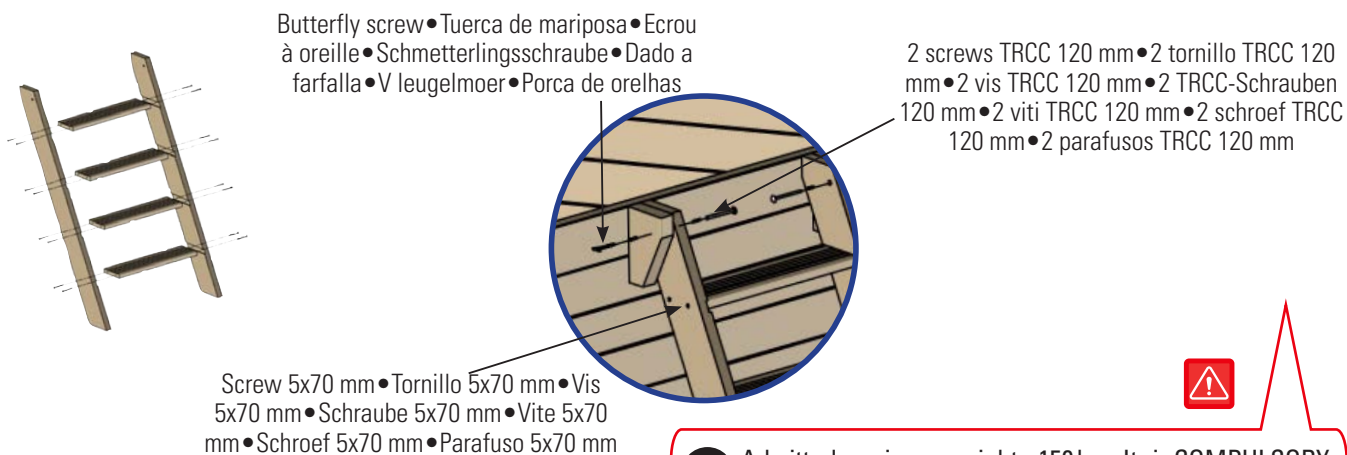


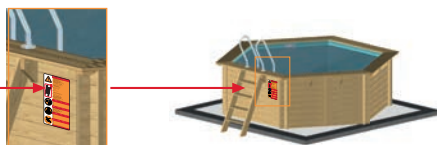
Fig. 21/ Abb. 21 /
Afb. 21

- EN For safety reasons, you should respect these dimensions whatever the configuration of the pool assembly.
- ES Por motivos de seguridad, es obligatorio respetar estas cotas cualquiera sea la configuración de montaje del vaso
- FR Pour des raisons de sécurité, cotes à respecter impérativement, quelle que soit la configuration de montage de votre bassin.
- DE Aus Sicherheitsgründen müssen Sie diese Höhenangaben unabhängig von der Konfiguration beim Zusammenbau des Beckens beachten.
- IT Per ragioni di sicurezza, è obbligatorio rispettare queste misure qualsiasi sia la configurazione del montaggio della vasca.
- NL Om veiligheidsredenen is het verplicht om deze afmetingen in acht te nemen, ongeacht de montageconfiguratie van het bassin.
- PT Por motivos de segurança, é obrigatório respeitar estas cotas seja qual for a configuração de montagem do tanque.



YOU WILL FIND ATTACHED TO THIS MANUAL SOME STICKERS TO BE STUCK ON THE POOL • ADJUNTO A ESTE MANUAL ENCONTRARÁ UNA ETIQUETA PARA ADHERIRLA A LA PISCINA • VOUS TROUVEREZ JOINTES À VOTRE NOTICE DEUX ESTAMPILLES À COLLER SUR VOTRE BASSIN • DIESEM HANDBUCH LIEGEN ZWEI WARNHINWEISE ZUM AUFKLEBEN AM POOL BEI • ALLEGATI AL PRESENTE MANUALE VI SONO DUE AVVISI DA ATTACCARE ALLA PISCINA • BIJGEVOEGD BIJ DEZE HANDLEIDING VINDT U TWEË WAARSCHUWINGEN OM AAN TE BRENGEN OP HET ZWEMBAD • JUNTOS A ESTE MANUAL ENCONTRARÁ DOIS AVISOS QUE DEVEM SER COLADOS NA PISCINA

- EN Admitted maximum weight = 150 kgs. Its is **COMPULSORY** to remove the stepladder after using the pool.
- ES Peso máximo admitido = 150 kg. Retire **OBLIGATORIAMENTE** la escalera después de cada uso de la piscina.
- FR Masse maximale admissible = 150 kg. Retrait **IMPERATIF** de l'échelle après chaque utilisation du bassin.
- DE Zulässiges Höchstgewicht = 150 kg. Entfernen Sie die Treppe **ZWINGEND** nach jeder Nutzung des Pools.
- IT Peso massimo consentito = 150 kg. Togliere **OBLIGATORIAMENTE** la scala dopo ogni utilizzo della piscina.
- NL Maximaal toegestaan gewicht = 150 kg. Haal de trap **VERPLICHT** weg na elk gebruik van het zwembad.
- PT Peso máximo admitido = 150 kg. Retire **OBRIGATORIAMENTE** a escada depois de cada uso da piscina.



EN

PROTECTIVE WALL BLANKET

ES

MANTA PROTECTORA DE PARED

FR

FEUTRE DE PAROI

DE

SCHUTZDECKE AN DER WAND

IT

COPERTURA DI PROTEZIONE DELLA PARTE

NL

BESCHERMDEKEN MUUR

PT

MANTA PROTETORA DE PAREDE



Fig. 23/Abb. 23/Afb. 23

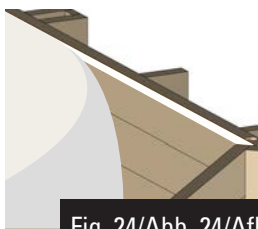


Fig. 24/Abb. 24/Afb. 24



Fig. 25/Abb. 25/Afb. 25

EN (THE REFERENCE 786226 (E) DOES NOT INCLUDE PROTECTIVE WALL BLANKET) There are two possibilities to install the wall protecting blanket

TWO FACED ADHESIVE TAPE (NOT INCLUDED)

- Stick the two-faced adhesive tape panel by panel, aligning it with the upper part of the top boards (figure 23). If the wood is slightly humid and dusty, it can be smoothed using sandpaper to facilitate adherence.

- Check that the walls and floor are clean.. Remove screws, bark, shavings, sawdust...

- Unroll the blanket aligning it to the upper edge of the top boards (figure 24).

- Cut of the excess blanket and eliminate any folds.

STAPLER (NOT INCLUDED)

- Staple the end of the blanket starting from a corner.

- Unroll the blanket aligning it to the upper edge of the top boards.

Use one staple every 20 cm. (figure 25)

- Cut of the excess blanket and eliminate any folds.

ES (LA REFERENCIA 786226 (E) NO INCLUYE MANTA PROTECTORA DE PARED) Dos posibilidades para instalar la manta protectora de pared.

ADHESIVO DE DOBLE CARA (NO INCLUIDO)

- Pegue el adhesivo de doble cara panel a panel, alineándolo por la parte superior de las tablas superiores (figura 23).

Si la madera está un poco húmeda o tiene polvo, puede suavizarla con una lija para facilitar la adherencia.

- Compruebe la limpieza de las paredes y del suelo. Retire tornillos, costras, virutas, serrín...

- Desenrolle la manta alineándola por el borde superior de las tablas superiores (figura 24).

- Corte el excedente de manta y elimine los posibles pliegues.

GRAPADORA (NO INCLUIDA)

- Grape el extremo de la manta comenzando por una esquina.

- Desenrolle la manta alineándola por el borde superior de las tablas superiores.

- Coloque una grapa cada 20 cm (figura 25).

- Corte el excedente de manta y elimine los posibles pliegues.

FR (LA RÉFÉRENCE 786226 (E) N'INCLUT PAS FEUTRE DE PAROI) Deux possibilités pour installer le feutre de paroi.

L'ADHÉSIF DOUBLE FACE (NON FOURNI)

- Collez l'adhésif double face pan par pan, en, l'alignant au sommet des madriers supérieurs (figure 23).

Si le bois est un peu humide ou poussiéreux, vous pouvez l'adoucir avec un papier de verre pour faciliter l'adhérence.

- Vérifier la propreté des parois et du sol. Retirez vis, échardes, copeaux, sciure...

- Dérouler le feutre en alignant sur le bord des madriers supérieurs. (figure 24)

- Découpez l'excédent de feutre et éliminez les plis éventuels.

L'AGRAFEUSE (NON FOURNIE)

- Agrafes l'extrémité du feutre en commençant par un angle.

- Dérouler le feutre en alignant sur le bord des madriers supérieurs.

- Positionner les agrafes tous les 20 cm (figure 25)

- Découpez l'excédent de feutre et éliminez les plis éventuels.

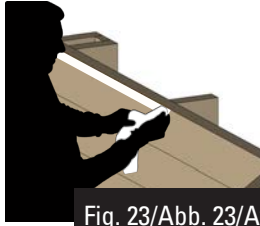


Fig. 23/Abb. 23/Afb. 23

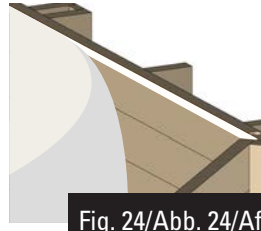


Fig. 24/Abb. 24/Afb. 24



Fig. 25/Abb. 25/Afb. 25

DE (DIE REFERENZNUMMER 786226 (E) UMFASSTE KEINE SCHUTZDECKE AN DER WAND) Zwei Möglichkeiten zum Anbringen der Wandschutzdecke.

DOPPELSEITIGES KLEBEBAND (NICHT IM LIEFERUMFANG ENTHALTEN)

- Kleben Sie das doppelseitige Klebeband, Paneel nach Paneel, auf, indem Sie es am oberen Teil der oberen Bretter ausrichten (Abb. 23). Wenn das Holz ein wenig feucht oder staubig ist, können Sie es mit Sandpapier glätten, um das Anhaften zu erleichtern.
- Prüfen Sie, ob Wände und Boden sauber sind. Entfernen Sie Schrauben, Krusten, Späne, Sägemehl...
- Entrollen Sie die Decke und richten Sie sie am oberen Rand der oberen Bretter aus (Abb. 24).
- Schneiden Sie das ab, was von der Decke übersteht, und entfernen Sie etwaige Falten.

HEFTER (NICHT IM LIEFERUMFANG ENTHALTEN)

- Heften Sie das Ende der Decke an, indem Sie an einer Ecke beginnen.
- Entrollen Sie die Decke und richten Sie sie am oberen Rand der oberen Bretter aus.
- Setzen Sie alle 20 cm eine Heftklammer (Abb. 25).
- Schneiden Sie das ab, was von der Decke übersteht, und entfernen Sie etwaige Falten.

IT (IL REFERIMENTO. 786226 (E) NON INCLUDE COPERTURA DI PROTEZIONE DELLA PARTE) Due possibilità per installare la copertura della parete.

NASTRO BIADIESIVO (NON INCLUSO)

- Attaccare il nastro biadesivo su ogni singolo pannello, allineandolo col la parte superiore delle tavole superiori (figura 23). Se il legno è un po' umido o polveroso, lisciarlo con la carta vetrata per facilitare l'aderenza.
- Controllare la pulizia delle pareti e del suolo. Togliere viti, croste, trucioli, segatura...
- Stendere la copertura allineandola con il bordo superiore delle tavole superiori (figura 24).
- Tagliare la copertura in eccesso ed eliminare le possibili pieghe.

CUCITRICE (NON INCLUSA)

- Pinzare l'estremità della copertura iniziando da un angolo.
- Stendere la copertura allineandola con il bordo superiore delle tavole superiori.
- Mettere una grappa ogni 20 cm (figura 25).
- Tagliare la copertura in eccesso ed eliminare le possibili pieghe.

NL (LA REFERENTIE 786226 (E) BEVAT NIET BESCHERMDEKEN MUUR) Er zijn twee mogelijkheden om de beschermende wanddeken te installeren.

DUBBELZIJDIG PLAKBAND (NIET BIJGELEVERD)

- Plak het dubbelzijdig plakband van paneel tot paneel, in lijn met het bovenste deel van de bovenste planken (afbeelding 23). Indien het hout een beetje nat of stoffig is, kunt u het met schuurpapier gladder maken zodat de hechting beter is.
- Controleer of de wanden en de vloer schoon zijn. Verwijder schroeven, resten, snippers, zaagsel...
- Rol de deken af in lijn met de bovenrand van de bovenste planken (afbeelding 24).
- Snij het uitstekende deel van de deken weg en verwijder eventuele vouwen.

NIETPISTOOL (NIET BIJGELEVERD)

- Niet het uiteinde van de deken vast, te beginnen vanuit een hoek.
- Rol de deken af in lijn met de bovenrand van de bovenste planken.
- Plaats elke 20 cm een nietje (afbeelding 25).
- Snij het uitstekende deel van de deken weg en verwijder eventuele vouwen.

PT (A Ref. 786226 (EG) NÃO CONTÉM AS PEÇAS MANTA PROTETORA DE PAREDE) Duas possibilidades para instalar a manta protetora de parede.

AUTOCOLANTE DE DUPLA FACE (NÃO INCLUÍDO)

- Cole o autocolante de face dupla painel a painel, alinhando-o pela parte superior das tábuas superiores (figura 23). Se a madeira estiver um pouco húmida ou tem pó, poderá suavizá-la com uma lixa para facilitar a aderência.
- Verifique a limpeza das paredes e do solo. Retire parafusos, crostas, aparas, serradura...
- Desenrole a manta alinhando-a pelo bordo superior das tábuas superiores (figura 24).
- Corte o excedente de manta e elimine as eventuais dobras.

AGRAFADOR (NÃO INCLUÍDO)

- Agrafe o extremo da manta começando por um canto.
- Desenrole a manta alinhando-a pelo bordo superior das tábuas superiores.
- Coloque um agrafador a cada 20 cm (figura 25).
- Corte o excedente de manta e elimine as eventuais dobras.

EN

FIXING OF THE SKIMMER JOINT

ES

FIJACIÓN DE LA JUNTA DEL SKIMMER

FR

FIXATION DU JOINT DE SKIMMER

DE

BEFESTIGUNG DER DICHTUNGDES SKIMMER

IT

FISSAGGIO DEL GIUNTO DELLO SKIMMER

NL

VASTZETTEN VAN DE SKIMMERVERBINDING

PT

FIXAÇÃO DA JUNTA DO SKIMMER

EN

The skimmer is the water suction point from the pool to the filter. Its position facing the prevailing winds allows recovery of all the possible residues floating on the surface of the water (dust, leaves...)

INSTALLATION

- Fix the first watertight seal (flat joint) to the body of the skimmer using the 4 round-head screws, respecting the illustrated position.

ES

El skimmer es el punto de aspiración de agua de la piscina hacia la filtración. Su posición de cara a los vientos dominante permite recuperar los posibles residuos a flote en la superficie del agua (polvo, hojas...)

INSTALACIÓN

- Fije la primera junta de estanqueidad (junta plana) en el cuerpo del skimmer con ayuda de los 4 tornillos de cabeza redondeada, respetando la posición ilustrada.

FR

Le skimmer est le point d'aspiration de l'eau du bassin vers la filtration. Sa position face aux vents dominants permet de récupérer les éventuels déchets dérivant à la surface de l'eau (poussières, feuilles...)

MISE EN PLACE

- Fixez le 1er joint d'étanchéité (joint plat) sur le corps du skimmer à l'aide des 4 vis à tête bombée, en respectant le positionnement illustré.

DE

Der Skimmer ist der Wasseransaugpunkt des Pools Richtung Filtration. Seine Position den vorherrschenden Winden zugewandt ermöglicht das Auffangen etwaiger Reste, die an der Oberfläche des Wassers (Staub, Blätter...) treiben.

MONTAGE

- Befestigen Sie die erste Fugendichtung (Flachdichtung) am Gehäuse des Skimmers mit Hilfe von 4 Rundkopfschrauben unter Beachtung der dargestellten Position.

IT

Lo skimmer è il punto di aspirazione dell'acqua della piscina verso la filtrazione. La sua posizione controvento rispetto ai venti dominanti permette di recuperare i possibili residui a galla sulla superficie dell'acqua (polvere, foglie...).

INSTALLAZIONE

- Fissare il primo giunto di impermeabilità (giunto piano) nel corpo dello skimmer con l'aiuto delle 4 viti con la testa rotonda, rispettando la posizione illustrata.

NL

De skimmer is het punt waar het zwembadwater naar de filtering wordt gezogen. Zijn stand met het gezicht naar de overheersende windrichting zorgen ervoor dat eventueel vuil dat aan de wateroppervlakte drijft (stof, bladeren...) wordt opgevangen

INSTALLATIE

- Zet de eerst waterdichte pakking (platte pakking) vast in de body van de skimmer met behulp van de 4 schroeven met ronde kop, waarbij u de getoonde stand in acht neemt.

PT

O skimmer é o ponto de aspiração de água da piscina para a filtração. A sua posição voltada para os ventos dominante permite recuperar os eventuais resíduos a flutuar na superfície da água (poeira, folhas...)

INSTALAÇÃO

- Fixe a primeira junta de estanqueidade (junta plana) no corpo do skimmer com a ajuda dos 4 parafusos de cabeça arredondada, respeitando a posição mostrada.

EN

LOCATION OF THE REFILLING FITTING WITH KEY

ES

SITUACIÓN DE LA BOQUILLA DE SALIDA

FR

EMPLACEMENT BUSE DE REFOULEMENT

DE

EINBAUSTELLE DES DRUCKVENTILS

IT

POSIZIONE DELL'UGELLO DI MANDATA

NL

PLAASTING VAN HET UITSTROOMMONDSTUK

PT

SITUAÇÃO DA BOQUILHA DE IMPULSÃO

Wooden structure • Estructura de madera • Structure bois •
Tragewerk aus Holz • Struttura in legno • Houten constructie
• Estrutura de madeira

Blanket • Manta • Feutre • Decke
Copertura • Deken

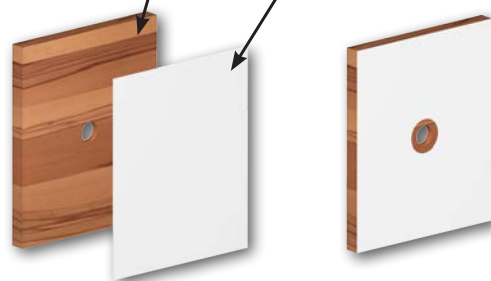


Fig. 26 / Abb. 26 / Afb. 26



- Blanket included only in some models.
- Manta incluida solo en algunos modelos.
- Feutre incluse uniquement dans certains modèles.
- Decke nur bei einigen Modellen im Lieferumfang enthalten.
- Copertura inclusa solo in alcuni modelli.
- Deken alleen bijgeleverd bij bepaalde modellen.
- Manta incluida apenas nalguns modelos.

EN The refilling fitting with key is for introducing water into the pool. It goes through the wall through the hole made in the pre-cut board.

INSTALLATION

- Locate the position of the hole for the nozzle.
- Make a cross-shaped cut in the blanket from inside the pool.
- Cut the blanket with a cutter. The cut will be larger than the hole (hole radius + 2 cm).

⚠ The automatic cleaner connection of the skimmer is only used for pool maintenance.

ES La boquilla de salida sirve para introducir agua filtrada en el vaso. Atraviesa la pared por el orificio reservado en la tabla precortada.

INSTALACIÓN

- Localice la ubicación del orificio para la boquilla.
- Haga un corte en cruz en la manta desde el interior de la piscina.
- Corte la manta con un cúter. El corte será superior al orificio (radio del orificio + 2 cm).

⚠ La toma de limpiafondos del skimmer solo se utiliza para el mantenimiento de la piscina.

FR La buse de refoulement sert à faire entrer l'eau filtrée dans le bassin. Elle traverse la paroi via l'orifice circulaire réservé sur le madrier pré-percé.

MISE EN PLACE

- Bien repérer l'emplacement du trou de la buse.
- Faire une entaille en croisé dans le feutre depuis l'intérieur du bassin.
- Découper le feutre au cutter. La découpe sera supérieure au trou (rayon du trou + 2 cm).

⚠ La prise balai du skimmer ne s'utilise que lors de l'entretien de votre piscine.

DE Das Druckventil führt dem Becken gefiltertes Wasser zu. Sie durchquert die Wand durch die Öffnung, die in dem vorgeschrittenen Brett ausgespart ist.

MONTAGE

- Lokalisieren Sie die Position der Öffnung für die Düse.
- Machen Sie vom Inneren des Pools einen kreuzförmigen Einschnitt in die Decke.
- Schneiden Sie die Decke mit einem Cutter. Der Schnitt ist größer als die Öffnung (Radius der Öffnung + 2 cm).

⚠ Der Anschluss des Skimmers wird nur für die Instandhaltung des Pools verwendet.

IT L'ugello di mandata serve ad introdurre acqua filtrata nella vasca. Passare attraverso la parete attraverso l'apposito foro nella tavola pretagliata.

INSTALLAZIONE

- Individuare l'ubicazione del foro per l'ugello.
- Fare un taglio a croce nella copertura dall'interno della piscina.
- Tagliare la copertura con un taglierino. Il taglio sarà più ampio del foro (raggio del foro + 2 cm).

⚠ Il tubo del pulisci fondo dello skimmer si usa solo per la manutenzione della piscina.

NL Het uitstroommondstuk dient om gefilterd water in het bassin te laten stromen. Ga door de wand door het uitgespaarde gat in de voorgezaagde plank.

INSTALLATIE

- Lokaliseer de plaats van het gat voor het mondstuk.
- Zet vanaf de binnenkant van het zwembad een kruiselingse snede in de deken
- Snij de deken af met een stanleymes. De snede moet groter zijn dan het gat (omtrek van het gat + 2 cm).

⚠ De steel van de bodemreiniger van de skimmer wordt enkel gebruikt voor het onderhoud van het zwembad.

PT A boquilha de impulsão serve para introduzir água filtrada no tanque. Atravessa a parede pelo orificio reservado na tábuá pré-cortada.

INSTALAÇÃO

- Localize a situação do orificio para a boquilha.
- Realize um corte em cruz na manta a partir do interior da piscina.
- Corte a manta com um estilete. O corte será superior ao orificio (raio do orificio + 2 cm).

⚠ A tomada limpa-fundos do skimmer è utilizada apenas para a manutenção da piscina.

EN

ES

FR

DE

IT

NL

PT

FIXING OF THE LINER FIXING PROFILES

FIJACIÓN DE LOS PERFILES DE SUJECCIÓN DEL LINER

BAGUETTE LINER

PROFIL LINER

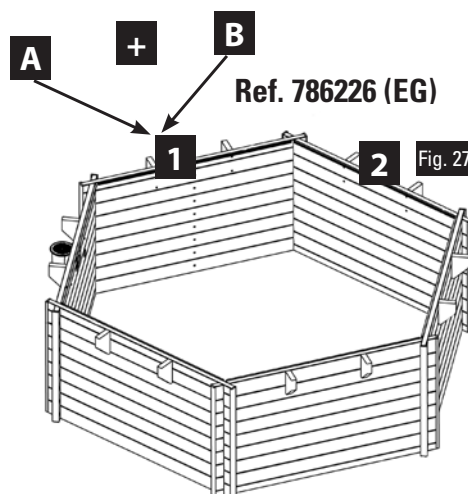
PROFILO LINER

KLEMPROFIEL LINER

PERFIL LINER

INSTALLATION OF THE LINER HOOKING PROFILE
 COLOCACIÓN DE LOS PERFILES DE ENGANCHE DEL LINER
 POSITIONNEMENT DES BAGUETTES D'ACCROCHE DE LINER
 POSITIONIERUNG DER EINHAKPROFILE DES LINERS
 POSIZIONAMENTO DEI PROFILI DI AGGANCIO DEL LINER
 PLAATSIING VAN DE KLEMPROFIELEN VOOR INHANGEN VAN DE LINER
 COLOÇÃO DOS PERFIS DE ENGATE DO LINER

- A** Fixing the profile by 5 screws
 Listón entero fijado por 5 tornillos
 Baguette entière fixée par 5 vis
 Ganze Leiste angebracht mit 5 Schrauben
 Fissaggio del profilo intero con 5 viti
 Compleet klemprofiel te bevestigen met 5 schroeven
 Fixação perfil entero por 5 parafusos
- B** Fixing the pre-cut profile by 2 screws
 Listón recortado fijado por 2 tornillos
 Baguette découpée fixée par 2 vis
 Gekürzte Leiste angebracht mit 2 Schrauben
 Fissaggio del profilo ritagliato con 2 viti
 Ingekort klemprofiel te bevestigen met 2 schroeven
 Fixação perfil recortado por 2 parafusos

**1 Ref. 786226 (EG)**

EN ADJUSTMENT AND FIXING OF THE PROFILES: Place the liner strip 20 mm from the junction. Perforate the strip with a 4 mm Ø drill bit, beginning 50 mm from the edge. Screw in the strip at the upper edge of the upper using the 5 screws (4 x 40). Distribute the screws evenly along the strip. To finish the panel, put an end-piece in place. Using a hacksaw, cut the excess off of the strip, maintaining a distance of 20 mm from the junction. Affix the strip with two screws (4 x 40), distributed evenly.

Do not previously drill the boards.

ES AJUSTE Y FIJACIÓN DE LOS LISTONES: Presente el listón del liner procurando colocarlo a 20 mm del eje. Perfore el listón con una mecha de Ø 4 mm empezando a 50 mm del borde. Atornille el listón al nivel del borde de la tabla superior mediante los 5 tornillos (4x40). Reparta homogéneamente los tornillos por el listón. Para terminar el panel, coloque un tope. Con ayuda de una sierra para metal, corte el excedente de listón manteniendo la distancia de 20 mm respecto al eje. Fije el listón con dos tornillos (4x40), repartidos homogéneamente.

No perforo previamente las tablas.

FR AJUSTEMENT ET FIXATIONS DES BAGUETTES : Présentez la baguette de liner en prenant soin de la positionner à 20 mm de l'axe. Percez la baguette avec une mèche de Ø 4 mm en commençant à 50 mm du bord. Vissez la baguette en affleurant le bord du madrier supérieur à l'aide de 5 vis (4x40). Répartissez équitablement les vis sur la baguette. Présentez une seconde baguette pour finir le pan. A l'aide de la scie à métaux coupez le surplus de baguette en conservant la distance de 20 mm par rapport à l'axe. Fixer la baguette avec 2 vis (4x40), également réparties.

Ne pas pré-percer les madriers.

DE POSITIONIERUNG DER EINHAKPROFILE DES LINERS: Präsentieren Sie die Leiste des Liners und achten Sie darauf, sie 20 mm von der Achse zu platzieren. Durchbohren Sie die Leiste mit einem kleinen Bohrer mit Ø 4 mm, indem Sie 50 mm vom Rand entfernt beginnen. Schrauben Sie die Leiste auf der Höhe der Kante des oberen Bretts mittels der 5 Schrauben (4x40) fest.

Verteilen Sie die Schrauben gleichmäßig auf der Leiste. Um das Paneel zu beenden, platzieren Sie einen Puffer. Mit Hilfe einer Metallsäge schneiden Sie ab, was an der Leiste übersteht, unter Einhaltung eines Abstands von 20 mm in Bezug auf die Achse. Befestigen Sie die Leiste mit zwei Schrauben (4x40), die Sie gleichmäßig verteilen.

Durchbohren Sie die Bretter nicht vorab.

IT REGOLAZIONE E FISSAGGIO DEI PROFILI: Posizionare il listello del liner a 20mm dall'asse. Perforare il listello con una punta da Ø 4 mm iniziando a 50 mm dal bordo. Avvitare il listello a livello del bordo della tavola superiore utilizzando le 5 viti (4x40).

Distribuire uniformemente le viti sul listello. Per terminare il pannello posizionare un fermo. Utilizzando una sega per metallo tagliare la parte eccedente del listello mantenendo la distanza di 20 mm rispetto all'asse. Fissare il listello con due viti (4x40) suddivise omogeneamente.

Non perforare le tavole in precedenza.

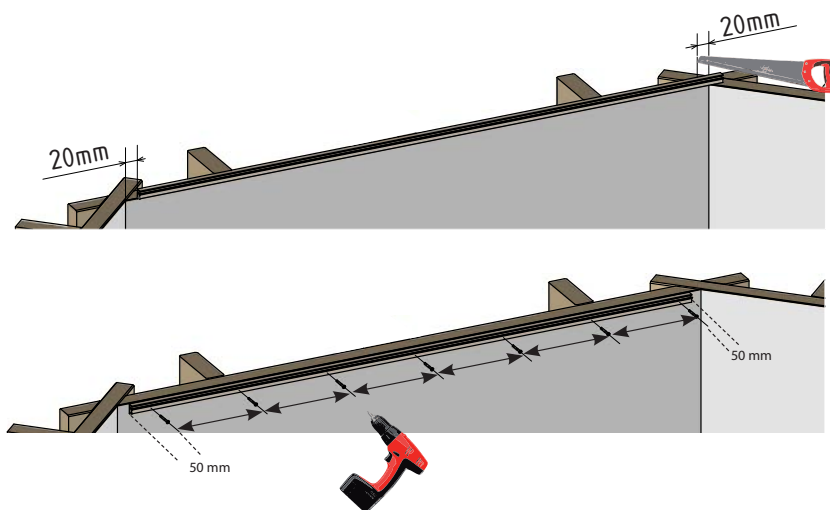
NL AANPASSEN EN VASTZETTEN VAN DE KLEMPROFIELEN: Breng het klemprofiel voor de liner aan en plaats hem op 20 mm vanaf de hoek-as. Boor gaten in het klemprofiel met een boor van Ø 4 mm begin op 50 mm vanaf de rand. Het klemprofiel gelijklopend aan de bovenste plankrand vastzetten met 5 schroeven(4x40). Verdeel de schroeven gelijkmatig over het klemprofiel. Plaats een eindstuk om het paneel af te werken. Met behulp van een ijzerzaag, het overschot van het klemprofiel afzagen zodat u een afstand van 20 mm ten opzichte van de hoek-as overhoudt. Het klemprofiel vastzetten met 4 schroeven (4x40) die u gelijkmatig verdeelt.

Bor van te voren gaten in de planken.

PT AJUSTAMENTO E FIXAÇÃO DOS PERFIS: Situe a ripa do liner tentando colocá-la a 20 mm do eixo. Fure a ripa com uma mecha de Ø 4 mm começando a 50 mm do bordo. Aparafuse a ripa no nível do bordo da tábuia superior por meio dos 5 parafusos (4x40).

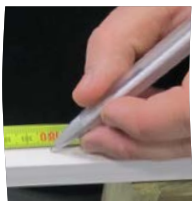
Distribua homogeneamente os parafusos pela ripa. Para terminar o painel, coloque uma trava. Com a ajuda de uma serra para metal, corte o excedente da ripa mantendo a distância de 20 mm relativamente ao eixo. Fixe a ripa com dois parafusos (4x40), distribuídos homogeneamente.

Naõ fure previamente as tábuas.



2

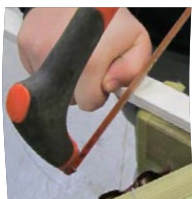
- Follow the same steps for the rest of short panels.
- Proceda de la misma forma en el resto de paneles.
- Procédez de la même manière pour les autres pans courts.
- Verfahren Sie bei den restlichen kurzen Paneelen genauso.
- Procedere nello stesso modo con gli altri pannelli corti.
- Ga op dezelfde manier verder met de overige korte panelen.
- Proceda da mesma forma no resto dos painéis curtos.



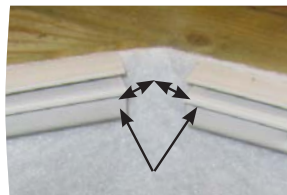
Take the measurement • Tome la medida • Prise de mesure • Nehmen Sie Maß • Prendere la misura • Neem de maat • Tome a medida



Installation of the profiles in the same panel • Colocación de los listones en un mismo panel • Positionnement des baguettes sur un même pan • Positionierung der Leisten an demselben Paneel • Posizionamento dei profili su uno stesso pannello • Plaatsing van de Klemprofielen in een enkel paneel • Colocação dos perfis num mesmo painel



and cut the liner profile • y corte el perfil del liner • et découpe de la baguette de liner • und schneiden Sie das Profil des Liners ab • e tagliare il profilo del liner • en zaag het klemprofiel van de liner op maat • e corte o perfil do liner

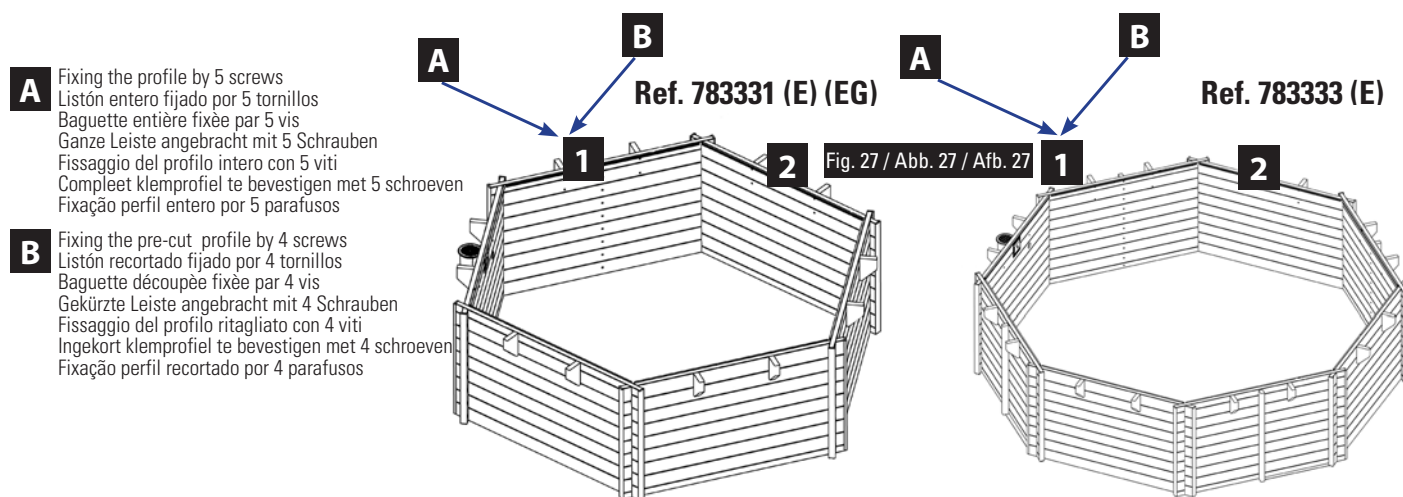


Ends of the profiles at 20 mm from the axis • Extremos de los listones a 20 mm del eje • Extrémités des baguettes à 20 mm de l'axe • Enden der Profile 20 mm von der Achse • Le estremità dei profili a 20 mm dall'asse • Uiteinden van de klemprofielen op 20 mm van de hoek-as • Extremos dos perfis a 20 mm do eixo



Fixing the liner profile • Fijación del perfil del liner • Fixation de la baguette de liner • Befestigung des Profils des Liners • Fissaggio del profilo del liner • Bevestiging van het klemprofiel van de liner • Fixação do perfil do liner

INSTALLATION OF THE LINER HOOKING PROFILE
 COLOCACIÓN DE LOS PERFILES DE ENGANCHE DEL LINER
 POSITIONNEMENT DES BAGUETTES D'ACCROCHE DE LINER
 POSITIONIERUNG DER EINHAKEPROFILE DES LINERS
 POSIZIONAMENTO DEI PROFILI DI AGGANCIO DEL LINER
 PLAATSING VAN DE KLEMPROFIELEN VOOR INHANGEN VAN DE LINER
 COLOÇÃO DOS PERFIS DE ENGATE DO LINER



A Fixing the profile by 5 screws
 Listón entero fijado por 5 tornillos
 Baguette entière fixée par 5 vis
 Ganze Leiste angebracht mit 5 Schrauben
 Fissaggio del profilo intero con 5 viti
 Compleet klemprofiel te bevestigen met 5 schroeven
 Fixação perfil entero por 5 parafusos

B Fixing the pre-cut profile by 4 screws
 Listón recortado fijado por 4 tornillos
 Baguette découpée fixée par 4 vis
 Gekürzte Leiste angebracht mit 4 Schrauben
 Fissaggio del profilo ritagliato con 4 viti
 Ingekort klemprofiel te bevestigen met 4 schroeven
 Fixação perfil recortado por 4 parafusos

1 Ref. 783331 (E) (EG)

EN ADJUSTMENT AND FIXING OF THE PROFILES: Position the profile trying to place it at 20 mm from the axis. Using a hacksaw for metal, cut off the excess profile maintaining the distance of 20 mm from the axis. Drill the profile with a 4mm bit for metal starting at 50 mm from the edge. Fix the profile at the level of the edge of the top board using two screws (4 x 40). Uniformly distribute the screws along the profile.

Do not previously drill the boards.

ES AJUSTE Y FIJACIÓN DE LOS LISTONES: Presente el listón del liner procurando colocarlo a 20 mm del eje. Con ayuda de una sierra para metal, corte el excedente de listón manteniendo la distancia de 20 mm respecto al eje. Perfore el listón con una mecha de \varnothing 4 mm empezando a 50 mm del borde. Atornille el listón al nivel del borde de la tabla superior mediante los tornillos (4x40). Reparta homogéneamente los tornillos por el listón.

No perforo previamente las tablas.

FR AJUSTEMENT ET FIXATIONS DES BAGUETTES : Présentez la baguette du liner en la plaçant à 20 mm de l'axe. À l'aide d'une scie pour métal, coupez l'excédent de la baguette en maintenant la distance de 20 mm par rapport à l'axe. Perforez la baguette avec une mèche de \varnothing 4 mm en commençant à 50 mm du bord. Vissez la baguette au niveau du bord de la planche supérieure avec les vis (4x40). Distribuez les vis sur la baguette de façon homogène.

Ne pas prépercer les madriers.

DE POSITIONIERUNG DER EINHAKEPROFILE DES LINERS: Die vorhandene Linienleiste wird 20 mm von der Achse angebracht. Mit der Hilfe einer Metallsäge wird der überragende Teil der Leiste abgesägt, damit die Distanz von 20 mm von der Achse beibehalten wird. Geben Sie durch die Latte einen Docht mit einem Durchmesser von 4 mm, beginnend bei 50 mm vom Rand. Schrauben Sie die Latte auf der Ebene des Randes der oberen Platte mit den Schrauben (4x40) an. Verteilen Sie die Schrauben gleichmässig auf der Latte.

Durchbohren Sie die Bretter nicht vorab.

IT REGOLAZIONE E FISSAGGIO DEI PROFILI: Posizionare il profilo del liner collocandolo a 20 mm dall'asse. Con l'aiuto di una sega per il metallo, tagliare la parte in eccesso del profilo mantenendo una distanza di 20 mm rispetto all'asse. Perforare il profilo con una punta da \varnothing 4x40 iniziando da 50 mm dal bordo. Avvitare il profilo al livello del bordo della tavola superiore tramite le viti (4x40). Suddividere omogeneamente le viti per la lunghezza del profilo.

Non perforare le tavole in precedenza.

NL AANPASSEN EN VASTZETTEN VAN DE KLEMPROFIELEN: Breng het klemprofiel van de liner aan en plaats hem op 20 mm van de hoek-as. Met behulp van een ijzerzaag, het overschot van het klemprofiel afzagen zodat u een afstand van 20 mm ten opzichte van de hoek-as overhoudt. Boor gaten in het klemprofiel met een boor van \varnothing 4 mm en begin op 50 mm van de rand. Het klemprofiel gelijklopend aan de bovenste plankrand vastzetten met schroeven (4x40). Verdeel de schroeven gelijkmatig over het klemprofiel.

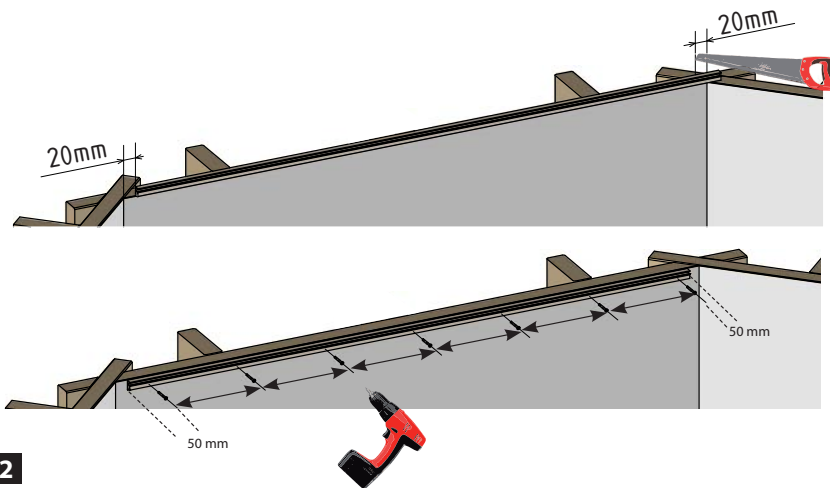
Boor van te voren gaten in de planken.

PT AJUSTAMENTO E FIXAÇÃO DOS PERFIS: Situe a ripa do liner tentando colocá-la a 20 mm do eixo. Com a ajuda de uma serra para metal, corte o excedente da ripa mantendo a distância de 20 mm relativamente ao eixo. Perfure a ripa com uma mecha de \varnothing 4 mm a começar a 50 mm do bordo. Aparafuse a ripa no nível do bordo da tábuca superior com os parafusos (4x40). Distribua de forma homogénea os parafusos na ripa.

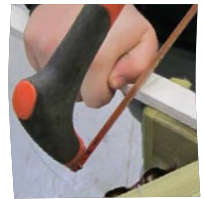
Não fure previamente as tábuas.

1 Ref. 783333 (E)

- EN ADJUSTMENT AND FIXING OF THE PROFILES:** Position the profile trying to place it at 20 mm from the axis. Drill the profile with a 4mm bit for metal starting at 50 mm from the edge. Fix the profile at the level of the edge of the top board using two screws (4 x 40). Uniformly distribute the screws along the profile. Position a second profile to finish the panel. Using a hacksaw for metal, cut off the excess profile maintaining the distance of 20 mm from the axis. Fix the profile at the level of the edge of the top board using two screws (4x40), uniformly distribute the screws along the profile.
- ES AJUSTE Y FIJACIÓN DE LOS LISTONES:** Presente el listón del liner procurando colocarlo a 20 mm del eje. Perfore el listón con una mecha de \varnothing 4 mm empezando a 50 mm del borde. Atornille el listón al nivel del borde de la tabla superior mediante los 5 tornillos (4x40). Reparta homogéneamente los tornillos por el listón. Presentar un segundo perfil para terminar el panel. Con ayuda de una sierra para metal, corte el excedente de listón manteniendo la distancia de 20 mm respecto al eje. Fijar el perfil con 4 tornillos (4x40), uniformemente distribuidos.
- FR AJUSTEMENT ET FIXATIONS DES BAGUETTES :** Présentez la baguette du liner en la plaçant à 20 mm de l'axe. Perforez la baguette avec une mèche de \varnothing 4 mm en commençant à 50 mm du bord. Vissez la baguette au niveau du bord du la planche supérieure avec les 5 vis fournies (4x40). Distribuez les vis sur la baguette de façon homogène. Présentez un deuxième profil pour terminer le panneau. À l'aide d'une scie pour métal, coupez l'excédent de la baguette en maintenant la distance de 20 mm par rapport à l'axe. Fixez le profil avec 4 vis (4x40), uniformément distribuées.
- DE POSITIONIERUNG DER EINHAKEPROFILE DES LINERS:** Die vorhandene Linienleiste wird 20 mm von der Achse angebracht. Geben Sie durch die Latte einen Docht mit einem Durchmesser von 4 mm, beginnend bei 50 mm vom Rand. Schrauben Sie die Latte auf der Ebene des Randes der oberen Platte mit den Schrauben (4x40) an. Verteilen Sie die Schrauben gleichmässig auf der Latte. Nehmen Sie das zweite Profil, um das Panel abzuschliessen. Mit der Hilfe einer Metallsäge wird der überragende Teil der Leiste abgesägt, damit die Distanz von 20 mm von der Achse beibehalten wird. Befestigen Sie das Profil mit 4 Schrauben (4x40), die gleichmässig auf der Latte verteilt werden.
- IT REGOLAZIONE E FISSAGGIO DEI PROFILI:** Posizionare il profilo del liner collocandolo a 20 mm dall'asse. Perforare il profilo con una punta da \varnothing 4 mm iniziando da 50 mm dal bordo. Avvitare il profilo al livello del bordo della tavola superiore tramite le 5 viti (4x40). Suddividere omogeneamente le viti per la lunghezza del profilo. Posizionare un secondo profilo per completare il pannello. Con l'aiuto di una sega per il metallo, tagliare la parte in eccesso del profilo mantenendo una distanza di 20 mm rispetto all'asse. Fissare il profilo con 4 viti (4x40), uniformemente distribuite.
- NL AANPASSEN EN VASTZETTEN VAN DE KLEMPROFIELEN:** Breng het klemprofiel van de liner op zijn plek om het te kunnen plaatsen op 20 mm vanaf de hoek-as. Perforeer het klemprofiel met een boor van \varnothing 4 mm en begin op 50 mm vanaf de rand. Het klemprofiel gelijklopend aan de bovenste plankrand vastzetten met de 5 schroeven (4x40). Verdeel de schroeven gelijkmatig over het klemprofiel. Breng een tweede klemprofiel op zijn plek om het paneel af te maken. Met behulp van een metaalzaag overtollige stukken klemprofiel afzagen en houd de afstand aan van 20 mm ten opzichte van de hoek-as. Het klemprofiel vastzetten met 4 schroeven (4x40), die gelijkmatig worden verdeeld.
- PT AJUSTAMENTO E FIXAÇÃO DOS PERFIS:** Situe a ripa do liner tentando colocá-la a 20 mm do eixo. Perfure a ripa com uma mecha de \varnothing 4 mm a começar a 50 mm do bordo. Aparafuse a ripa no nível do bordo da tábua superior com os 5 parafusos (4x40). Distribua de forma homogénea os parafusos na ripa. Colocar um segundo perfil para terminar o painel. Com a ajuda de uma serra para metal, corte o excedente da ripa mantendo a distância de 20 mm relativamente ao eixo. Fixar o perfil com 4 parafusos (4x40), distribuídos uniformemente.



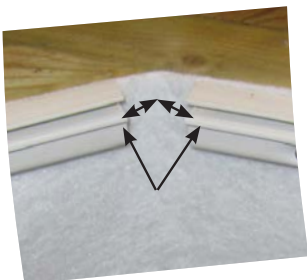
Take the measurement
• Tome la medida • Prise de mesure • Nehmen Sie Maß • Prendere la misura • Neem de maat • Tome a medida



and cut the liner profile • y corte el perfil del liner • et découpe de la baguette de liner • und schneiden Sie das Profil des Liners ab • e tagliare il profilo del liner • en zaag het klemprofiel van de liner op maat • e corte o perfil do liner

2

- Follow the same steps for the rest of short panels.
- Proceda de la misma forma en el resto de paneles.
- Procédez de la même manière pour les autres pans courts.
- Verfahren Sie bei den restlichen kurzen Paneelen genauso.
- Procedere nello stesso modo con gli altri pannelli corti.
- Ga op dezelfde manier verder met de overige korte panelen.
- Proceda da mesma forma no resto dos painéis curtos.



Ends of the profiles at 20 mm from the axis • Extremos de los listones a 20 mm del eje • Extrémités des baguettes à 20 mm de l'axe • Enden der Profile 20 mm von der Achse • Le estremità dei profili a 20 mm dall'asse • Uiteinden van de klemprofielen op 20 mm van de hoek-as • Extremos dos perfis a 20 mm do eixo



Installation of the profiles in the same panel • Colocación de los listones en un mismo panel • Positionnement des baguettes sur un même pan • Positionierung der Leisten an demselben Paneel • Posizionamento dei profili su uno stesso pannello • Plaatsing van de Klemprofielen in een enkel paneel • Colocação dos perfis num mesmo painel



Fixing the liner profile • Fijación del perfil del liner • Fixation de la baguette de liner • Befestigung des Profils des Liners • Fissaggio del profilo del liner • Bevestiging van het klemprofiel van de liner • Fixação do perfil do liner

EN

PREVIOUS CHECK BEFORE INSTALLING THE LINER

ES

CONTROL PREVIO A LA COLOCACIÓN DEL LINER

FR

CONTRÔLES AVANT LA POSE DU LINER

DE

KONTROLLE VOR DER POSITIONIERUNG DES LINERS

IT

CONTROLLO PRECEDENTE AL POSIZIONAMENTO DEL LINER

NL

CONTROLEER VOORAFGAAND AAN DE PLAATSING VAN DE LINER

PT

CONTROLO PRÉVIO À COLOCAÇÃO DO LINER

EN

- Clean the inside structure of the pool (grains of sand, screws...) use a vacuum cleaner if necessary.
- Check that the skimmer seal is in its place.
- Position the trap door inside the skimmer.
- Check that there are no screw heads protruding above the surface of the wood.

ES

- Limpie la estructura interior de la piscina (granos de arena, tornillos...) con un aspirador si es necesario.
- Compruebe que la junta del skimmer está en su lugar.
- Coloque la trampilla en el interior del skimmer.
- Compruebe que no ninguna cabeza de tornillo sobresale de la madera.

FR

- Nettoyez l'ensemble intérieur de la piscine (grains de sable, vis ...) avec un aspirateur, si nécessaire.
- Vérifiez que le joint sur le skimmer est en place.
- Placez la trappe à l'intérieur du skimmer.
- Vérifiez qu'aucune tête de vis ne ressorte du bois.

DE

- Säubern Sie das innere Tragwerk des Pools (Sandkörner, Schrauben...) falls erforderlich mit einem Staubsauger.
- Stellen Sie sicher, dass die Dichtung des Skimmers an ihrem Platz ist.
- Platzieren Sie die Klappe innerhalb des Skimmers.
- Stellen Sie sicher, dass kein Schraubenkopf aus dem Holz ragt.

IT

- Pulire la struttura interna della piscina (granelli di polvere, viti...) con un aspiratore se necessario.
- Verificare che il giunto dello skimmer sia al suo posto.
- Sistemare lo sportello all'interno dello skimmer
- Assicurarci che non vi sia nessuna testa di qualche vite che spunti dal legno.

NL

- Maak de binnenkant van de zwembadstructuur schoon (zandkorrels, schroeven...) met een stofzuiger indien nodig.
- Controleer of de junta van de skimmer op zijn plek zit.
- Plaats de afsluiter aan de binnenzijde van de skimmer.
- Controleer of er geen enkele schroefkop uitsteekt vanuit het hout.

PT

- Limpe a estrutura interior da piscina (grãos de areia, parafusos...) com um aspirador se for necessário.
- Verifique que a junta do skimmer está no seu lugar.
- Coloque a válvula no interior do skimmer.
- Verifique que nenhuma cabeça de parafuso sobressai da madeira.

EN

INSTALLATION OF THE LINER

ES

COLOCACIÓN DEL LINER

FR

MISE EN PLACE DU LINER

DE

POSITIONIERUNG DES LINERS

IT

POSIZIONAMENTO DEL LINER

NL

PLAATSING VAN DE LINER

PT

COLOCAÇÃO DO LINER

- EN** The liner should have been at least 24 hours at a room temperature of at least 20 °C before being installed. The dimension of the liner are a few centimetres shorter than the inside dimensions of the pool, so the liner is tensely installed. The liner should be installed at an external temperature of at least 15 °C. **We extremely recommend putting the liner in the sun a few hours before assembly, so it is flexible and easy to install. The sticker with the serial number of the liner should be kept for future reference. This number will be required for any eventual reclamation against the guarantee.**

INSTALLATION

To do this, you should take off your shoes to not damage the liner.

A Enter the pool, without wearing shoes.

B Place the liner in the centre of the pool (figure 28) and unfold it starting from there (figure 29) Uniformly distribute the space between the dimensions of the liner and those the structure all round.

C Correctly align the lower angles of the liner (angles of the floor closures) with the corners of the pool (figure 30).

D Insert the hooking profile of the liner into the profile (figure 31).

- ⚠** The liner should have been at least 24 hours at a room temperature of at least 20°C before being installed. The liner should be installed at an external temperature of at least 15°C.

- ES** El liner deberá haber pasado al menos 24 horas a una temperatura ambiente de 20 °C como mínimo antes de su colocación. Las dimensiones del liner son unos centímetros más cortas que las medidas interiores del vaso, para lograr una instalación tensa del liner. Es imprescindible que la colocación del liner se efectúe a una temperatura exterior de 15 °C como mínimo. **Es altamente recomendable exponer el liner al sol unas horas antes de su montaje, de manera que se flexibilice para facilitar su colocación. Es obligatorio guardar la pegatina con el número de serie presente en el liner. Para cualquier solicitud eventual de asunción de garantía, se exigirá este número de serie.**

INSTALACIÓN

Para realizar este paso es necesario que se descalce, para no dañar el liner.

A Entre en el interior de la piscina, ya descalzo.

B Coloque el liner en el centro de la piscina (figura 28) y despléguelo partiendo de ahí (figura 29). Reparta homogéneamente la holgura entre las medidas del liner y las de la estructura por toda la extensión.

C Alinee correctamente los ángulos inferiores del liner (ángulos de los cierres del fondo) con las esquinas del vaso (figura 30).

D Inserte el perfil de enganche del liner en el listón (figura 31).

- ⚠** El liner deberá haber pasado al menos 24 horas a una temperatura ambiente de 20°C como mínimo antes de su colocación. Es imprescindible que la colocación del liner se efectúe a una temperatura exterior de 15°C como mínimo.

- FR** Votre liner devra avoir séjourné au minimum 24 heures à une température ambiante d'au moins 20°C avant sa mise en place. Les dimensions du liner sont plus courtes de quelques centimètres que les dimensions intérieures du bassin afin d'obtenir une pose tendue du liner. La pose de votre liner doit être effectuée impérativement à une température extérieure de 15°C minimum. **Il est vivement conseillée d'exposer le liner au soleil quelques heures avant son montage de manière à l'assouplir et ainsi faciliter sa mise en place. Conserver impérativement l'étiquette autocollante du numéro de série présente sur le liner. Pour toute demande éventuelle de prise en garantie ce numéro de série vous sera demandé.**

MISE EN PLACE

Cette étape nécessite de se déchausser pour ne pas abîmer le liner.

A Placez-vous à l'intérieur de la piscine, en vous déchaussant au préalable.

B Placez le liner au centre de la piscine (figure 28) et le déplier à partir de ce centre (figure 29). Répartissez de façon égale le jeu existant entre la dimension du liner et la dimension de la structure sur tout le pourtour.

C Alignez correctement les angles inférieurs du liner (angles des soudures du fond) dans les angles du bassin (figure 30).

D Insérez le profil d'accrochage du liner dans la baguette (figure 31).

- ⚠** Votre liner devra avoir séjourné au minimum 24 heures à une température ambiante d'au moins 20°C avant sa mise en place. La pose de votre liner doit être effectuée impérativement à une température extérieure de 15°C minimum.

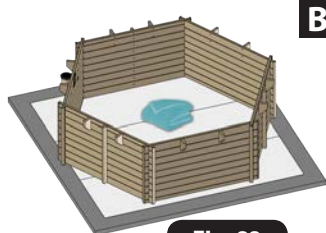


Fig. 28



Fig. 29

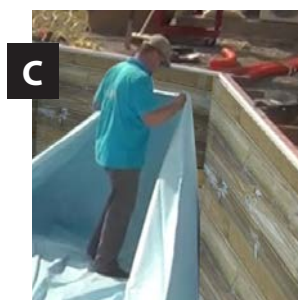


Fig. 30

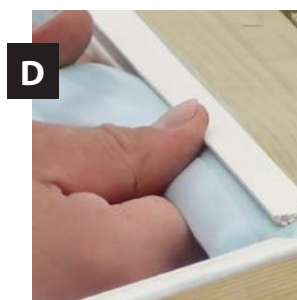


Fig. 31

- DE** Vor der Positionierung muss der Liner mindestens 24 Stunden bei einer Umgebungstemperatur von mindestens 20 °C verbracht haben. Die Maße des Liners sind einige Zentimeter kürzer als die Innenmaße des Beckens, um sicherzustellen, dass der Liner gespannt angebracht wird. Die Positionierung des Liners muss bei einer Außentemperatur von mindestens 15 °C erfolgen. **Er wird dringend empfohlen, den Liner einige Stunden vor dem Einbau der Sonne auszusetzen, damit er für eine einfache Positionierung flexibel wird. Sie müssen den Aufkleber mit der auf dem Liner angegebenen Seriennummer aufbewahren. Für mögliche Anträge auf Übernahme der Garantie wird die Seriennummer verlangt.**

MONTAGE

Für diesen Schritt müssen Sie die Schuhe ausziehen, um den Liner nicht zu beschädigen.

A Betreten Sie das Innere des Pools bereits barfuß.

B Platzieren Sie den Liner in der Mitte des Pools (Abb. 28) und entfalten Sie ihn von dort aus (Abb. 29). Verteilen Sie das Spiel zwischen den Maßen des Liners und denen des Tragwerks gleichmäßig auf dem ganzen Umriss.

C Richten Sie die unteren Ecken des Liners korrekt (Ecken der Verschlüsse am Boden) an den Ecken des Beckens aus (Abb. 30).

D Setzen Sie das Ankopplungsprofil des Liners in die Leiste ein (Abb. 31).

- ⚠** Vor der Positionierung muss der Liner mindestens 24 Stunden bei einer Umgebungstemperatur von mindestens 20 °C verbracht haben. Der Liner muss bei einer Außentemperatur von mindestens 15 °C platziert werden.

- IT** Prima del suo posizionamento, il liner deve passare almeno 24 ore a una temperatura ambiente di 20 °C. Le dimensioni del liner sono qualche centimetro inferiori a quelle dell'interno della vasca, affinché il liner una volta posizionato sia teso. È necessario che il posizionamento del liner si effettui a una temperatura esterna di almeno 15 °C. **Si consiglia caldamente di esporre il liner al sole alcune ore prima del montaggio, così da renderlo flessibile e facilitarne il posizionamento. È obbligatorio conservare l'adesivo con il numero di serie presente nel liner. Per qualsiasi eventuale domanda di assunzione di garanzia, sarà richiesto di mostrare questo numero di serie.**

INSTALLAZIONE

Per realizzare questo passaggio, è necessario togliersi le scarpe per non danneggiare il liner.

A Entrare all'interno della piscina già scalzi.

B Porre il liner al centro della piscina (figura 28) e spiegarlo partendo da lì (figura 29). Suddividere omogeneamente il gioco tra le misure del liner e quelle della struttura per tutta l'estensione.

C Allineare correttamente gli inferiori del liner (angoli dei blocchi del fondo) con gli angoli della vasca (figura 30).

D Inserire il profilo del dispositivo di aggancio del liner nel listello (figura 31).

- ⚠** Prima del suo posizionamento, il liner deve passare almeno 24 ore a una temperatura ambiente di 20°C. È necessario che il posizionamento del liner si effettui a una temperatura esterna di almeno 15°C.

- NL** De liner moet tenminste 24 uur hebben doorgebracht bij een omgevingstemperatuur van minimaal 20 °C voordat hij geplaatst kan worden. De afmetingen van de liner is enkele centimeters korter dan de interne maten van het bassin, zodat er een strakgespannen installatie van de liner kan worden verkregen.

Het is van het grootste belang dat de plaatsing van de liner wordt uitgevoerd bij een buitentemperatuur van minstens 15 °C. Het is ten zeerste aanbevolen om de liner enkele uren aan de zon bloot te stellen voordat hij wordt gemonteerd. Op die manier wordt hij buigzamer en daardoor is het plaatsen makkelijker. Het is verplicht om de sticker met het serienummer te bewaren dat u op de liner aantreft. Voor ieder eventueel verzoek voor aanspraak op de garantie, wordt dit serienummer verlangd.

INSTALLATIE

Om deze stap uit te voeren, is het van belang dat u uw schoenen uittrekt, opdat de liner niet beschadigd.

A Betreed de binnenkant van het zwembad, reeds ontdaan van schoeisel.

B Plaats de liner in het midden van het zwembad (afbeelding 28) en ontvouw hem vanuit hier (afbeelding 29). Leg het geheel van de liner uit over de gehele omtrek gelijkmatig uit ten opzichte van de zwembadstructuur.

C Lijn de onderste hoeken (hoeken van de onderste lasnaden) correct uit met de hoeken van het bassin (afbeelding 30).

D Steek het inhangprofiel van de liner in het klemprofiel (afbeelding 31).

- ⚠** De liner moet tenmiste 24 uur hebben doorgebracht bij een omgevingstemperatuur van minimaal 20°C voordat hij geplaatst kan worden. Het is van het grootste belang dat de plaatsing van de liner wordt unigeeverd bij een buitentemperatuur van minstens 15°C.

- PT** O liner deverá ter passado pelo menos 24 horas a uma temperatura ambiente de 20° C no mínimo antes da sua colocação. As dimensões do liner são uns centímetros mais curtas do que as medidas interiores do tanque, para obter uma instalação tensa do liner. É imprescindível que a colocação do liner se efetue a uma temperatura exterior de 15° C no mínimo. **É altamente recomendável expor o liner ao sol durante umas horas antes da sua montagem, de maneira que se flexibilize para facilitar a sua colocação. É obrigatório guardar o autocolante com o número de série presente no liner. Para qualquer eventual pedido de concessão de garantia, este número de série será exigido.**

INSTALAÇÃO

Para realizar este passo, é necessário que se descalce, a fim de não danificar o liner.

A Entre em el interior de la piscina, ya descalzo.

B Coloque o liner no centro da piscina (figura 28) e desdobre-o partindo daí (figura 29). Distribua homogeneamente a folga entre as dimensões do liner e as da estrutura em todo o espaço.

C Alinhe corretamente os ângulos inferiores do liner (ângulos dos fechos do fundo) com os cantos do tanque (figura 30).

D Insira o perfil de engate do liner no perfil (figura 31).

- ⚠** O liner deverá ter passado pelo menos 24 horas a uma temperatura ambiente de 20° C no mínimo antes da sua colocação. É imprescindível que a colocação do liner seja efetuada a uma temperatura exterior de 15° C no mínimo.

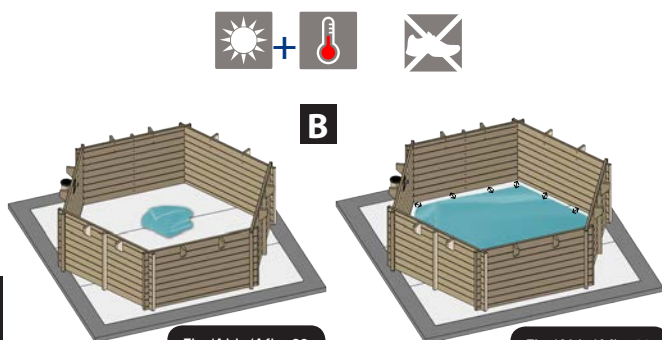


Fig./Abb./Afb. 28

Fig./Abb./Afb. 29

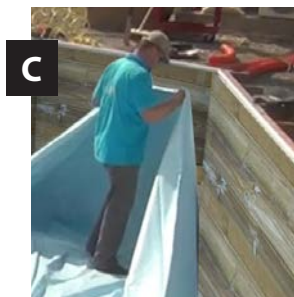


Fig./Abb./Afb. 30



Fig./Abb./Afb. 31

EN **E** To move the already installed liner, slide it along the profile. If this is difficult the liner can be removed by lifting it not to damage it. Make sure that the liner is well positioned both on the floor as on the walls, uniformly adjust the tension of the same (with your foot, push the liner by its angles towards the corners of the walls) (figure 32).
F Fit the pool with about two centimetres of water (figure 33). To facilitate installing the liner, this water should be very cold.
G Flatten the bottom of the liner to avoid folds starting from the centre towards the edges. Continue filling the pool. If there are still folds, correct the tension of the liner at the walls by sliding it along the hooking profile. (Oblique folds in the wall indicate incorrect positioning) (figure 34).

⚠ The angles of the liner should necessarily correspond to the corners of the pool structure.

Once the liner is installed, continue filling the pool up to 10 cm below the refilling fitting with key.

👉 Some weeks after filling the pool, the liner will show a different colour between the submerged part and that in the air. This decolouration is normal and does not risk the sturdiness and/or characteristics of the liner. To avoid that a dark mark appears due to atmospheric contamination between the submerged part and the part of the liner in the air, (called water line), we recommend regularly cleaning the liner in this area with a specific cleaner.

ES **E** Para mover el liner ya colocado, deslízelo por el listón. Si resulta muy difícil, se puede retirar el liner levantándolo para no dañar el empalme. Cerciórese de que el liner está bien posicionado tanto en el fondo como en las paredes, ajuste uniformemente la tensión del mismo (con la punta del pie, empuje el liner por sus ángulos hacia las esquinas de las paredes) (figura 32).

F Rellene la piscina de agua unos 2 centímetros (figura 33). Para facilitar la colocación del liner, es preferible que el agua no esté muy fría.

G Alise el fondo del liner para evitar pliegues empezando desde el centro hacia los extremos. Continúe llenando la piscina. Si continúa habiendo pliegues, corrija la tensión del liner en las paredes deslizando por el perfil de enganche. (Los pliegues oblicuos en la pared indican un posicionamiento incorrecto.) (figura 34).

⚠ Resulta imprescindible que los ángulos del liner correspondan con las esquinas de la estructura del vaso.

Una vez colocado el liner, continúe llenando la piscina hasta 10 cm bajo la boquilla de impulsión.

👉 Unas semanas después del llenado, el liner presentará un color diferente entre la parte sumergida y la que está al aire. Esta decoloración es normal y no pone en riesgo la solidez y/o las características del liner. Para evitar que aparezca una marca oscura debida a la contaminación atmosférica entre la parte sumergida y la parte al aire libre del liner (denominada línea de agua), le recomendamos limpiar regularmente el liner en esta zona con un limpiador específico.

FR **E** Pour déplacer le liner déjà en place, faites-le glisser dans la baguette. Si cela devient trop difficile, le liner peut se retirer en le relevant vers le haut pour ne pas abîmer le lien. Assurez-vous du bon positionnement du liner tant au fond que sur les parois, ajustez uniformément la tension de celui-ci (du bout du pied, on pousse le liner dans ses angles vers les angles des parois) (figure 32).

F Remplissez la piscine d'eau sur une hauteur de 2 cm (figure 33). Pour faciliter le positionnement du liner, il est préférable que l'eau ne soit pas trop froide.

G Lissez le fond du liner pour éviter les plis en partant du centre vers les extrémités. Continuez à remplir le bassin. S'il reste des plis, corrigez la tension du liner sur les parois en le glissant dans la baguette d'accrochage. (un pli en biais sur la paroi indique un mauvais positionnement) (figure 34).

⚠ Il est impératif de faire correspondre les angles du liner avec les angles de la structure du bassin.

Une fois le liner mis en place, continuez à remplir la piscine jusqu'à 10 cm sous la buse de refoulement.

👉 Après quelques semaines de mise en eau votre liner présentera une différence de couleur entre la partie immergée et la partie à l'air libre. Cette décoloration est normale et ne remet pas en cause la solidité et/ou les caractéristiques de votre liner. Afin de limiter l'apparition d'une démarcation sombre, dû à la pollution atmosphérique, entre la partie immergée et la partie à l'air libre de votre liner (appelée ligne d'eau), nous vous recommandons de nettoyer régulièrement votre liner à ce niveau avec un nettoyeur spécifique.



Fig. 32

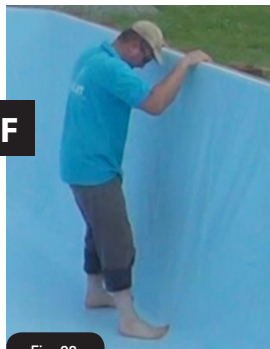


Fig. 33



Fig. 34



This transversal view shows the liner placed in the angle
 Esta vista transversal muestra el liner colocado en el ángulo
 Cette vue en coupe montre le liner en place dans la cornière



Tense the liner well at the corners
 Tense bien el liner en las esquinas
 Tendez bien le liner dans les angles

DE E Um den bereits positionierten Liner zu bewegen, lassen Sie ihn an der Leiste entlanggleiten. Sollte sich dies als sehr schwierig erweisen, so können Sie den Liner entfernen, indem Sie ihn anheben, um die Verknüpfung nicht zu beschädigen. Stellen Sie sicher, dass der Liner sowohl am Boden als auch an den Wänden gut positioniert ist, richten Sie die Spannung des Liners gleichmäßig ein (drücken Sie den Liner an den Ecken mit der Fußspitze Richtung Ecken der Wände) (Abb. 32).

F Füllen Sie den Pool etwa 2 Zentimeter hoch mit Wasser (Abb. 33). Um die Positionierung des Liners zu erleichtern, empfiehlt es sich, dass das Wasser nicht sehr kalt ist.

G Glätten Sie den Boden des Liners, um Falten zu vermeiden, indem Sie von der Mitte aus Richtung Ecken beginnen. Füllen Sie den Pool weiter. Sollte es weiterhin Falten geben, korrigieren Sie die Spannung des Liners an den Wänden, indem Sie ihn an der Ankopplungsleiste entlangschieben. (Schräge Falten an der Wand weisen auf eine falsche Positionierung hin) (Abb. 34).

⚠ Es ist wichtig, dass die Ecken des Liners den Ecken des Tragwerks des Beckens entsprechen.

Einige Wochen nach der Befüllung wird der Liner in dem unter Wasser liegenden Bereich eine andere Farbe aufweisen als der Liner, der an der Luft ist. Diese

👉 Verfärbung ist normal und gefährdet die Festigkeit und/oder Eigenschaften des Liners nicht. Um zu vermeiden, dass durch die Luftverschmutzung eine dunkle Markierung zwischen dem Teil unter Wasser und dem Teil außerhalb des Wassers erscheint (die sogenannte Wasserlinie), empfehlen wir Ihnen, den Liner in diesem Bereich regelmäßig mit einem spezifischen Reinigungsmittel zu säubern.

IT E Per spostare il liner già posizionato, farlo scivolare tramite il listello. Se risultasse difficile, si può togliere il liner alzandolo per non danneggiare l'incollatura ai bordi. Assicurarsi che il liner sia ben posizionato non solo sul fondo ma anche sulle pareti, regolare uniformemente la tensione dello stesso (con la punta del piede, spingere il liner attraverso gli angoli fino agli angoli della parete) (figura 32).

F Riempire la piscina di un paio di centimetri (figura 33). Per facilitare il posizionamento del liner, è preferibile che l'acqua non sia molto fredda.

G Lisciare il fondo del liner per evitare le pieghe iniziando dal centro fino agli estremi. Proseguire il riempimento della piscina. Se continua a fare pieghe, regolare la tensione del liner sulle pareti facendo scorrere lungo il listello di aggancio. (Le pieghe oblique sulla parete indicano un posizionamento incorretto) (Figura 34).

⚠ È indispensabile che gli angoli del liner coincidano con quelli della struttura della vasca.

Una volta posizionato il liner, continuare a riempire la piscina fino a 10 cm al di sotto dell'ugello di mandata.

👉 Alcune settimane dopo il riempimento, il liner presenterà un colore diverso nella parte sommersa rispetto a quella a contatto con l'aria. Questa decolorazione è normale e non mette in pericolo la solidità e/o le caratteristiche del liner. Per evitare che si formi una macchia scura dovuta alla contaminazione atmosferica tra la parte del liner sommersa e quella a contatto con l'aria (denominata linea d'acqua), consigliamo di pulire regolarmente il liner in questa zona con un pulitore specifico.

NL E Om de al geplaatste liner te verplaatsen, schuift u hem door het klemprofiel. Indien dit moeilijk gaat, kunt u de liner iets terugschuiven waarbij u hem optilt zodat u de verdikte rand niet beschadigt. Verzeker u ervan dat de liner goed op zijn plaats zit, zowel op de bodem als op de wanden, waarbij de spanning ervan overal gelijk is (met de punt van de voet, kunt u de liner vanuit zijn hoeken in de hoeken van de wanden duwen) (afbeelding 32).

F Vul het zwembad met 2 centimeter water (afbeelding 33). Om de plaatsing van de liner te vergemakkelijken, gebruikt u bij voorkeur water dat niet echt koud is.

G Strijk de bodem van de liner glad om vouwen weg te halen en begin vanuit het midden naar de zijanten. Ga verder met het vullen het zwembad. Als u nog steeds vouwen heeft, corrigeer de spanning van de liner aan de wanden door hem door het klemprofiel te verschuiven. (Schuine vouwen op de wand geven een onjuiste plaatsing aan) (Afbeelding 34).

⚠ Het is van het grootste belang dat de hoeken van de liner overeenkomen met de hoeken van de vorm van het bassin.

Als de liner eenmaal is geplaatst, gaat u verder met het van het zwembad tot 10 cm onder het uitstroombandstuk.

👉 Enkele weken na het vullen, zal de liner een kleurverschil vertonen tussen het gedeelte onder water en het deel dat aan de lucht is. Deze verkleuring is normaal en levert geen enkel gevaar op voor de strekte en/of andere eigenschappen van de liner. Om te voorkomen dat u een donkere streep die ontstaat door luchtverontreiniging gaat zien op de scheiding van het liner-deel onder water en het deel in de open lucht (waterlijn genoemd), raden we u aan om de liner in dit gebied regelmatig te reinigen met een speciaal daarvoor bedoeld product.

PT E Para deslocar o liner já colocado, deslize-o pelo perfil. Se for muito difícil, o liner poderá ser retirado levantando-o para não danificar a união. Certifique-se de que o liner está bem posicionado tanto no fundo como nas paredes, ajuste uniformemente a tensão do mesmo (com a ponta do pé, empurre o liner pelos seus ângulos para os cantos das paredes) (figura 32).

F Encha a piscina de água até cerca de 2 centímetros (figura 33). Para facilitar a colocação do liner, é preferível que a água não esteja muito fria.

G Alise o fundo do liner para evitar as dobras começando a partir do centro para os extremos. Continue a encher a piscina. Se ainda houver dobras, deverá corrigir a tensão do liner nas paredes deslizando-o pelo perfil de engate. (As dobras oblíquas na parede indicam um posicionamento incorreto) (Figura 34).

⚠ É imprescindível que os ângulos do liner correspondam com os cantos da estrutura do tanque.

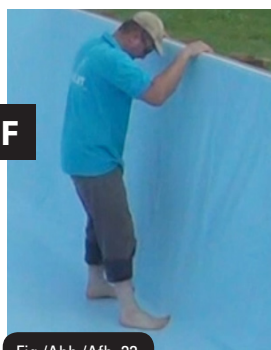
Após colocado o liner, continue a encher a piscina até 10 cm sob a boquilha de impulsão.

👉 Umas semanas depois do enchimento, o liner apresentará uma cor diferente entre a parte submersa e a que está ao ar. Esta decoloração é normal e não coloca em risco a solidez e/ou as características do liner. Para evitar que apareça uma marca escura devida à contaminação atmosférica entre a parte submersa e a parte ao ar livre do liner (denominada linha de água), recomendamos limpar regularmente o liner nesta zona com um limpador específico.



E

Fig./Abb./Afb. 32



F

Fig./Abb./Afb. 33



Diese Querschnittansicht zeigt den im Anschlusswinkel positionierten Liner
Questa vista trasversale mostra il liner posizionato nell'angolo
Deze zijaanblik toont de in een hoek geplaatste liner
Esta vista transversal mostra o liner colocado no ângulo



G

Fig./Abb./Afb. 34



Ziehen Sie den Liner in die Ecken gut fest
Tendere bene il liner negli angoli
Span de liner strak in de hoeken
Estique bem líner nos cantos

EN

LAND-FILLING

ES

TERRAPLENADO

FR

REMBLAIEMENT

DE

ANSCHÜTTUNG

IT

TERRAPIENO

NL

GROND EFFENEN

PT

ATERRO

EN In fully or partially in-ground pools, a gravel landfill is necessary to favour perfect draining. The landfill of a pool can seem a mere formality, because a first sight there are no special technical difficulties. Nevertheless, it is a more delicate operation than what it seems, for which certain precautions are necessary. An incorrect landfill can give way to later deterioration of the pool and its surroundings. It is necessary to consider the type of material being used and to perform all the necessary verifications. Before performing the landfill, you should:

- Check that all the hydraulic and electrical equipment is well connected.
- Check the water tightness of the connections of the channelling, especially regarding those sealed parts.
- Protect, if applicable, the peripheral

draining tube covering it with geotextile. It is important to fill the pool in parallel to the landfill in order to balance the pressures and that way avoid deformations of the structure during the operation. We recommend following the landfill technique by thirds (1/3 of water and 1/3 of landfill). During the landfill, we recommend processing by successive layers around the entire perimeter of the pool to not run the risk of damaging the structure.

- Position the alveolar HDPE protection (not included) around the pool.. The alveolar protection, should, likewise continue over the slab and all round the outside of the same.
- To avoid draining obstruction, you should place felt on the natural soil (not included) to retain the soil.
- Install the peripheral draining over the protection and connect it to the decompression well (if applicable). Otherwise, leave the draining extended over the land.
- Now, make the landfill against the walls with compacted gravel (10/30 calibre) that will facilitate drainage. This

! landfill should be done at the same time that you fill the pool. **Land-filling with vegetable soil is prohibited.**

INFORMATION: The drainage allows the continuous evacuation of water, at the foot of the pool and, therefore limits the rising of water by capillary attraction towards the upper part of the works, where air and soil interact to produce fungi or rot (lower diagram). The absence of draining causes water to ascend by capillary action that can be important and permanent, which favours the attacks of air / water interaction (lower diagram). **In the case of an attack and if no draining exists, the guarantee cannot be applied to the deterioration.**

ES En las piscinas enterradas o semienterradas, es indispensable un terraplenado de grava para favorecer el drenaje periférico. El terraplenado de la piscina puede parecer una mera formalidad, porque a primera vista no plantea dificultades técnicas especiales. Sin embargo, es una operación más delicada de lo que parece para la que hay que tomar determinadas precauciones. Un terraplenado incorrecto puede dar lugar a deterioros posteriores en la piscina y en sus inmediaciones. Conviene prestar atención al tipo de material utilizado y realizar todas las verificaciones imprescindibles. Antes de realizar el terraplenado, es importante:

- Comprobar que todos los equipamientos hidráulicos y eléctricos estén bien conectados.
- Comprobar la estanqueidad de las conexiones de sus canalizaciones, en especial respecto a las piezas selladas.
- Proteja, si procede, el tubo de drenaje periférico recubriéndolo con geotextil. Es importante realizar el llenado de la piscina en paralelo al terraplenado de manera que se equilibren las presiones y se eviten deformaciones en la estructura durante la operación. Se aconseja seguir la técnica de terraplenado por tercios (1/3 de agua y 1/3 de terraplenado). Durante el terraplenado, se aconseja proceder por capas sucesivas por todo el perímetro del vaso para no correr el riesgo de dañar la estructura.
- Coloque la protección alveolar en PEHD (no incluida) alrededor del vaso. La protección alveolar debe, igualmente, continuar la losa y extenderse por el exterior de esta.
- Para evitar la obstrucción del drenaje, es necesario situar un fieltro en el terreno natural (no incluido) para retener la tierra.
- Instale el drenaje periférico sobre la protección y conéctelo al pozo de descompresión (en su caso). En caso contrario, deje el drenaje extendido sobre el terreno.
- A continuación, efectúe el terraplenado contra las paredes con grava compactada (calibre 10/30) que facilitará el drenaje. Este terraplenado debe realizarse a la vez que el llenado de la piscina.

! El terraplenado con tierra vegetal está prohibido.

INFORMACIÓN: El drenaje permite la evacuación continua de agua, a pie de piscina y, por lo tanto, limita las subidas de agua por capilaridad hacia la parte superior de la obra, donde interactúan aire y tierra y se producen los ataques de hongos o la podredumbre (esquema debajo). La ausencia de drenaje origina subidas de agua por capilaridad que pueden ser importantes y permanentes, lo que favorece los ataques en la interacción aire / agua (esquema debajo).

En caso de un ataque comprobado y si no existe drenaje la garantía no se podrá hacer cargo del deterioro.

FR Pour les piscines semi-enterrées ou entièrement enterrées, un remblaiement de graviers pour favoriser le drainage périphérique est indispensable. Le remblaiement d'une piscine peut apparaître comme une simple formalité, car à première vue, il ne pose pas de difficultés techniques particulières. Cependant, c'est une opération plus délicate qu'il n'y paraît et il y a quelques précautions à prendre. Un mauvais remblaiement peut amener des détériorations ultérieures de votre piscine et de ses abords. Il convient notamment d'être vigilant sur le type de matériau qu'on utilise et d'avoir fait toutes les vérifications qui s'imposent. Avant de remblayer, il est important de :

- Vérifier que tous les équipements hydrauliques et électriques sont bien raccordés.
- Vérifier l'étanchéité des raccords de vos canalisations, notamment au niveau des pièces à sceller.
- Protéger, le cas échéant, le tuyau de drainage périphérique en le recouvrant d'un géotextile. Il est important de réaliser la mise en eau du bassin parallèlement au remblaiement de façon à équilibrer les pressions et éviter que la structure ne soit déformée pendant l'opération. Il est conseillé d'utiliser la technique du remplissage par 1/3 (1/3 d'eau puis 1/3 de remblais). Lors du remblaiement, il est conseillé de procéder par couches successives sur toute la périphérie du bassin, pour ne pas risquer d'endommager la structure.
- Positionner la protection alvéolaire en PEHD (non fournie) autour du bassin. La protection alvéolaire doit également suivre la dalle et tomber à l'extérieur de cette dernière.
- Afin d'éviter un engorgement du drain, il faut placer sur le terrain naturel une feutrine (non fournie) de manière à retenir la terre.
- Installer le drain périphérique sur la protection et le raccorder au puits de décompression (le cas échéant). À défaut, laisser le drain s'épandre sur le terrain.
- Réaliser ensuite le remblaiement contre les parois avec du gravier tassé (calibre 10/30) qui favorisera le drainage. Ce remblaiement doit s'effectuer en même temps que le remplissage du bassin.

! Le remblaiement en terre végétale est à proscrire.

INFORMATION : Le drainage permet l'évacuation en continu de l'eau, en pied de piscine, et limite donc les remontées d'eau, par capillarité, vers le haut de l'ouvrage à l'interface air/terre où se produisent les attaques de champignons ou pourrissement (schéma ci-dessous). L'absence de drainage génère des remontées d'eau par capillarité potentiellement importantes et permanentes favorisant les attaques à l'interface air/terre (schéma ci-dessous).

Dans le cas d'attaque avérée et d'absence de drainage la détérioration ne pourra être prise en charge par la garantie.

DE Bei ganz oder teilweise eingelassenen Pools ist eine Anschüttung mit Kies unentbehrlich, um die Drainage der Peripherie zu begünstigen. Die Anschüttung des Pools kann wie eine bloße Formalität wirken, denn auf den ersten Blick verursacht sie keine besonderen technischen Schwierigkeiten. Doch es ist ein heiklerer Arbeitsgang als es scheint, für den man gewisse Vorsichtsmaßnahmen treffen muss. Eine falsche Anschüttung kann spätere Beschädigungen am Pool und seiner Umgebung verursachen. Es empfiehlt sich, auf die Art des eingesetzten Materials zu achten und alle unumgänglichen Prüfungen durchzuführen. Vor Durchführung der Anschüttung ist es wichtig:

- Sicherzustellen, dass alle hydraulischen und elektrischen Geräte ordnungsgemäß angeschlossen sind.
- Die Dichtigkeit der Anschlüsse der Leitungsnetze zu prüfen, besonders bei den abgedichteten Teilen.

- DE** • Gegebenenfalls das Rohr der peripheren Drainage zu schützen, indem Sie es mit Geotextil überziehen. Es ist wichtig, die Befüllung des Pools parallel zur Anschüttung durchzuführen, damit der Druck ausgleichend wird und Verformungen im Tragwerk während des Betriebes vermieden werden. Es wird empfohlen, die Anschüttung in Dritteln (1/3 Wasser und 1/3 Anschüttung) vorzunehmen. Während der Anschüttung wird empfohlen, durch den gesamten Umkreis des Beckens in aufeinanderfolgenden Schichten vorzugehen, um nicht Gefahr zu laufen, das Tragwerk zu beschädigen. • Platzieren Sie den alveolaren Schutz in HDPE (nicht im Lieferumfang enthalten) um das Becken. Der alveolare Schutz muss sich auch auf der Platte fortsetzen und bis zur ihrer Außenseite ausdehnen. • Um ein Verstopfen der Entwässerung zu vermeiden, ist es notwendig Wollfilz (nicht im Lieferumfang enthalten) im naturbelassenen Gelände zu platzieren, um den Boden an Ort und Stelle zu halten. • Installieren Sie die periphere Drainage auf dem Schutz und verbinden Sie sie (gegebenenfalls) mit dem Dekompressionsschacht. Im gegenteiligen Fall lassen Sie die Entwässerung sich auf dem Gelände ausbreiten. • Als nächstes erfolgt die Anschüttung gegen die Wände mit festgestampftem Kies (Kaliber 10/30), der die Entwässerung erleichtert. Die Anschüttung muss zeitgleich mit der Befüllung des Pools erfolgen.

! Eine Anschüttung mit Mutterboden ist untersagt.

INFORMATIONEN: Die Entwässerung erlaubt das ununterbrochene Abfließen des Wassers am Pool und begrenzt folglich das Aufsteigen von Wasser durch Kapillarität in Richtung des oberen Teils der Baustelle, wo Luft und Erde aufeinander einwirken und Pilzbefall oder Fäulnis auftreten (siehe Zeichnung unten). Eine fehlende Drainage führt zum Aufsteigen von Wasser durch Kapillarität, welches bedeutend und dauerhaft sein kann, was Angriffe durch die Interaktion Luft/Wasser begünstigt (siehe Zeichnung unten).

Im Falle eines nachgewiesenen Angriffs und falls keine Entwässerung besteht, kann die Garantie die Beschädigung nicht übernehmen.

- IT** Nelle piscine totalmente o parzialmente interrate, è necessario un rinterro di ghiaia per favorire il drenaggio periferico. Il rinterro della piscina può sembrare una mera formalità dato che a prima vista non presenta difficoltà tecniche particolari. È invece un'operazione più delicata di quanto sembri perché si devono prendere certe precauzioni. Un rinterro sbagliato può causare danneggiamenti successivi nella piscina e nelle sue immediate vicinanze. È meglio prestare la massima attenzione al tipo di materiale usato ed effettuare tutte le necessarie verifiche. Prima di realizzare il rinterro è importante:

• Provare che tutti gli impianti idraulici ed elettrici siano connessi bene. • Provare che la tenuta stagna delle connessioni delle tubazioni, in particolare le parti saldate. • Proteggere, se del caso, il tubo di drenaggio ricoprendolo con materiale geo tessile. È importante effettuare il riempimento della piscina in parallelo con il rinterro in modo da equilibrare le pressioni ed evitare deformazioni della struttura durante l'operazione. Si consiglia di seguire la tecnica di rinterro per terzi (1/3 d'acqua e 1/3 di rinterro). Durante il rinterro, si consiglia di procedere per strati successivi per tutto il perimetro della vasca per non correre il rischio di danneggiare la struttura. • Posizionare la protezione alveolare HDPE (non inclusa) intorno alla vasca. La protezione alveolare deve proseguire il basamento allo stesso modo ed estendersi esteriormente ad esso. • Per evitare l'ostruzione del drenaggio, è necessario porre un feltro nel terreno naturale (non incluso) per bloccare la terra. • Installare il drenaggio periferico sopra la protezione e collegarlo al pozzo di decompressione (in questo caso). In caso contrario, lasciare il drenaggio steso sul terreno. • Di seguito, realizzare il rinterro contro le pareti con ghiaia compattata (calibro 10/30) che faciliterà il drenaggio. Questo rinterro deve essere realizzato dopo aver riempito la piscina.

! Il rinterro con terriccio è proibito.

INFORMAZIONI: Il drenaggio permette lo svuotamento continuo dell'acqua, sotto la piscina, e quindi limita le perdite di acqua per capillarità verso la parte superiore dell'opera, dove interagiscono aria e terra e si producono attacchi di funghi e il marciume (schema sotto). La mancanza di drenaggio causa perdite di acqua per capillarità che possono essere importanti e permanenti, e ciò favorisce gli attacchi con l'interazione aria/acqua (schema sotto). **In caso di attacco comprovato e in assenza di drenaggio la garanzia non potrà coprire il deterioramento.**

- NL** Bij geheel of gedeeltelijk verdiept aangelegde zwembaden, is het onontbeerlijk om op te vullen met steenslag wat ten goede komt aan de afwatering rondom het bassin. De opvulling met steenslag langs het zwembad kan een loutere formaliteit lijken, omdat het op het eerste gezicht om weinig specifieke technische kennis vraagt. In werkelijkheid is het een operatie die veel delicaat is dan wat het lijkt en waarbij bepaalde voorzorgsmaatregelen moeten worden genomen. Een onjuiste opvulling kan tot latere schade aan het zwembad en de zijn omgeving leiden. Er moet dus goed aandacht worden geschonken aan het te gebruiken materiaal en het uitvoeren van alle controles is het van het grootste belang. Voor het uitvoeren van de opvulling met steenslag, is het volgende van belang:

• Controleer of alle hydraulische en elektrische apparatuur goed is aangesloten. • Controleer de waterdichtheid van de leidingverbindingen en let daarbij in het bijzonder op de afgedichte delen. • Om verder te gaan, beschermt u eerst de leiding van de perifere afwatering door hem af te dekken met geotextiel. Het is belangrijk om het vullen van het zwembad parallel aan de opvulling met steenslag uit te voeren omdat zodat de druk van beide kanten in evenwicht blijft en er tijdens de operatie geen vervormingen in het frame kunnen ontstaan. Het advies is om de 1:3-techniek voor de opvulling te volgen (1/3 water en 1/3 steenslag). Het wordt aangeraden om bij de opvulling met steenslag te werken met opeenvolgende lagen waarbij u de gehele omtrek van het bassin steeds volgt om niet het risico te lopen al het frame beschadigd. • Plaats de beschermende HDPE-noppenfolie (niet bijgeleverd) om het bassin. De alveolaire bescherming moet ook over de betonplaat lopen en zich uitstreken naar de buitenkant hiervan. • Om verstopping van de afwatering te voorkomen, is het nodig om een vilten doek over en de natuurlijke grond te spannen (niet bijgeleverd) om de grond op zijn plaats te houden. • Installeer de perifere afwatering op de bescherming en sluit hem aan op de decompressieput, indien van toepassing. Als dit niet het geval is, de afwatering verlengen over het terrein. • Vervolgens, de opvulling uitvoeren door compacte steenslag (kaliber 10/30) aan te brengen tegen de wanden - wat de afwatering zal vergemakkelijken. Deze opvulling moet tegelijk worden uitgevoerd met het vullen van het zwembad.

! Opvullen met tuinaarde is verboden.

INFORMATIE: Een afwateringssysteem, aan de voet van het zwembad maakt de continue afvoer van water mogelijk en op die manier, wordt voorkomen dat water kan optrekken naar het bovenste deel van de installatie, waar lucht en aarde op elkaar inwerken en waar schimmel of houtrot kan ontstaan (onderstaand schema). Het ontbreken van drainage heeft tot gevolg dat water kan optrekken, wat aanzienlijk en permanent kan zijn en wat aantasting kan veroorzaken daar waar aarde en lucht met elkaar in contact treden (onderstaand schema).

In het geval dat er een aanval is geconstateerd en er géén drainagesysteem bestaat, zal de garantie geen verantwoording nemen voor de schade.

- PT** Nas piscinas enterradas total ou parcialmente, é indispensável uma terraplenagem de brita para favorecer a drenagem periférica. A terraplenagem da piscina pode parecer uma simples formalidade, porque à primeira vista não coloca dificuldades técnicas especiais. Porém, é uma operação mais delicada do que parece para que devam ser tomadas determinadas precauções. Uma terraplenagem incorreta pode causar deteriorações posteriores na piscina e nas imediações. Deve prestar-se atenção ao tipo de material utilizado e realizar todas as verificações imprescindíveis. Antes de realizar a terraplenagem, é importante:

• Verificar que todos os equipamentos hidráulicos e elétricos estejam bem ligados. • Verificar a estanqueidade das ligações das suas canalizações, em especial no que diz respeito às peças seladas. • Proteja, se aplicável, o tubo de drenagem periférica revestindo-o com geotêxtil. É importante realizar o enchimento da piscina em paralelo à terraplenagem de maneira que se equilibrem as pressões e se evitem deformações na estrutura durante a operação. Aconselha-se seguir a técnica de terraplenagem por terços (1/3 de água e 1/3 de terraplenagem). Durante a terraplenagem, aconselha-se proceder por camadas sucessivas por todo o perímetro do tanque para não correr o risco de danificar a estrutura. • Coloque a proteção alveolar em PEHD (não incluída) em volta do tanque. A proteção alveolar deve, igualmente, continuar a laje e estender-se pelo exterior desta. • Para evitar a obstrução da drenagem, é necessário situar um feltro no terreno natural (não incluído) para reter a terra. • Instale a drenagem periférica sobre a proteção e ligue-a ao poço de decompressão (se for caso disso). Caso contrário, deixe a drenagem estendida sobre o terreno. • Em seguida, efetue a terraplenagem contra as paredes com brita compactada (calibre 10/30) que facilitará a drenagem. Esta terraplenagem deve ser realizada em simultâneo com o enchimento da piscina.

! A terraplenagem com terra vegetal é proibida.

INFORMAÇÃO: A drenagem permite a evacuação contínua de água, ao pé da piscina e, portanto, limita as subidas de água por capilaridade para a parte superior da obra, onde interagem ar e terra e ocorrem os ataques de fungos ou a podridão (esquema abaixo). A ausência de drenagem origina subidas de água por capilaridade que podem ser importantes e permanentes, o que favorece os ataques na interação ar / água (esquema abaixo).

Em caso de um ataque verificado, e se não existir drenagem, a garantia não assumirá a deterioração.



Drainage gravel
Grava drenante
Gravier drainant
Kies zur Entwässerung
Ghiaia drenante
Steenslag/grind voor drainage
Brita drenante



Alveolar protection in HDPE
Protección alveolar en PEAD
Protection alvéolaire en PEHD
Alveolar Schutz in PEHD
Protezione alveolare in PEAD
Beschermdende HDPE-noppenfoli
Proteção alveolar em PEAD

Peripheral drainage
Drenaje periférico
Drain périphérique
Periphäre Drainage
Drenaggio periferico
Perifere afwatering
Drenagem periférica

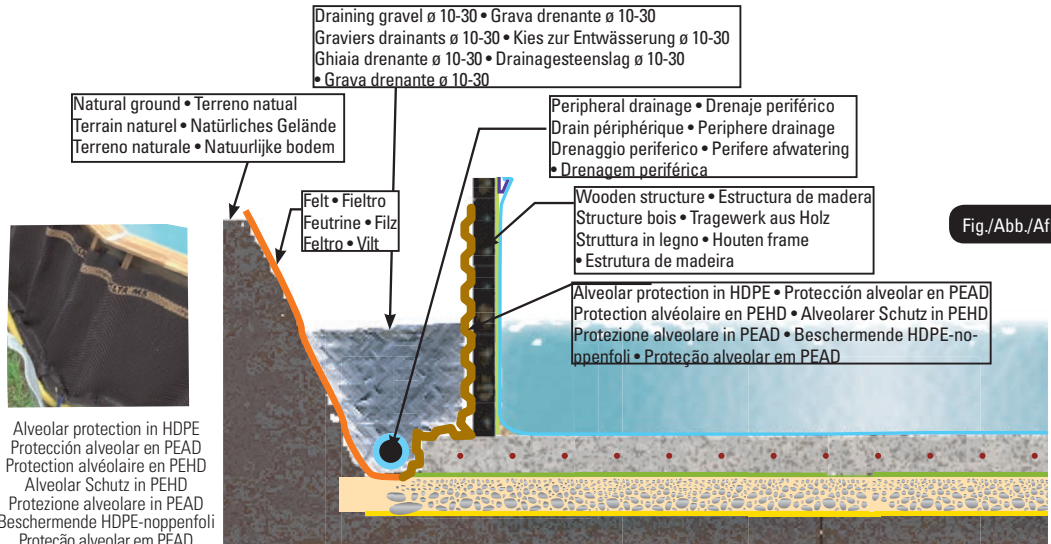


Fig./Abb./Afb. 35

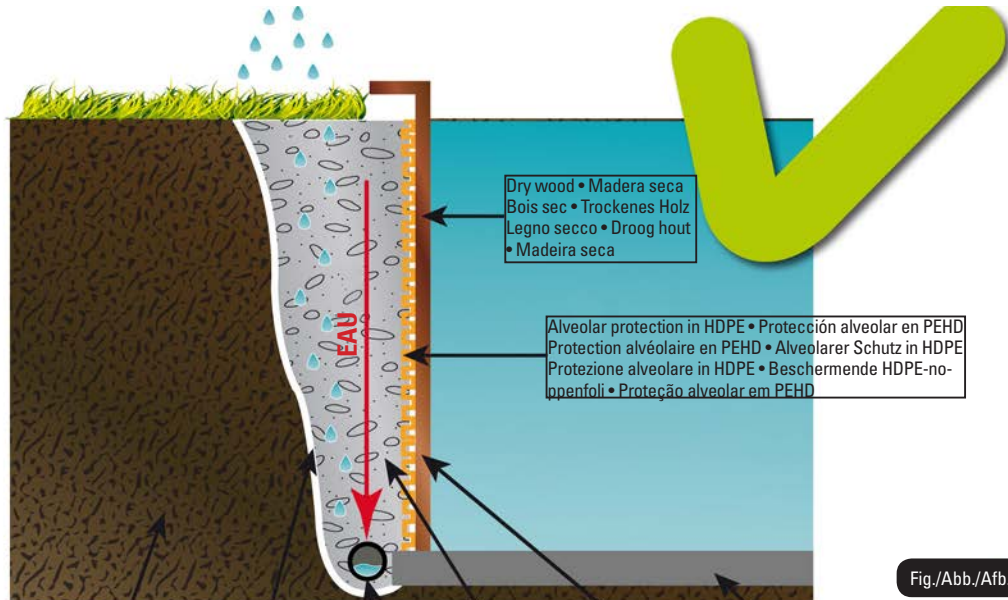


Fig./Abb./Afb. 36

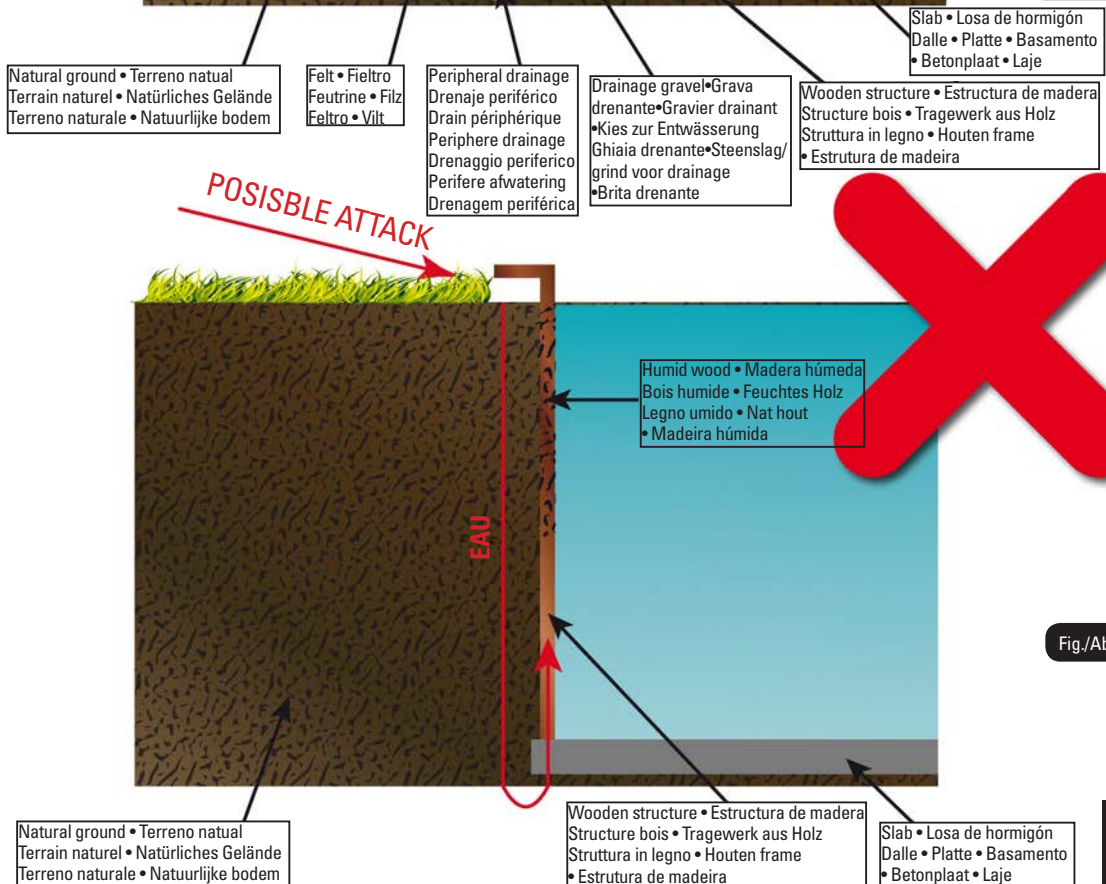
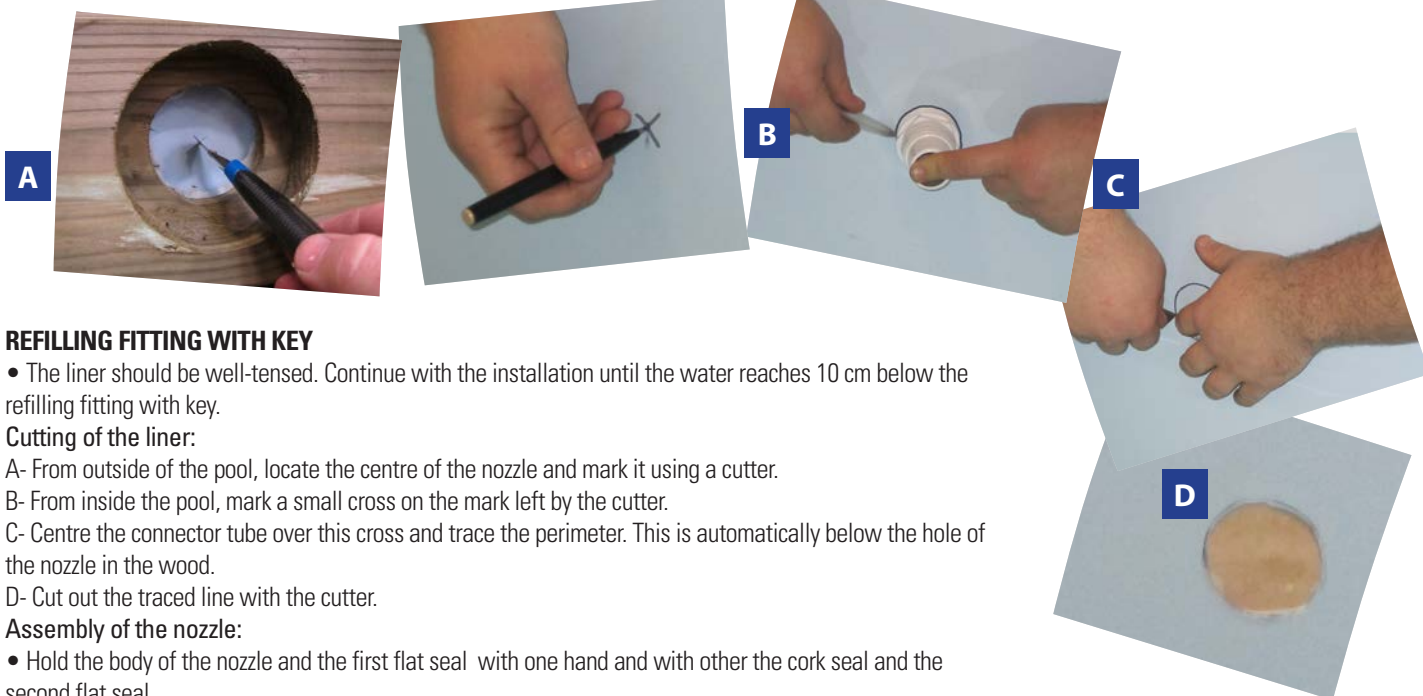


Fig./Abb./Afb. 37

POSITIONING OF THE SEALING PIECES



REFILLING FITTING WITH KEY

- The liner should be well-tensed. Continue with the installation until the water reaches 10 cm below the refilling fitting with key.

Cutting of the liner:

A- From outside of the pool, locate the centre of the nozzle and mark it using a cutter.

B- From inside the pool, mark a small cross on the mark left by the cutter.

C- Centre the connector tube over this cross and trace the perimeter. This is automatically below the hole of the nozzle in the wood.

D- Cut out the traced line with the cutter.

Assembly of the nozzle:

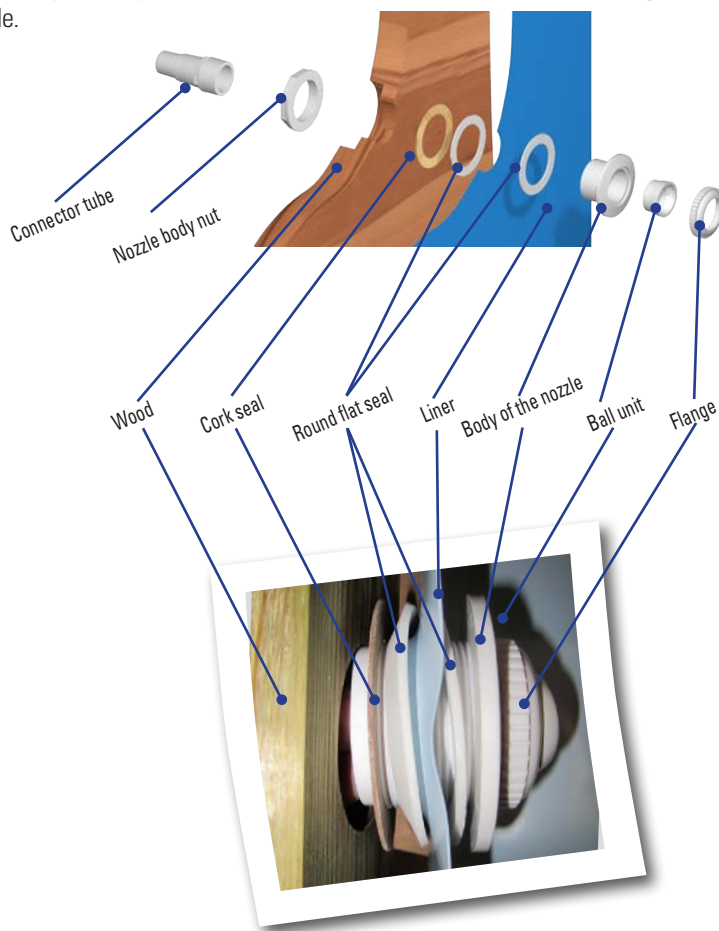
- Hold the body of the nozzle and the first flat seal with one hand and with other the cork seal and the second flat seal.
- From outside of the pool introduce through the hole of the nozzle the flat seal and the cork one together, centring them regarding the axis of the hole (the cork seal on the wood side).

ATTENTION: hold the seals so they do not drop between the liner and the wood.

- From inside the pool, introduce the nozzle with the flat seal into the hole. The body of the nozzle should be introduced into the hole of the liner, the second flat seal, the cork seal and the hole in the wood.
- Finish the installation of the nozzle by screwing from the outside the nut of the body of the nozzle (the flat side against the wood). Reasonably tighten, without forcing too much, to fix the liner between the two flat seals.
- Position the flange and screw it.
- Thread the connector tube previously prepared with Teflon (not included) into the body of the nozzle, from outside of the pool.
- Temporarily connect the filter tube to the connector tube (see filter chapter) and position the free above the water level to continue filling the water for the assembly of the skimmer without water coming out of the nozzle.



Install the filter before continuing with cutting the liner.



Look for us in our YouTube channel to help you with the assembly.

YouTube

SKIMMER



Locate and mark the position of the screws



Place the seal over the flange



Screw the flange and hollow out the liner

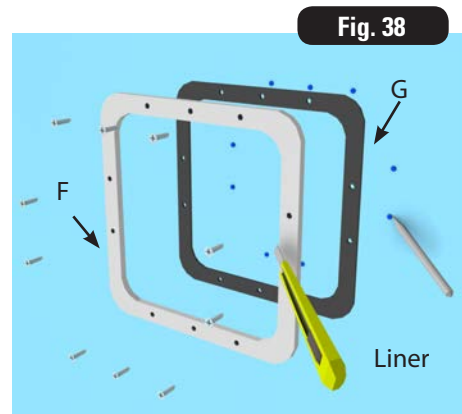
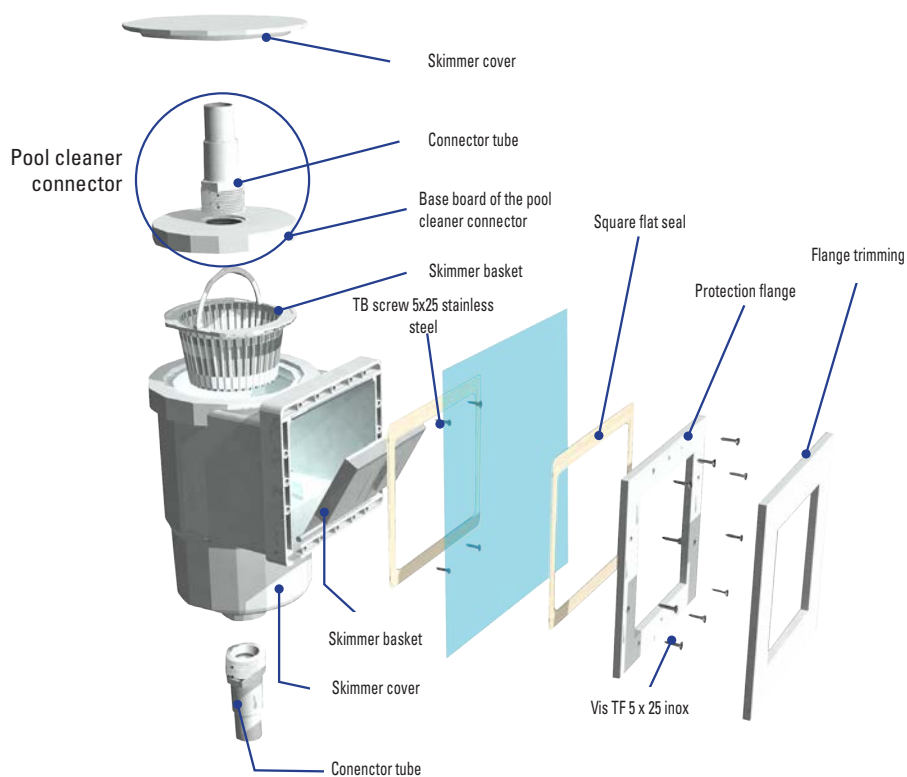


Fig. 38

- The liner should be well-tensed. Continue with the installation until the water reaches 10 cm below the skimmer.
- Before continuing, make sure that the skimmer flap is well positioned.
- Mark the position of the fixing screws on the liner with a felt-tip pen.
- Position the second square flat seal (G) and the flange (F) against the liner, aligning the holes with the position marks of the screws.
- Fix the flange (F) on the liner with 10 TF screws 5 x 25 starting at the top. The pressure of fixing points on the liner should be constant, (fixing in cross)
- Cut the liner with a cutter from the inside of the skimmer.
- Now you should install the filter.

After finishing the fixing, hollow out the liner following the flange.



Look for us in our YouTube channel to help you with the assembly.

YouTube



BOQUILLA DE IMPULSIÓN

- El liner debe estar bien tensado. Proceda a la instalación hasta que el agua llegue a 10 cm bajo la boquilla de salida.

Corte del liner:

A- Desde el exterior del vaso, localice el centro de la boquilla y señálelo con ayuda de un cúter

B- Desde el interior del vaso, marque una pequeña cruz en la señal dejada por el cúter.

C- Centre el conector acanalado sobre esta cruz y trace el perímetro. Este es automáticamente inferior al orificio de la boquilla en la madera.

D- Proceda al corte del trazado con el cúter.

Montaje de la boquilla:

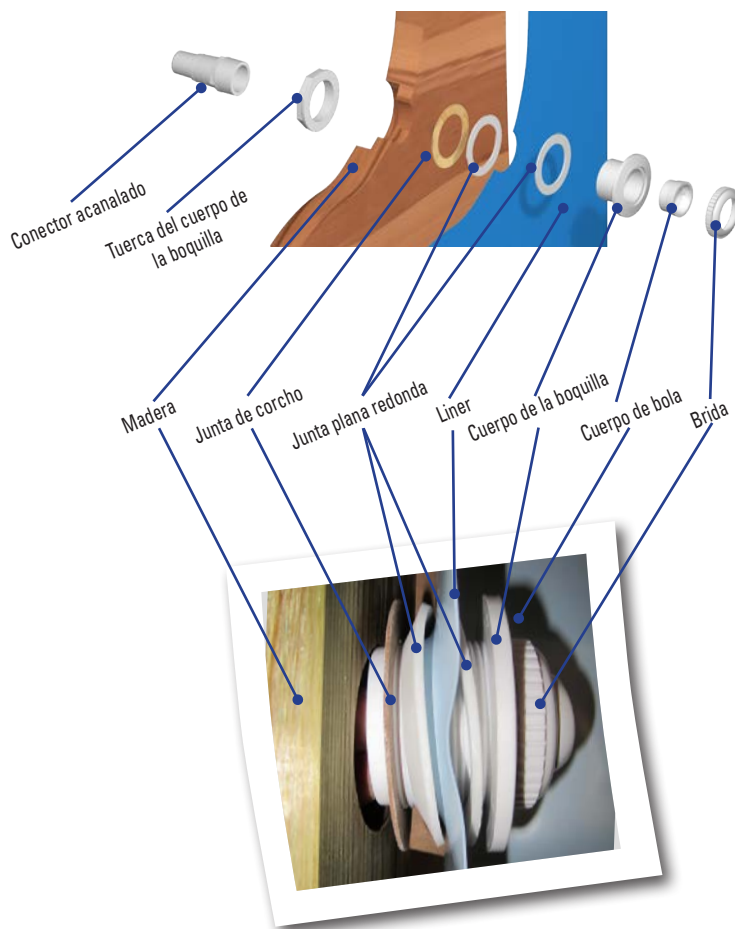
- Sujete el cuerpo de la boquilla y la primera junta plana con una mano y con la otra la junta de corcho y la segunda junta plana.
- Desde el exterior de la piscina introduzca a través del orificio de la boquilla la junta plana y la de corcho juntas, centrándolas respecto al eje del orificio (la junta de corcho del lado de la madera).

ATENCIÓN: sujete las juntas para que no se deslicen entre la madera y el liner.

- Desde el interior de la piscina, introduzca la boquilla dotada de su junta plana por el orificio. El cuerpo de la boquilla debe introducirse sucesivamente por el orificio del liner, la segunda junta plana, la junta de corcho y el orificio de la tabla.
- Finalice la instalación de la boquilla atornillando desde el exterior la tuerca del cuerpo de la boquilla (la cara plana contra la madera). Apriete razonablemente, sin forzar demasiado, para sujetar el liner entre las dos juntas planas.
- Coloque la brida y atorníllela.
- Enrosque el conector acanalado previamente equipado con Teflón (no incluido) en el cuerpo de la boquilla, por el lado exterior del vaso.
- Conecte momentáneamente el tubo de filtración al conector acanalado (ver capítulo de filtración) y sitúe el extremo libre por encima del nivel del agua para poder continuar con el llenado de la piscina para el montaje del skimmer sin que salga el agua por la boquilla.



Instale la filtración antes de proceder con los cortes del liner.



Búsquenos en nuestro canal de Youtube para ayudarle con el montaje.

YouTube

SKIMMER



Localice y señale la ubicación de los tornillos



Coloque la junta sobre la brida



Atornille la brida y ahueque el liner

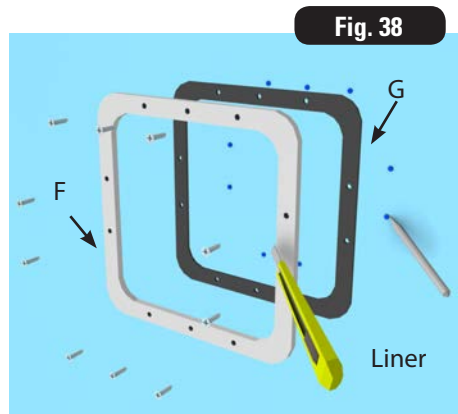
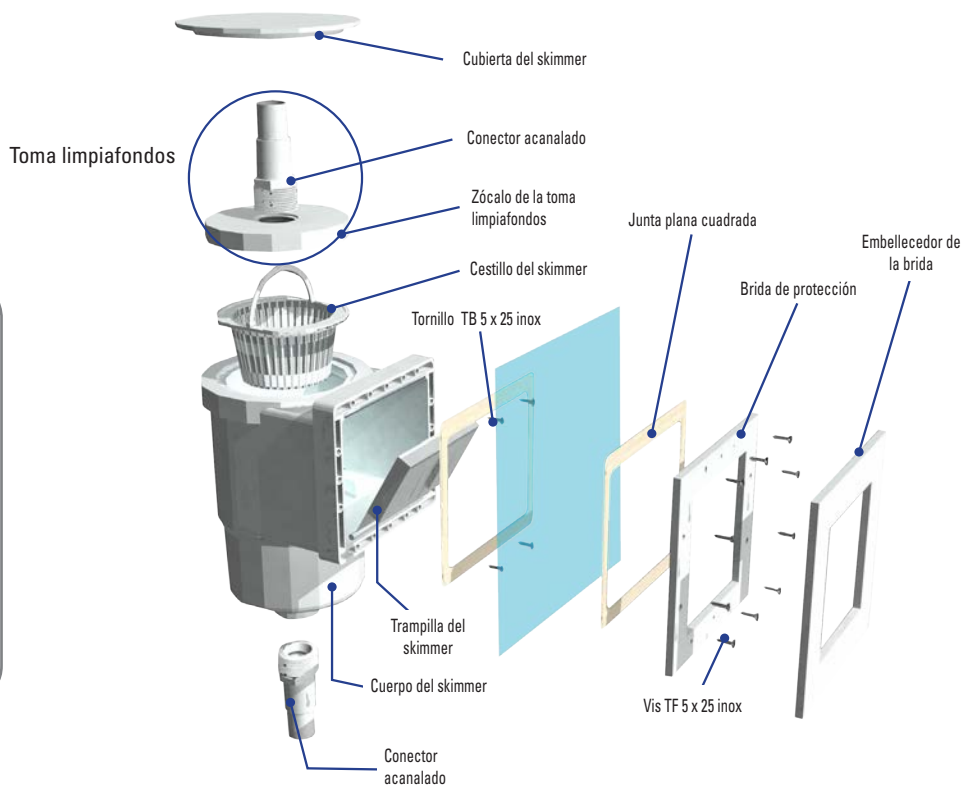


Fig. 38

- El liner debe estar bien tensado. Proceda a la instalación hasta que el agua llegue a 10 cm bajo el skimmer.
 - Antes de proceder, cerciórese de que la trampilla del skimmer está bien posicionada.
 - Marque con un rotulador la posición de los tornillos de fijación sobre el liner.
 - Coloque la segunda junta plana cuadrada (G) y después la brida (F) contra el liner, alineando los orificios con las marcas de ubicación de los tornillos.
 - Fije la brida (F) sobre el liner con los 10 tornillos TF 5 x 25 empezando por la parte superior. La presión de los puntos de fijación sobre el liner debe ser constante (sujeción en cruz)
 - Corte el liner con un cúter por el interior del skimmer.
 - En este momento debe instalar la filtración.
- Una vez realizada la fijación, ahueque el liner siguiendo la brida.



Búsquenos en nuestro canal de Youtube para ayudarle con el montaje.





BUSE DE REFOULEMENT

- Le liner doit être bien tendu. Procédez au montage lorsque l'eau est à 10cm sous la buse de refoulement.

Découpe du liner :

A- De l'extérieur du bassin, repérez le centre de la buse et marquez-le à l'aide d'un cutter.

B- De l'intérieur du bassin, cochez d'une petite croix la marque laissée par le cutter.

C- Centrez l'embout cannelé sur cette croix et tracez le périmètre. Celui-ci est automatiquement inférieur à l'orifice de la buse dans le bois.

D- procédez à la découpe du tracé avec un cutter.

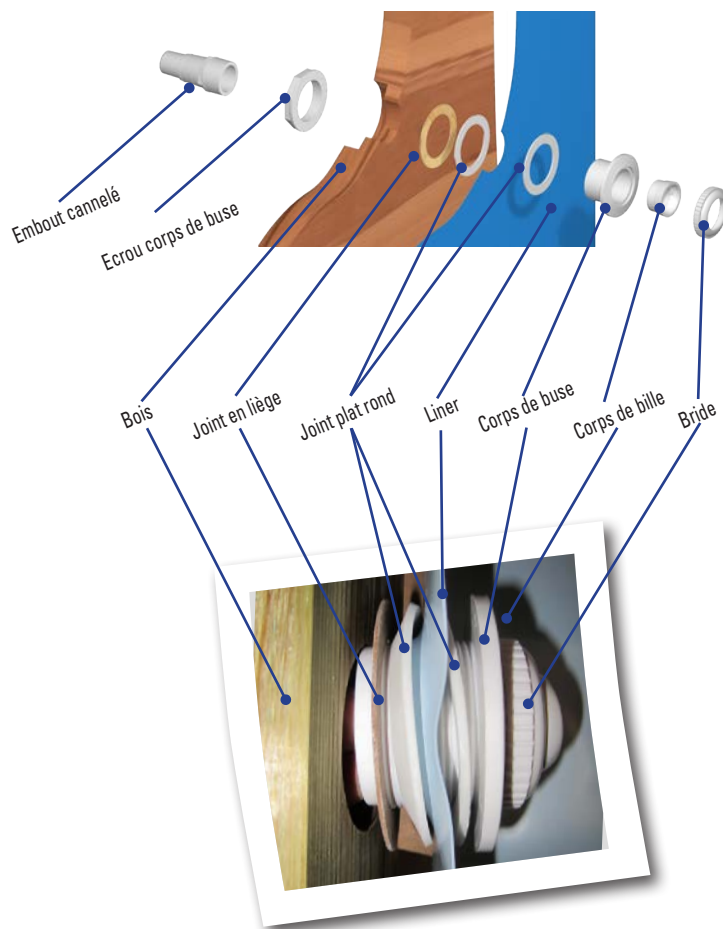
Montage de la buse:

- Munissez-vous du corps de buse et du premier joint plat d'une main, et de l'autre main du joint en liège et du second joint plat.
- Par l'extérieur de la piscine, insérez ensemble, via l'orifice de la buse, le joint plat et le joint en liège en les centrant sur l'axe de l'orifice (joint en liège côté bois).

ATTENTION : veillez à maintenir les joints pour ne pas qu'ils glissent entre le bois et le liner.

- De l'intérieur du bassin, insérez le corps de buse muni de son joint plat dans l'orifice. Le corps de buse doit successivement s'insérer dans le trou du liner, le second joint plat, le joint en liège et l'orifice du madrier.
- Terminez l'installation de la buse en vissant de l'extérieur de la structure l'écrou corps de buse (face plate contre le bois). Serrez raisonnablement, sans trop forcer, pour maintenir le liner, entre les deux joints plats.
- Placez et vissez la bride.
- Vissez l'embout cannelé préalablement muni de téflon (non fourni) dans le corps de buse, côté extérieur du bassin.
- Raccordez momentanément le tuyau de filtration à l'embout cannelé (cf. chapitre filtration) et placez l'extrémité libre au dessus du niveau de l'eau afin de pouvoir continuer à remplir la piscine pour le montage du skimmer, sans que l'eau s'évacue par la buse.

 Installez la filtration avant de procéder aux découpes du liner.



Rendez-vous sur notre chaîne Youtube pour une aide au montage.

YouTube

SKIMMER



Repérez et tracez l'emplacement des vis



Placez le joint sur la bride



Vissez la bride puis évidez le liner

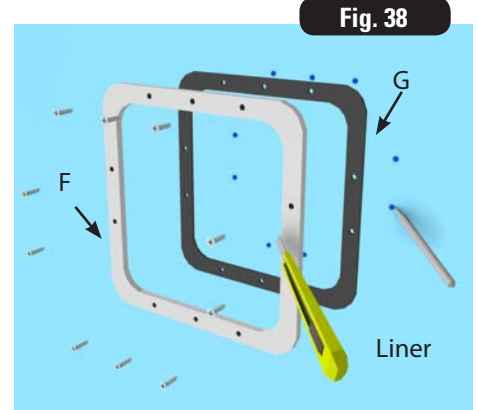
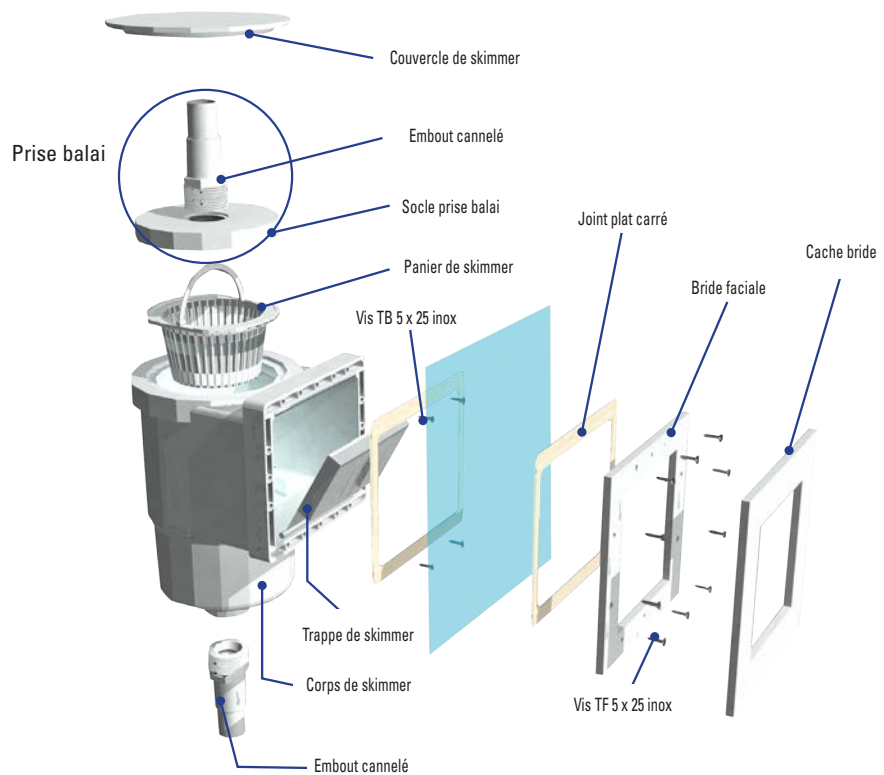


Fig. 38

- Le liner doit être bien tendu. Procédez au montage quand l'eau est à 10 cm sous le skimmer.
 - Avant de procéder, assurez-vous que le volet du skimmer est bien positionné.
 - Tracez avec un feutre la position des vis de fixation sur le liner.
 - Placez le 2ème joint plat carré (G) puis la bride (F) contre le liner en alignant les trous avec les tracés d'emplacement des vis.
 - Fixez la bride (F) sur le liner avec les 10 vis TF 5 x 25 en commençant par le haut. La pression des points de serrage sur le liner doit être constante (serrage en croix).
 - Découpez le liner au cutter à l'intérieur du skimmer.
 - A ce stade, vous devez installer la filtration.
- Ce serrage fait, évidez le liner en suivant la bride.



Look for us in our YouTube channel to help you with the assembly.

YouTube



DRUCKVENTIL

- Der Liner muss gut festgezogen werden. Fahren Sie mit der Installation fort, bis das Wasser 10 cm unter das Druckventil reicht.

Zuschneiden des Liners:

A- Finden Sie die Mitte der Düse von außerhalb des Beckens und markieren Sie sie mit Hilfe eines Cutters.

B- Vom Inneren des Beckens aus zeichnen Sie ein kleines Kreuz auf das vom Cutter hinterlassene Zeichen.

C - Zentrieren Sie die gerippte Kappe auf diesem Kreuz und zeichnen Sie den Umkreis nach. Dieser ist automatisch kleiner als die Öffnung der Düse im Holz.

D • Schneiden Sie mit dem Cutter laut Zeichnung.

Einbau der Düse:

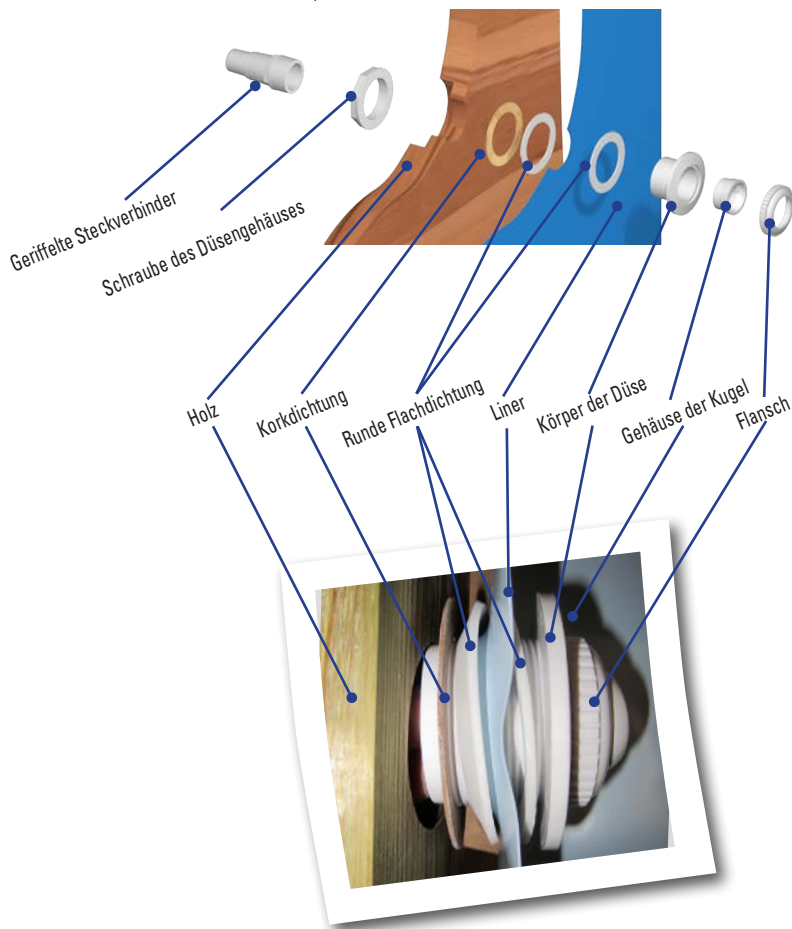
- Halten Sie das Gehäuse der Düse und die erste Flachdichtung in einer Hand und die Korkdichtung sowie die zweite Flachdichtung in der anderen.

- Von der Außenseite des Pools setzen Sie die Flachdichtung und die Korkdichtung zusammen durch die Öffnung der Düse ein und zentrieren sie in Bezug auf die Achse der Öffnung (die Korkdichtung von der Seite des Holzes).

ACHTUNG: Halten Sie die Dichtungen fest, damit sie nicht zwischen Holz und Liner rutschen.

- Vom Inneren des Pools führen Sie die Düse, die mit der Flachdichtung ausgestattet ist, durch die Öffnung. Der Körper der Düse muss hintereinander durch die Öffnung des Liners, die zweite Flachdichtung, die Korkdichtung und die Öffnung des Bretts eingesetzt werden.
- Beenden Sie die Installation der Düse, indem Sie die Schraube des Düsengehäuses von außen festschrauben (die flache Seite gegen das Holz). Ziehen Sie sie angemessen fest, ohne sie zu stark zu beanspruchen, um den Liner zwischen den beiden Flachdichtungen zu halten.
- Platzieren Sie den Flansch und verschrauben Sie ihn.
- Verschrauben Sie den mit Teflon (nicht im Lieferumfang enthalten) ausgestatteten geriffelten Anschluss im Düsengehäuse von außerhalb des Beckens.
- Schließen Sie kurzzeitig den Filtrationsschlauch an den geriffelten Anschluss (siehe Kapitel Filtration) an und platzieren Sie das freie Ende über dem Wasserspiegel, um die Befüllung des Pools für den Einbau des Skimmers fortsetzen zu können, ohne dass das Wasser durch die Düse austritt.

 Bringen Sie die Filtration an, bevor Sie die Zuschnitte des Liners vornehmen.



Besuchen Sie unseren Kanal auf Youtube, damit wir Ihnen bei der Montage helfen.

You Tube

SKIMMER



Machen Sie die Schrauben ausfindig und markieren Sie deren Position



Setzen Sie die Dichtung auf den Flansch



Schrauben Sie den Flansch fest und sparen Sie den Liner aus

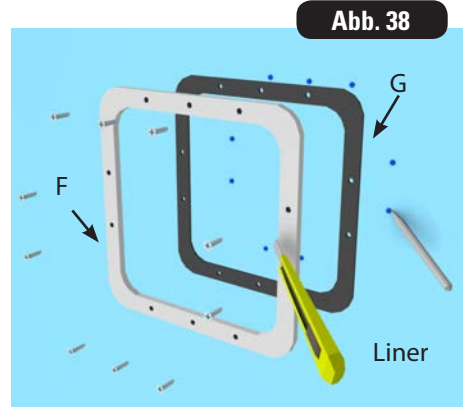
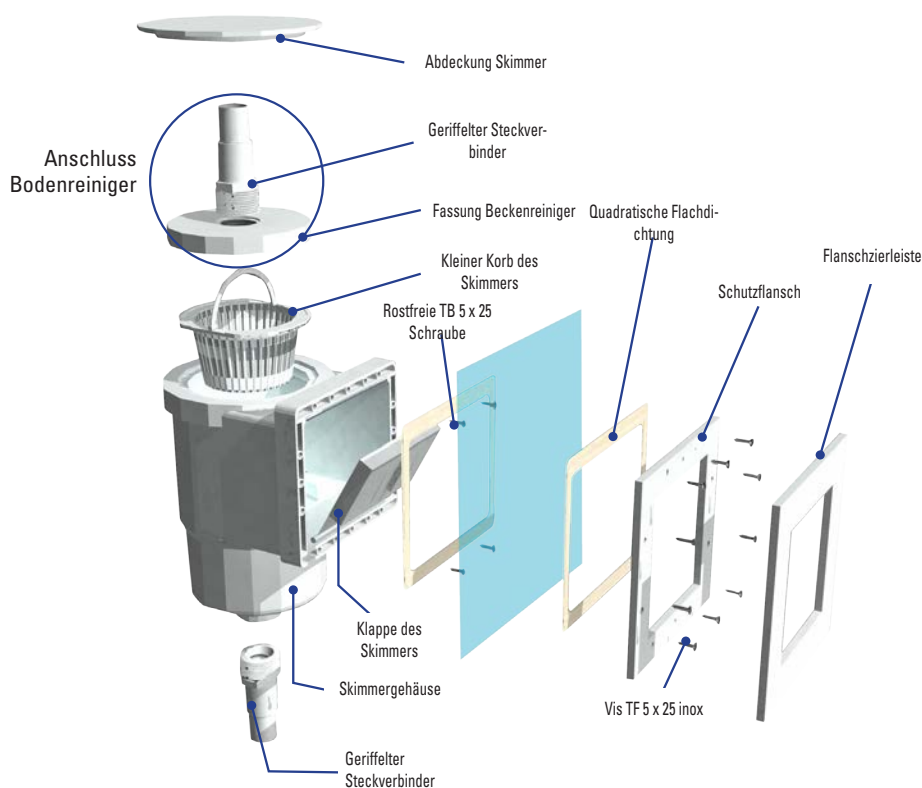


Abb. 38

- Der Liner muss gut festgezogen werden. Fahren Sie mit der Installation fort, bis das Wasser 10 cm unter den Skimmer reicht.
 - Bevor Sie fortfahren, stellen Sie sicher, dass die Klappe des Skimmers richtig positioniert ist.
 - Kennzeichnen Sie mit einem Stift die Position der Befestigungsschrauben auf dem Liner.
 - Platzieren Sie die zweite quadratische Flachdichtung (G) und danach den Flansch (F) gegen den Skimmer und richten Sie die Öffnungen an den Markierungen für die Schraubenposition aus.
 - Befestigen Sie den Flansch (F) mit 10 Schrauben TF 5 x 25 am Liner, indem Sie im oberen Bereich beginnen. Der Druck der Befestigungspunkte auf den Liner muss konstant sein (kreuzweises Festziehen).
 - Schneiden Sie den Liner mit einem Cutter durch das Innere des Skimmers.
 - In diesem Moment müssen Sie die Filtration anbringen.
- Nach der Befestigung sparen Sie den Liner entlang des Flansches aus.



Besuchen Sie unseren Kanal auf Youtube, damit wir Ihnen bei der Montage helfen.

YouTube



UGELLO DI MANDATA

- Il liner deve essere ben teso. Procedere all'installazione fino a che l'acqua non raggiunge i 10 cm al di sotto dell'ugello di mandata.

Taglio del liner.

A- Dall'esterno della vasca, individuare il centro dell'ugello e segnarlo con l'aiuto di un taglierino.

B- Dall'interno della vasca, fare una piccola croce sul segno lasciato dal taglierino.

C- Centrare il connettore scanalato sopra questa croce e tracciare il perimetro. Questo è automaticamente più basso del foro dell'ugello nel legno.

D- Procedere al taglio del tracciato con il taglierino.

Montaggio dell'ugello:

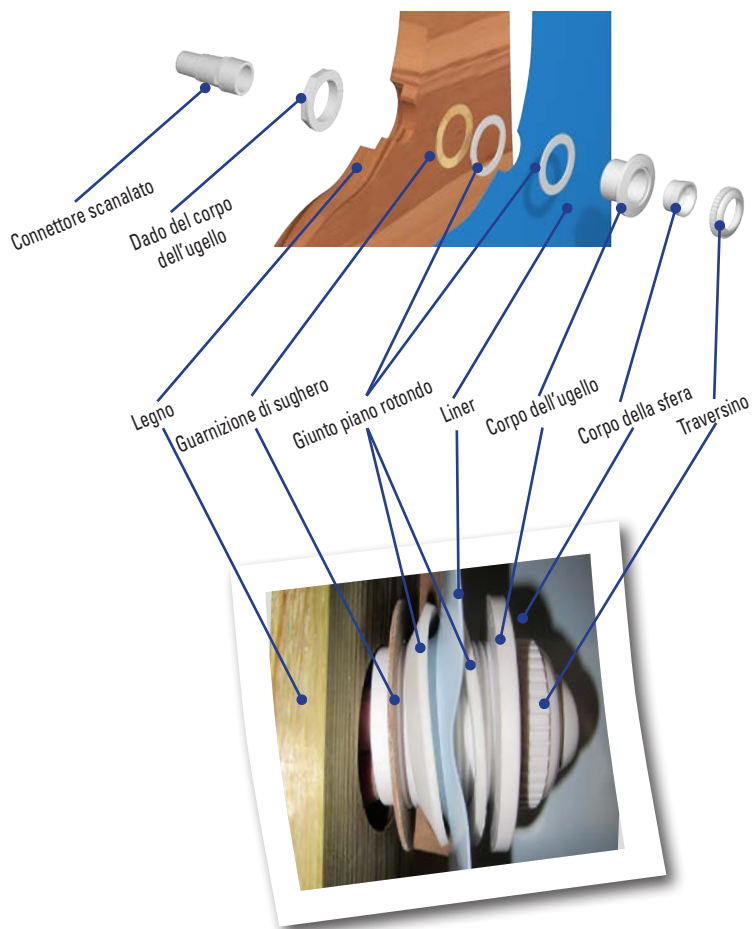
- Tenere il corpo dell'ugello e il primo giunto piano con una mano e con l'altro la guarnizione di sughere e il secondo giunto piano.
- Dall'esterno della piscina introdurre tramite il foro dell'ugello il giunto piano e la guarnizione di sughero insieme, centrandole rispetto all'asse del foro (la guarnizione di sughero dal lato del legno).

ATTENZIONE: stringere i giunti affinché non scivolino tra il legno e il liner.

- Dall'interno della piscina, introdurre l'ugello dotato del suo giunto piano attraverso il foro. Il corpo dell'ugello deve essere introdotto successivamente attraverso il foro del liner, il secondo giunto piano, la guarnizione di sughero e il foro della tavola.
- Completare l'installazione dell'ugello avvitando dall'esterno il dado del corpo dell'ugello (il lato piatto contro il legno). Stringere sufficientemente, senza forzare troppo, per spingere il liner tra i due giunti piani.
- Posizionare il traversino e avvitarlo.
- Avvolgere il connettore scanalato dotato in precedenza di teflon (non incluso) nel corpo dell'ugello, dal lato esterno della vasca.
- Connettere momentaneamente il tubo di filtrazione al connettore scanalato (vedi capitolo di filtrazione) e posizionare l'estremità libera sopra il livello dell'acqua per proseguire con il riempimento della piscina per il montaggio dello skimmer senza che esca acqua dall'ugello.



Installare il filtro prima di procedere con i tagli del liner.



Cerca il nostro canale Youtube per supporto nel montaggio.

YouTube

SKIMMER



Individuare e segnalare la posizione delle viti



Posizionare il giunto sopra il traversino



Avvitare il traversino e togliere il liner

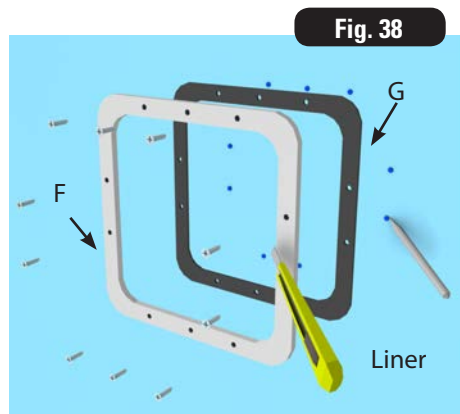
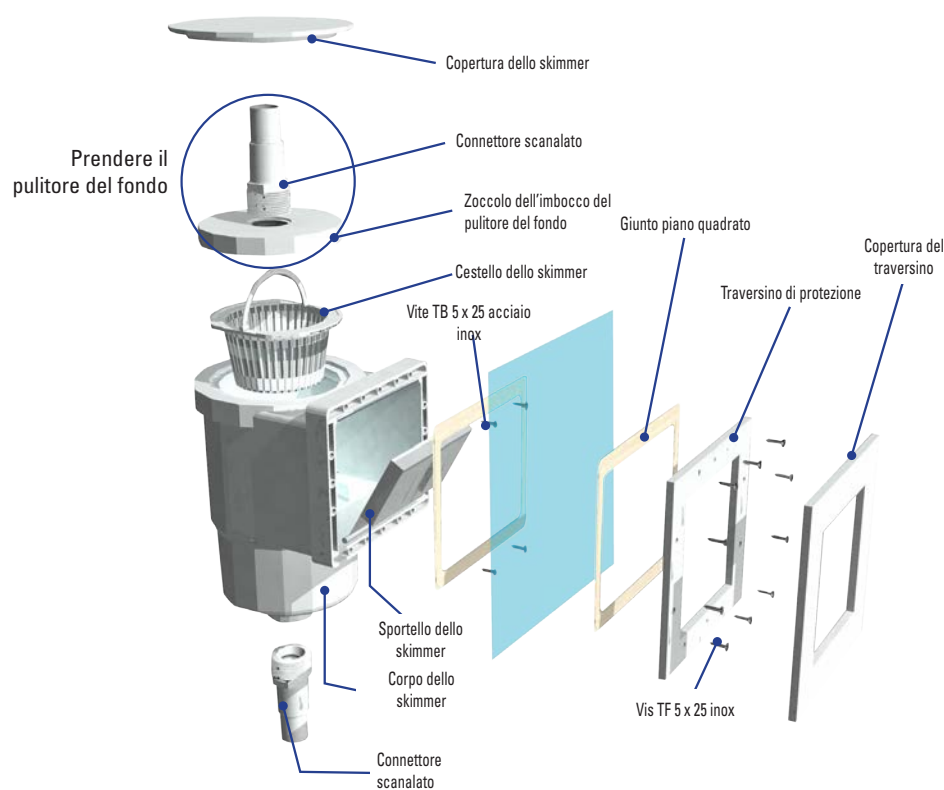


Fig. 38

- Il liner deve essere ben teso. Procedere all'installazione fino a che l'acqua arriva a 10 cm sotto lo skimmer.
 - Prima di proseguire, accertarsi che lo sportello dello skimmer sia ben posizionato.
 - Segnare con un pennarello la posizione delle viti di fissaggio sopra il liner.
 - Posizionare il secondo giunto piano (G) e dopo il traversino (F) contro il liner, allineando i fori con i segni di posizionamento delle viti.
 - Fissare il traversino (F) sopra il liner con 10 viti TF 5 x 25 iniziando dalla parte superiore. La pressione dei punti di fissaggio sopra il liner deve essere costante (fissaggio a croce)
 - Tagliare il liner con un taglierino dall'interno dello skimmer.
 - Adesso installare il filtro.
- Una volta realizzato il fissaggio, rimuovere il liner seguendo il traversino.



Cerca il nostro canale Youtube per supporto nel montaggio.

YouTube



UITSTROOMMONDSTUK

- De liner moet goed gespannen zijn. Ga verder met de installatie totdat het water reikt tot 10 cm onder het uitstroommondstuk.

Snijden van de liner:

A- Vanaf de buitenkant van het bassin, lokaliseert u het midden van het mondstuk en markeert dit met behulp van een stanleymes.

B- Vanaf de binnenkant van het bassin, zet u een kruisje op de markering dat is achtergelaten door het stanleymes.

C- Zet de slang-pilaarkoppeling midden op dit kruis en teken de omtrek. Dit is automatisch een lagere opening dan het gat van het mondstuk en het hout.

D- Snij vervolgens de getekende omtrek uit met het stanleymes.

Montage van het mondstuk:

- Klem de body van het mondstuk en de eerste platte pakking met de ene hand vast en met de andere de pakking van kurk en de tweede platte pakking.

- De platte pakking en de kurkpakkingen vanaf de buitenkant van het zwembad inbrengen via het gat van het mondstuk, en centreer ze ten opzichte van de as van het gat (de pakking van kurk vanaf de kant van het hout).

LET OP: klem de pakkingen vast opdat ze niet wegglijden tussen het hout en de liner.

- Vanaf de binnenkant van het zwembad, het mondstuk dat is uitgerust met de platte pakking door het gat insteken. De body van het mondstuk moet vervolgens worden ingebracht door het gat van de liner, de tweede platte pakking, de pakking van kurk en het gat in de plank.

- Besluit de installatie van het mondstuk door van buitenaf de moer van de body van het mondstuk (de platte kant tegen het hout) vast te draaien. Stevig vastklemmen, zonder teveel kracht uit te oefenen, om de liner tussen de twee platte pakkingen vast te zetten.

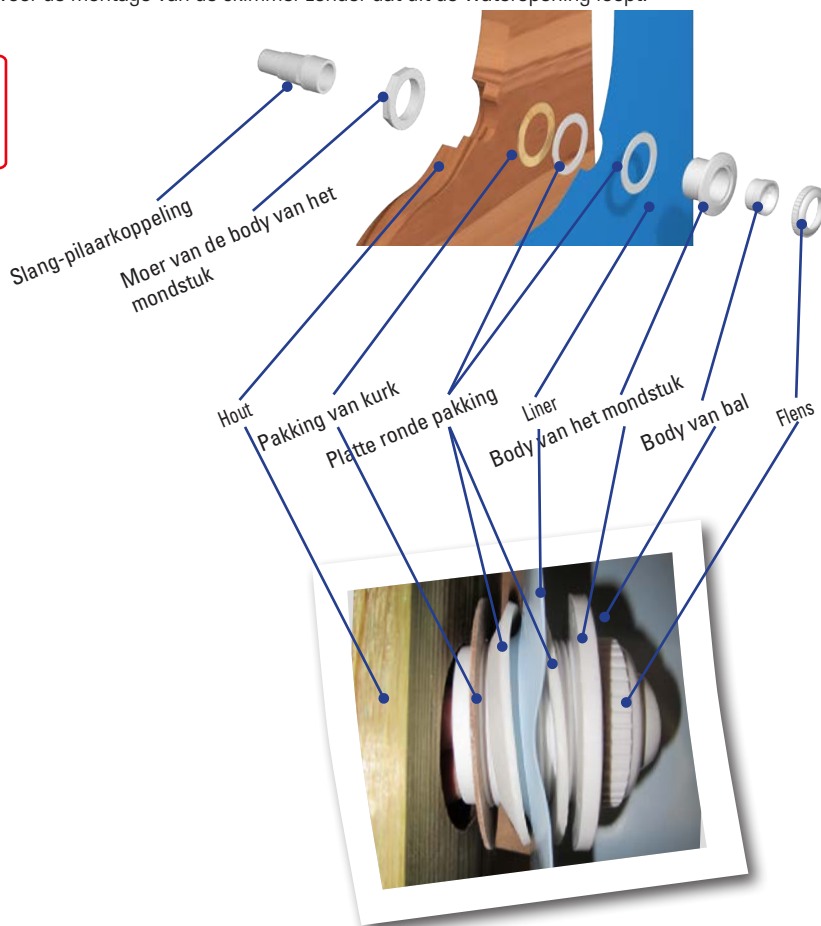
- Plaats de flens en schroef hem vast.

- Schroeft de slang-pilaarkoppeling vast die eerder al is uitgerust met teflon tape (niet bijgeleverd) aan de body van het mondstuk, via de buitenkant van het bassin.

- Sluit de filterleiding even kort aan op de slang-pilaarkoppeling (zie hoofdstuk over filtering) en plaats het vrije uiteinde boven de waterspiegel om verder te kunnen gaan met het vullen van het zwembad voor de montage van de skimmer zonder dat uit de wateropening loopt.



Installeer de filtering voordat u verder gaat met het afsnijden van de van de liner.



Bezoek ons op Youtube-kanaal zodat we u kunnen helpen bij de montage.

YouTube

SKIMMER



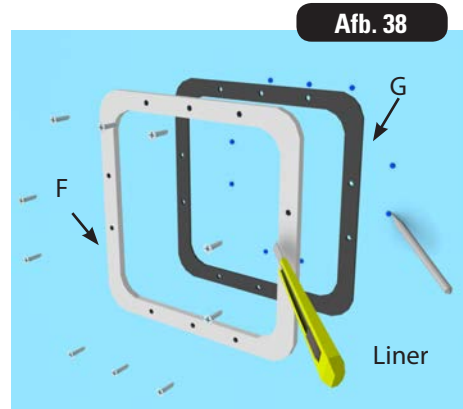
Lokaliseer en markeer de plaats van de schroeven



Plaats het verbindingsdeel op de flens



Schroef de flens vast en snijd de liner aan binnenzijde ervan los



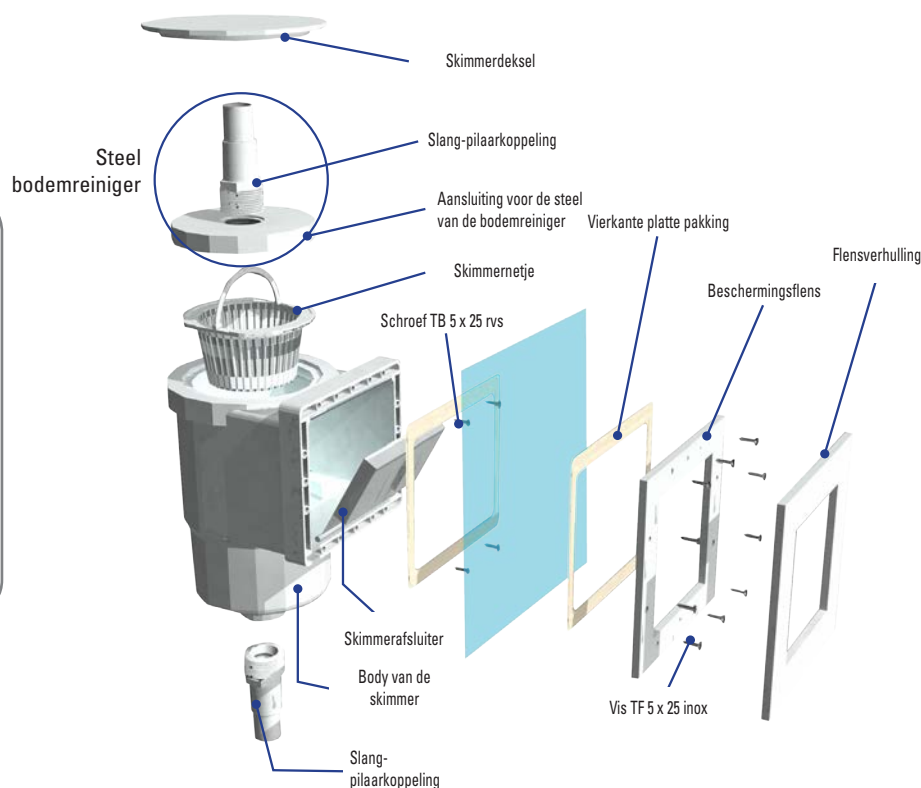
Afb. 38

- De liner moet strak gespannen zijn. Ga verder met de installatie totdat het water 10 cm onder de skimmer staat.
 - Voordat u verder gaat, verzeker u ervan dat de afsluiter van de skimmer is de juiste stand staan.
 - Markeer met een stift de stand van de bevestigingsschroeven op de liner.
 - Plaats de tweede, platte vierkante pakking (G) en vervolgens de flens (F) tegen de liner, en lijn de gaten uit met de plaatsmarkeringen van de schroeven.
 - Zet de flens vast (F) op de liner met de 10 schroeven TF 5 x 25 en begin met het bovenste gedeelte. De druk van de bevestigingspunten op de voering moet constant zijn (kruiselings klemmen)
 - De liner op maat snijden met een stanleymes aan de binnenzijde van de skimmer.
 - Op dit moment moet de filtering worden geïnstalleerd.
- Als het geheel vastzit, de liner langs de flens uitsnijden.



Bezoek ons op Youtube-kanaal zodat we u kunnen helpen bij de montage.

You Tube





BOQUILHA DE IMPULSÃO

• O liner deve estar bem esticado. Efetue a instalação até que a água chegue a 10 cm abaixo da boquilha de impulsão.

Corte do liner:

A- A partir do exterior do tanque, localize o centro da boquilha e assinale-o com a ajuda de um estilete.

B- A partir do interior do tanque, marque uma pequena cruz no sinal deixado pelo estilete.

C- Centre o conector canelado sobre esta cruz e trace o perímetro. Este é automaticamente inferior ao orifício da boquilha na madeira.

D- Efetue o corte do traçado com o estilete.

Montagem da boquilha:

• Segure o corpo da boquilha e a primeira junta plana com uma mão e com a outra a junta de cortiça e a segunda junta plana.

• A partir do exterior da piscina, introduza através do orifício da boquilha a junta plana e a de cortiça juntas, centrando-as relativamente ao eixo do orifício (a junta de cortiça do lado da madeira).

ATENÇÃO: segure as juntas para que não se deslizem entre a madeira e o liner.

• A partir do interior da piscina, introduza a boquilha dotado da sua junta plana pelo orifício. O corpo da boquilha deve ser introduzido sucessivamente pelo orifício do liner, a segunda junta plana, a junta de cortiça e o orifício da tábua.

• Finalize a instalação da boquilha aparafusando a partir do exterior a porca do corpo da boquilha (a face plana contra a madeira). Aperte razoavelmente, sem forçar demasiado, para segurar o liner entre as duas juntas planas.

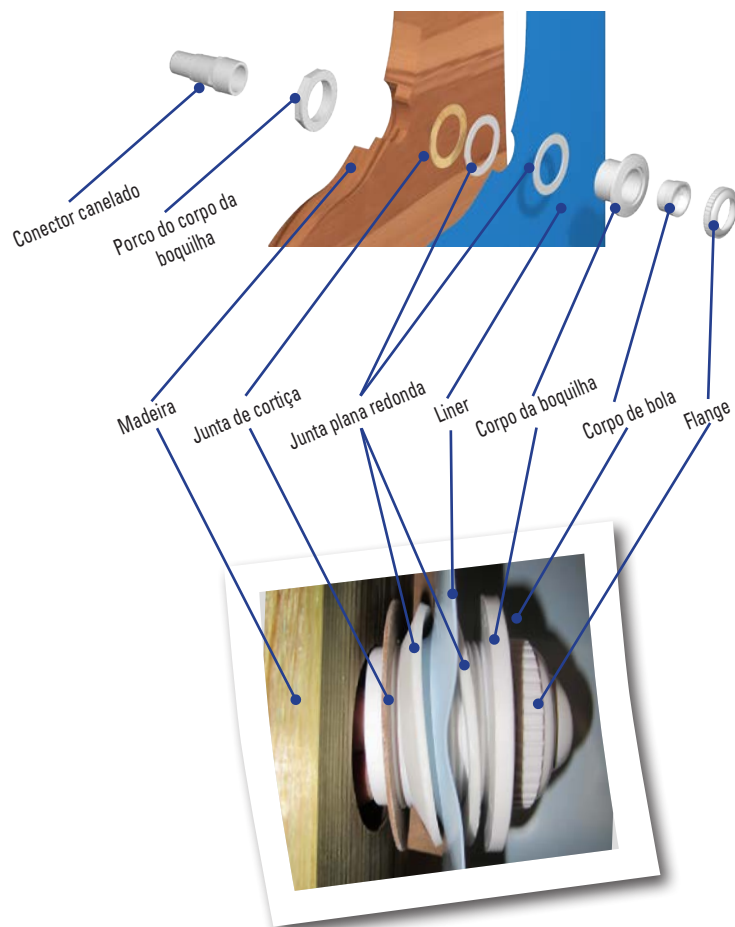
• Coloque o flange e aparafuse-o.

• Rosque o conector canelado previamente equipado com Teflão (não incluído) no corpo da boquilha, pelo lado exterior do tanque.

• Ligue momentaneamente o tubo de filtração ao conector canelado (ver capítulo de filtração) e situe o extremo livre por cima do nível da água para poder continuar com o enchimento da piscina para a montagem do skimmer sem que a água saia pela boquilha.



Instale a filtração antes de efetuar os cortes do liner.



Busque-nos no nosso canal do Youtube para o ajudar com a montagem.

You Tube

SKIMMER



Localize e assinale a localização dos parafusos



Coloque a junta sobre o flange



Aparafuse o flange e aligeire o liner

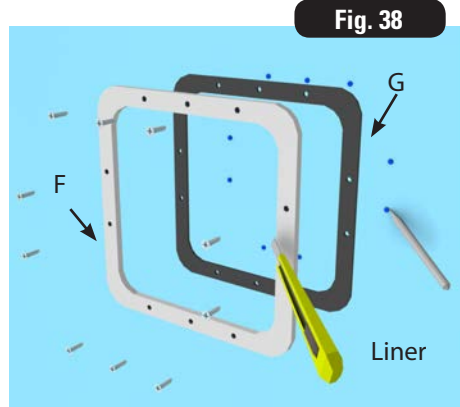
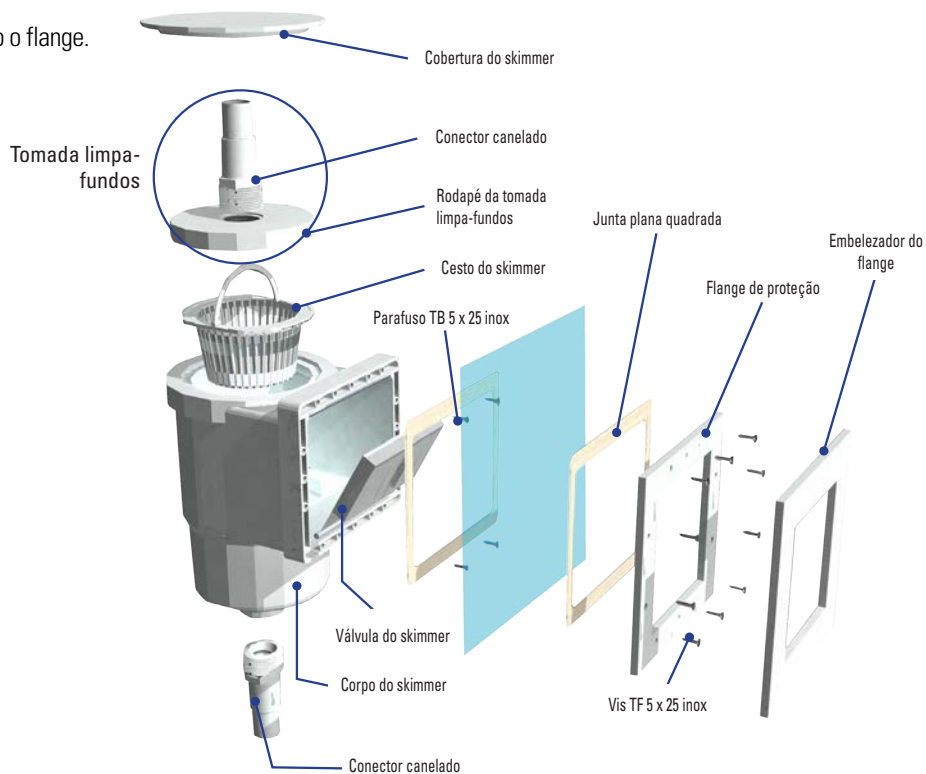


Fig. 38

- O liner deve estar bem esticado. Efetue a instalação até que a água chegue a 10 cm abaixo do skimmer.
 - Antes de começar, certifique-se de que a válvula do skimmer está bem posicionada.
 - Marque com um marcador a posição dos parafusos de fixação sobre o liner.
 - Coloque a segunda junta plana quadrada (G) e depois o flange (F) contra o liner, alinhando os orifícios com as marcas de localização dos parafusos.
 - Fixe o flange (F) sobre o liner com os 10 parafusos TF 5 x 25 a começar pela parte superior. A pressão dos pontos de fixação sobre o liner deve ser constante (fixação em cruz)
 - Corte o liner com um estilete pelo interior do skimmer.
 - Nesse momento, deve instalar a filtração.
- Após realizada a fixação, aligeire o liner seguindo o flange.



Busque-nos no nosso canal do Youtube para o ajudar com a montagem.

YouTube

EN

FILTER

ES

FILTRACIÓN

FR

FILTRATION

DE

FILTRATION

IT

FILTRAZIONE

NL

FILTERING

PT

FILTRAÇÃO

EN ASSEMBLY SUGGESTIONS: • The filter should be located at least 3.50 m from the pool.

The following diagrams explain the movement direction of the water. Check the manual that comes with the filter group for the assembly instructions. Note: Fill the filter with 2/3 of clean, calibrated sand: only one calibration is supplied guaranteeing good use of the filter. (1) The colours and connections of the filter can vary according to models. Check the specific manual



The multi-directional flap determines the flow direction. The marks "PUMP", "RETURN", "WASTE" are engraved on the inlets and outlets of the pump. The installation of all the electrical systems should comply with the NF-C15-100 regulation. Check with the manufacturer for any modification of one or several filter system components. The suction pump should not be situated above the water level, because there is a risk of becoming deactivated.

ES CONSEJOS DE MONTAJE: • La filtración deberá situarse a un mínimo de 3.50 m de la piscina.

Los esquemas a continuación pretenden explicar el sentido de circulación del agua. Consulte el manual incluido con el grupo de filtración para realizar el montaje. Nota: Rellene el filtro con 2/3 of de agua limpia y calibrada; solo se suministra un calibre, garantiza el buen funcionamiento de la filtración. (1) Los colores y las conexiones de los sistemas de filtración pueden variar según los modelos. Consulte el manual específico.



La trampilla multidireccional determina un sentido de circulación. Las marcas «PUMP» «RETURN» «WASTE» están grabadas en las entradas y en las salidas de la trampilla. La instalación de todos los sistemas eléctricos debe cumplir con la norma NF C15-100. Consulte con el fabricante cualquier modificación de uno o de varios componentes del sistema de filtración. La bomba de filtración no se debe situar por encima del nivel del agua porque corre el riesgo de desactivarse.

FR CONSEILS DE MONTAGE : • La filtration devra se situer à 3,50 m minimum de la piscine.

Sur schémas dans le suivant ont pour but d'expliquer le sens de circulation d'eau. Veuillez vous référer à la notice fournie avec le groupe de filtration pour en réaliser l'assemblage. Nota : Remplissez le filtre aux 2/3 avec le sable nettoyé et calibré : un seul calibre est livré, il assure un bon fonctionnement de la filtration. (1) Les coloris et connexions des systèmes de filtration peuvent différer selon les modèles. Se référer à la notice spécifique.



Votre vanne multi-voies dispose d'un sens de circulation. Des marquages "PUMP" "RETURN" "WASTE" sont gravés aux entrées et sorties de la vanne. L'installation de tout système électrique doit se faire en conformité avec la norme NF C15-100. Demander l'avis du fabricant pour toute modification d'un ou plusieurs composants du système de filtration. La pompe d'aspiration ne doit pas se situer au-dessus du niveau de l'eau car elle risque de se désamorcer.

DE TIPPS FÜR DIE MONTAGE : • Die Filtration muss mindestens 3,50 m vom Pool entfernt platziert werden.

Folgende Zeichnungen sollen die Richtung des Wasserkreislaufs erläutern. Für den Einbau lesen Sie bitte das Handbuch, das dem Filtrationsagregat beiliegt. Hinweis: Füllen Sie den Filter zu 2/3 mit sauberem und kalibriertem Sand: nur ein Kaliber wird geliefert, es garantiert den ordnungsgemäßen Betrieb der Filtration. (1) Farben und Anschlüsse der Filtrationssysteme können je nach Modell abweichen. Lesen Sie das entsprechende Handbuch.



Die Mehrrichtungsfalle bestimmt eine Richtung des Kreislaufs. Die Markierungen „PUMP“ „RETURN“ und „WASTE“ sind an den Eingängen und Ausgängen der Klappe eingraviert. Die Installation aller elektrischen Systeme muss die Richtlinie NF C15-100 erfüllen. Erkundigen Sie sich beim Hersteller bei etwaiger Abwandlung eines oder mehrerer Komponenten des Filtrationssystems. Die Ansaugpumpe darf nicht über dem Wasserspiegel platziert werden, da sonst die Gefahr besteht, dass sie deaktiviert wird.

IT CONSIGLI PER IL MONTAGGIO: • Il sistema di filtrazione deve essere posto ad almeno 3,50 m dalla piscina.

Gli schemi riportati di seguito vogliono spiegare il senso di circolazione dell'acqua. Consultare il manuale incluso con il sistema di filtrazione per effettuare il montaggio. Nota: Riempire il filtro con 2/3 di sabbia pulita e calibrata: il buon funzionamento della filtrazione è garantito solo utilizzando un calibre.



(1) I colori e le connessioni di sistemi di filtrazione possono variare in base ai modelli. Consultare l'apposito manuale. Lo sportello multidirezionale determina il senso di circolazione. Le scritte "PUMP" "RETURN" "WASTE" sono impresse negli ingressi e nelle uscite dello sportello. L'installazione di tutti gli impianti elettrici deve soddisfare i criteri NF C15-100. Consultare il produttore per qualsiasi modifica a uno o più componenti del sistema di filtraggio. La pompa di aspirazione deve essere posta sopra il livello dell'acqua per non farla spegnere.

NL MONTAGEAANWIJZINGEN: • De filtergroep moet worden geplaatst op minstens 3,50 m van het zwembad.

De onderstaande schema's zijn bedoeld om de richting van de watercirculatie te tonen. Raadpleeg de handleiding die bij de filtergroep is meegeleverd om de montage uit te voeren. Let op: Vul met filter voor 2/3 met schoon en gekalibreerd zand; gebruik slechts één calibre, dit garandeert de goede werking van de filtering. (1) De kleuren en de verbindingen van de filtersystemen kunnen per model verschillen. Raadpleeg de bijbehorende handleiding.



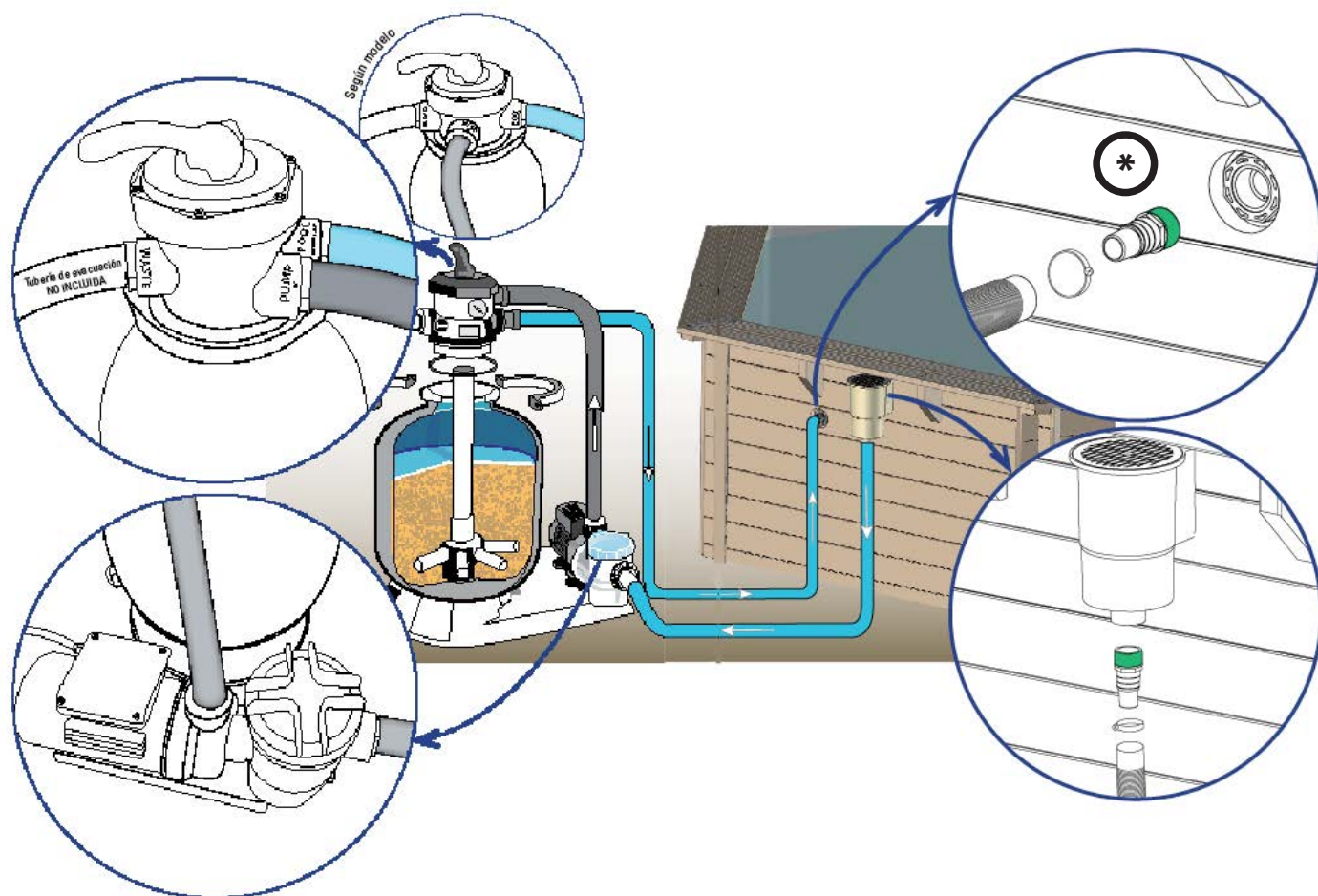
De multidirectionele afsluiter bepaalt een circulatierichting. De markeringen "PUMP" "RETURN" "WASTE" zijn afleesbaar aan de in- en uitgangen van de afsluiter. De installatie van alle elektrische systemen moet worden uitgevoerd overeenkomstig de norm NF C15-100. Neem contact op met de fabrikant voor ieder type aanpassing aan één of meerdere onderdelen van het filtersysteem. De aanzuigpomp mag zich niet boven de waterspiegel bevinden want dan bestaat de kans dat hij zichzelf uitschakelt.

PT CONSELHOS DE MONTAGEM: • A filtração deverá ser situada a um mínimo de 3,50 m da piscina.

Os esquemas abaixo pretendem explicar o sentido de circulação da água. Consulte o manual incluído com o grupo de filtração para realizar a montagem. Nota: Encha o filtro com 2/3 de areia limpa e calibrada; apenas é fornecido um calibre, garante um bom funcionamento da filtração. (1) As cores e as ligações dos sistemas de filtração podem variar segundo os modelos. Consulte o manual específico.



A válvula multidireccional determina um sentido de circulação. As marcas "PUMP" "RETURN" "WASTE" estão gravadas nas entradas e nas saídas da válvula. A instalação de todos os sistemas elétricos deve cumprir a norma NF C15-100. Consulte com o fabricante qualquer alteração de um ou de vários componentes do sistema de filtração. A bomba de aspirado não deve ser situada por cima do nível da água porque corre o risco de se desativar.



All the threaded connections should be assembled with the watertight Teflon tape included *, except the connection with O rings. The Teflon should be wound round the thread in a counter clockwise direction.

LAND-FILLING: Finish filling the pool The water level should be situated between the upper third part and the second half of the skimmer mouth.

Todas las conexiones roscadas deben montarse con la cinta estanca de Teflón incluida *, excepto las conexiones con junta tórica. El Teflón debe enrollarse en sentido contrario a la rosca.

TERRAPLENADO: Termine de llenar la piscina. El nivel de agua se situará entre el tercio superior y la mitad de la boca del skimmer.

Tous les raccords filetés sont à monter avec le ruban étanche téflon fourni *, excepté les raccords avec joint torique. Le téflon doit être enroulé dans le sens contraire du vissage.

REMPLISSAGE : Finissez de remplir la piscine. Le niveau d'eau final se situera entre le tiers supérieur et la moitié de la bouche du skimmer.

Alle Schraubverbindungen müssen mit dem bereitgestellten wasserdichten Teflonklebeband montiert werden *, außer Anschlüsse mit O-förmiger Dichtung. Das Teflon muss in der zur Spirale entgegengesetzten Richtung aufgerollt werden.

ANSCHÜTTUNG: Füllen Sie den Pool ganz auf. Der Wasserspiegel wird sich zwischen dem oberen Drittel und der Hälfte der Öffnung des Skimmers ansiedeln.

Tutte le connessioni filettate devono essere montate con il nastro a tenuta stagna di teflon incluso *, tranne le connessioni con guarnizione torica. Il Teflon deve arrotolarsi in senso contrario alla filettatura.

TERRAPIENO: Finire di riempire la piscina. Il livello dell'acqua deve essere tra il terzo superiore e la metà della bocca dello skimmer.

Alle schroefverbindingen moeten worden gemonteerd met bijgeleverd teflon antilekkage-tape *, behalve de verbindingen met O-ring. De teflontape moet tegen de schroefrichting in om de verbinding worden gerold.

TERREIN EFFENEN: Eindig met het vullen van het zwembad. De waterspiegel moet zich bevinden tussen het bovenste derde deel en het midden van de skimmermond.

Todas as uniões roscadas devem ser montadas com a fita estanque de Teflão incluída *, exceto as uniões com junta tórica. O Teflão deve enrolar-se no sentido contrário à rosca.

TERRAPLENAGEM: Termine de encher a piscina. O nível da água deverá estar entre o terço superior e a metade da boca do skimmer.

EN

SAND FILTER

ES

FILTRO DE ARENA

FR

FILTRE À SABLE

DE

SANDFILTER

IT

FILTRO PER LA SABBIA

NL

ZANDFILTER

PT

FILTRO DE AREIA

EN This is the oldest of filtering systems. The filtered water passes through the sand (calibrated silicon) that retains all impurities. This type of filter is equipped with a multi-directional flap that allows easy manipulations and cleaning.

DIFFERENT POSITIONS OF THE MULTI-DIRECTIONAL FLAP (4 OR 6)*: When you perform changes the position of the multi-directional flap that pump should always be stopped, without risking seriously damaging the filter and cancelling the guarantee.

1. FILTERING POSITION (OR FILTER): Usual position of the flap that allows the water coming from the pump to enter through the upper part of the filter and circulate through the same, where all its impurities are trapped. The water is collected in the mesh at the bottom and returned to the pool. The pressure gauge situated at the upper part of the filter allows controlling the pressure. In the case that the pressure increase 0.2 bar regarding the starting pressure, you will need to clean the filter.

ES Es el más antiguo de los sistemas de filtración. El agua filtrada pasa a través de la arena (silicio calibrado) que retiene todas las impurezas. Este tipo de filtro está equipado con una trampilla multidireccional que permite las manipulaciones y las limpiezas con facilidad.

DIFERENTES POSICIONES DE LA TRAMPILLA MULTIDIRECCIONAL (4 O 6)*: Cuando se realicen cambios en la posición de la trampilla multidireccional la bomba debe estar siempre detenida, sin que se corra el riesgo de dañar gravemente el filtro y se anule la garantía.

1. POSICIÓN FILTRACIÓN (O FILTER): Posición habitual de la trampilla que permite que el agua procedente de la bomba entre por la parte superior del filtro y circule a través de la arena, donde se recogen todas sus impurezas. El agua se recoge en la rejilla del fondo y se devuelve a la piscina. El manómetro situado en la parte superior del filtro le permite controlar la presión. En caso de que aumente 0,2 bares respecto a la presión de puesta en servicio, será necesario limpiar el filtro.

FR C'est le plus ancien des systèmes de filtration. L'eau filtrée passe à travers du sable (silice calibrée) qui retient toutes les impuretés. Ce type de filtre est équipé d'une vanne multivoies qui permet des manipulations et nettoyages très aisés.

LES DIFFERENTES POSITIONS DE LA VANNE MULTIVOIES (4 OU 6) * : Lors des changements de position de la vanne multivoies, la pompe doit toujours être à l'arrêt, sans quoi le filtre risque d'être gravement endommagé et sa garantie annulée.

1. POSITION FILTRATION (OU FILTER) : Position habituelle de la vanne qui permet à l'eau venant de la pompe de rentrer par le haut du filtre et de circuler à travers le sable où elle est débarrassée de ses impuretés. L'eau est récupérée par la crépine de fond et refoulée vers la piscine. Un manomètre situé sur la partie haute du filtre vous permet de contrôler la pression. Dès que celle-ci augmentera de 0,2 bars par rapport à la pression de mise en service, il faudra faire un nettoyage du filtre.

DE Es ist das älteste der Filtrationssysteme. Das gefilterte Wasser fließt durch den Sand (kalibriertes Silikon), der alle Verunreinigungen zurückhält. Diese Art von Filter ist mit einer Mehrrichtungsklappe ausgestattet, die einen leichten Umgang und eine einfache Reinigung ermöglicht.

VERSCHIEDENE POSITIONEN DER MEHRRICHTUNGSKLAPPE (4 ODER 6)*: Wenn Veränderungen an der Position der Mehrrichtungsklappe vorgenommen werden, muss die Pumpe stets angehalten werden, ohne dass die Gefahr besteht, dass der Filter ernsthaft beschädigt wird und die Garantie erlischt.

1. POSITION FILTRATION (ODER FILTER): Übliche Position der Klappe, die ermöglicht, dass das aus der Pumpe kommende Wasser durch den oberen Teil des Filters eintritt und durch den Sand fließt, in dem alle Verunreinigungen aufgefangen werden. Das Wasser wird in dem Siebkorb am Boden gesammelt und in den Pool zurückgeführt. Mit Hilfe des Druckanzeigers im oberen Teil des Filters lässt sich der Druck kontrollieren. Sollte er im Vergleich zum Druck bei Inbetriebnahme um 0,2 bar ansteigen, muss der Filter gereinigt werden.

IT Il più vecchio sistema di filtrazione. L'acqua filtrata passa attraverso la sabbia (siliceo calibrato) che trattiene tutte le impurità. Questo tipo di filtro è dotato di sportello multidirezionale che permette le manipolazione e la pulizia con facilità.

DIVERSE POSIZIONI DELLO SPORTELLLO MULTIDIREZIONALE (4 O 6)*: Quando si effettuato cambiamenti nella posizione dello sportello multidirezionale la pompa deve essere sempre essere fermata, altrimenti c'è il rischio di danneggiare gravemente il filtro e annullare la garanzia.

1. POSIZIONE FILTRAZIONE (O FILTER): Posizione abituale dello sportello che permette all'acqua proveniente dalla pompa entri dalla parte superiore del filtro e circoli attraverso la sabbia, dove si raccolgono tutte le impurità. L'acqua si raccoglie nella griglia del fondo e ritorna nella piscina. Il manometro collocato nella parte superiore del filtro permette di controllare la pressione. In caso che aumenti di 0,2 bar rispetto alla pressione di messa in servizio, sarà necessario pulire il filtro.

NL Dit is het oudste van alle filtersystemen. Het te filteren water passeert door zand (gekalibreerd silicium) dat alle onzuiverheden vasthoudt. Dit type filter is voorzien van een multidirectionele afsluiter waardoor de bediening en het schoonmaken eenvoudig zijn uit te voeren.

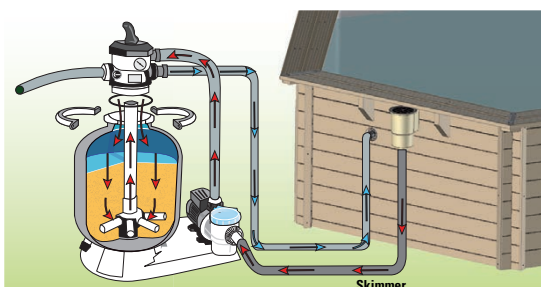
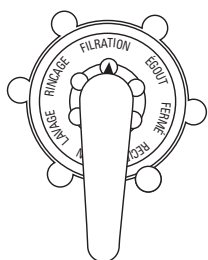
VERSCHILLENDE STANDEN VAN DE MULTIDIRECTIONELE AFSLUITER (4 OF 6)*: Wanneer er veranderingen worden aangebracht in de stand van de multidirectionele afsluiter, moet de pomp altijd zijn uitgeschakeld, zonder het risico te lopen dat het filter ernstige schade oploopt en de garantie vervalt.

1. STAND FILTERING (OF FILTER): Normale stand van de afsluiter die er voor zorgt dat het water dat uit de pomp komt via het bovenste deel van het filter binnenkomt en circuleert door het zand, waar alle onzuiverheden worden opgevangen. Het water wordt opgevangen in het rooster op de bodem en gaat terug naar het zwembad. De manometer die in het bovenste deel van het filter zit, stelt u in staat de druk te regelen. In het geval de druk met 0,2 bar toeneemt ten opzichte van de druk bij het in werking zetten, is het nodig om het filter schoon te maken.

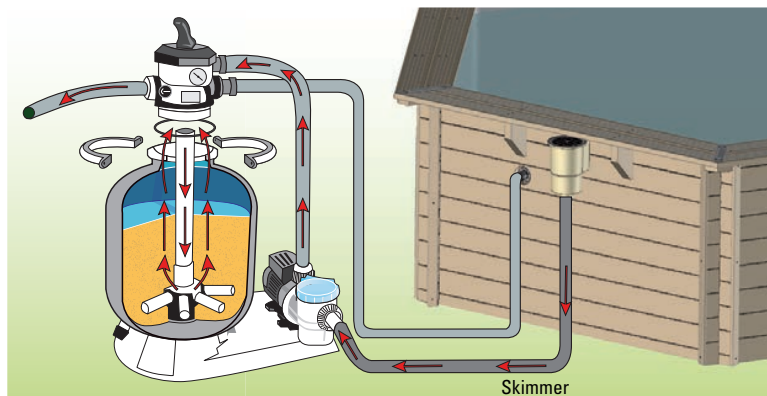
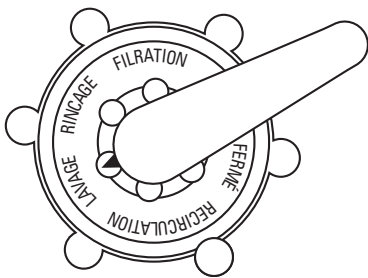
PT É o mais antigo dos sistemas de filtração. A água filtrada passa através da areia (sílica calibrada) que retém todas as impurezas. Este tipo de filtro está equipado com uma válvula multidireccional que permite realizar facilmente o manuseio e a limpeza.

DIFERENTES POSIÇÕES DA VÁLVULA MULTIDIRECCIONAL (4 ou 6)*: Quando forem realizadas alterações na posição da válvula multidireccional, a bomba deverá estar sempre detida, sem que se corra o risco de danificar gravemente o filtro e de que a garantia seja anulada.

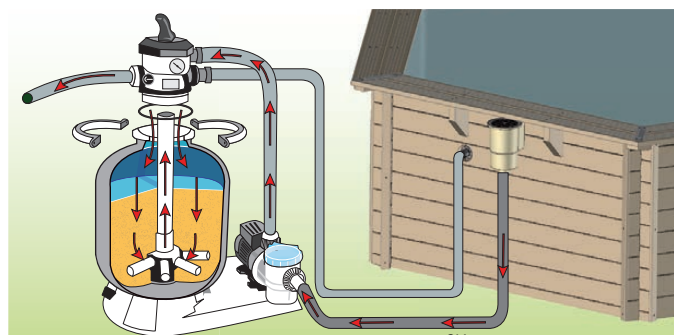
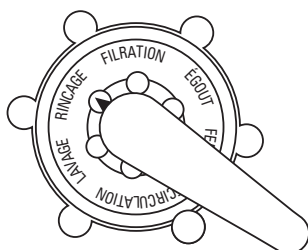
1. POSIÇÃO FILTRAÇÃO (OU FILTER): Posição habitual da válvula que permite que a água procedente da bomba entre pela parte superior do filtro e circule através da areia, onde todas as suas impurezas são recolhidas. A água é recolhida na grelha do fundo e restituída à piscina. O manómetro localizado na parte superior do filtro permite controlar a pressão. No caso de a pressão aumentar 0,2 bares relativamente à pressão de colocação em serviço, será necessário limpar o filtro.



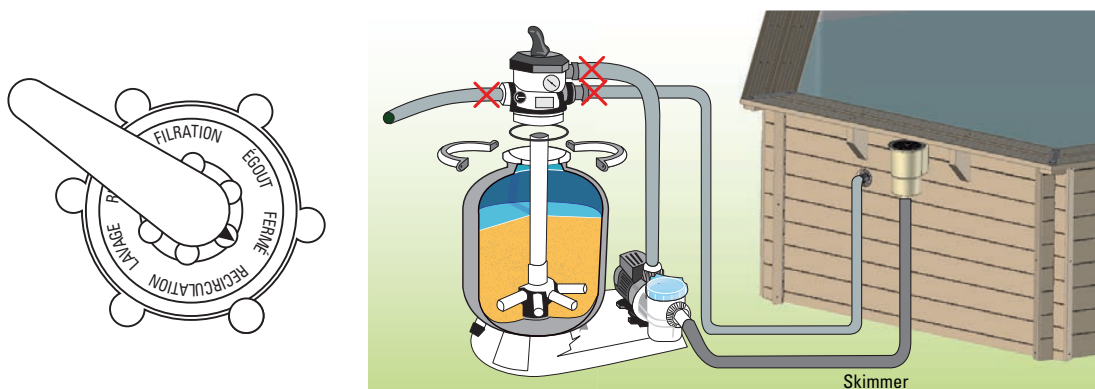
- EN 2. WASHING POSITION (OR BACKWASH):** Sand washing position. Allow the water to circulate in reverse direction in the filter. The water enters through the lower part of the filter elevates the filtering mass and therefore collects all its impurities and because they are lighter than sand, they are evacuated through the upper part of the filter towards the drain. This operation should last between 2 and 3 minutes.
- ES 2. POSICIÓN LAVADO (O BACKWASH):** Posición de limpieza de la arena. Permite que el agua circule en sentido inverso en el filtro. El agua entra por la parte inferior del filtro y hace que se levante la masa filtrante y por lo tanto se recojan sus impurezas que, al ser más ligeras que la arena, se evacúan por la parte alta del filtro hacia el desagüe. Esta operación deberá durar entre 2 y 3 minutos.
- FR 2. POSITION LAVAGE (OU BACKWASH):** Position de nettoyage du sable. Elle permet de faire circuler l'eau en sens inverse dans le filtre. L'eau entre par le bas du filtre et vient soulever la masse filtrante et ainsi débarrasser de ses impuretés qui, plus légères que le sable, sont évacuées par le haut du filtre vers l'égoût. Cette opération devra se faire pendant 2 à 3 minutes.
- DE 2. POSITION RÜCKSPÜLEN (ODER BACKWASH):** Position der Reinigung des Sandes. Ermöglicht, dass das Wasser in umgekehrter Richtung in den Filter fließt. Das Wasser tritt durch das untere Teil des Filters ein und sorgt dafür, dass die Filtermasse steigt und folglich seine Verunreinigungen gesammelt werden, die durch das obere Teil des Filters Richtung Abfluss entsorgt werden, da sie leichter sind als der Sand. Dieser Vorgang muss 2 bis 3 Minuten dauern.
- IT 2. POSIZIONE LAVAGGIO (O BACKWASH):** Posizione di pulizia della sabbia. Permette che l'acqua circoli nel senso contrario nel filtro. L'acqua entra nella parte inferiore del filtro e fa sollevare la massa filtrante e quindi le impurità si raccolgono, essendo più leggere della sabbia, ed escono dalla parte alta del filtro fino allo scarico. Questa operazione ha una durata di 2-3 minuti.
- NL 2. STAND WASSEN (OF BACKWASH):** Stand voor schoonmaken van het zand. Zorgt ervoor dat het water in omgekeerde richting door het filter circuleert. Het water komt binnen via de onderkant van het filter en dit zorgt ervoor dat de gefilterde vuil omhoog komt waardoor de onzuiverheden die veel lichter zijn dan het zand worden verzameld en via het bovenste deel kunnen worden afgevoerd naar de waterafvoer. Deze handeling zou tussen de 2 en 3 minuten moeten duren.
- PT 2. POSIÇÃO LAVAGEM (OU BACKWASH):** Posição de limpeza da areia. Permite que a água circule em sentido inverso no filtro. A água entra pela parte inferior do filtro e faz com que a massa filtrante se levante e, portanto, com que sejam recolhidas as suas impurezas, que, sendo mais leves do que a areia, são evacuadas pela parte alta do filtro para o esgoto. Esta operação deverá durar entre 2 e 3 minutos.



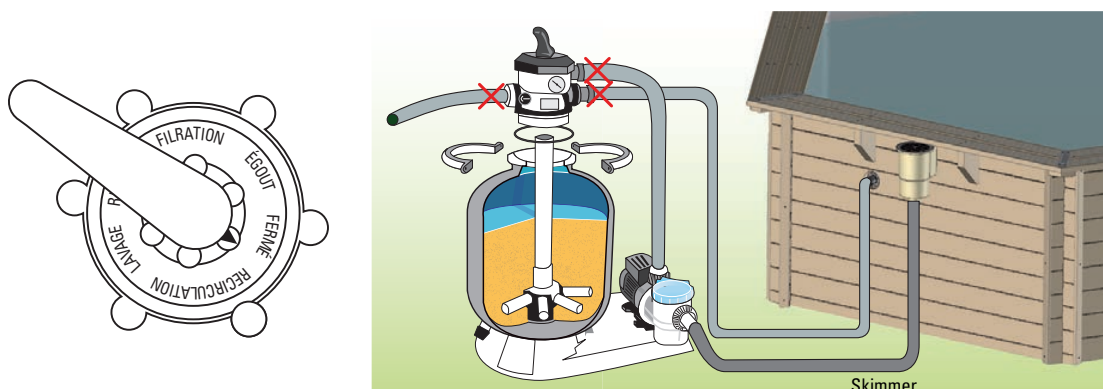
- EN 3. RINSE POSITION / DRAINING OF THE FILTER** (OR RINSE):** Operation that follows washing the filter. When you have cleaned the filter, you should rinse and re-compress the filtering mass. In this position the water circulates through the filter as in the filtering position but is evacuated through the drain at the filter outlet. This operation should be performed between 20 and 30 seconds.
- ES 3. POSICIÓN ACLARADO / DESAGÜE DEL FILTRO** (O RINSE):** Operación que sigue al lavado del filtro. Cuando se ha limpiado el filtro, es imprescindible aclarar y volver a apretar la masa filtrante. En esta posición el agua circula por el filtro como durante la filtración pero se evacua por el desagüe en la salida del filtro. Esta operación se debe efectuar entre 20 y 30 segundos.
- FR 3. POSITION RINÇAGE / FILTRE ÉGOUT** (OU RINSE):** Opération qui suit le lavage du filtre. Lorsque le filtre a été nettoyé, il est indispensable de rincer et de retasser la masse filtrante. Dans cette position, l'eau chemine dans le filtre comme en filtration mais est évacuée à l'égoût en sortie du filtre. Cette opération devra se faire pendant 20 à 30 secondes.
- DE 3. POSITION AUSSPÜLEN / DRAINAGE DES FILTERS** (ODER RINSE):** Vorgang, der auf die Reinigung des Filters folgt. Wenn der Filter gesäubert worden ist, muss er ausgespült und die Filtermasse erneut festgedrückt werden. In dieser Position fließt das Wasser durch den Filter wie während der Filtration, doch am Filterausgang wird es durch den Abfluss abtransportiert. Dieser Vorgang muss 20 bis 30 Sekunden durchgeführt werden.
- IT 3. POSIZIONE CHIARIFICAZIONE/SCARICO DEL FILTRO** (O RINSE):** Operazione che segue il lavaggio del filtro. Dopo aver pulito il filtro, è necessario chiarificare e comprimere la massa filtrante. In questa posizione l'acqua circola per il filtro come durante la filtrazione però esce tramite lo scarico all'uscita del filtro. Questa operazione ha una durata di 20-30 secondi.
- NL 3. STAND TERUGSPOELEN / AFVOEREN VAN HET FILTER** (OF RINSE):** Handeling die volgt op het wassen van het filter. Wanneer het filter is gewassen, is het van het grootste belang dat het gefilterde vuil wordt nagewassen en het filtervuil wordt verzameld. In deze stand circuleert het water door het filter zoals tijdens het filteren maar gaat naar buiten via de afvoer in de uitlaat van het filter. Deze handeling moet tussen de 20 en 30 seconden worden uitgevoerd.
- PT 3. POSIÇÃO ENXAGUADELA / ESCOAMENTO DO FILTRO ** (OU RINSE):** Operação que se segue à lavagem do filtro. Quando o filtro já foi limpo, é imprescindível enxaguar e apertar novamente a massa filtrante. Nesta posição, a água circula pelo filtro como durante a filtração, mas evacua-se pelo esgoto na saída do filtro. Esta operação deve ser efetuada entre 20 e 30 segundos.



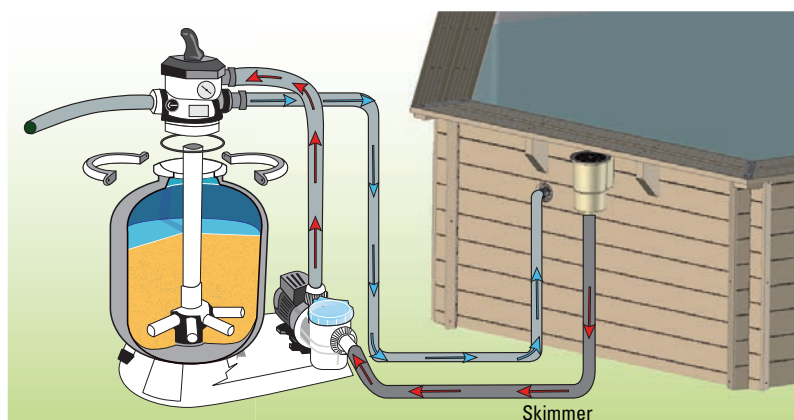
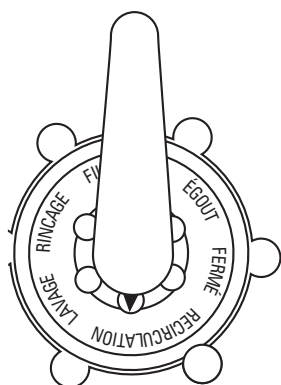
- EN 4. EMPTYING POSITION / DRAIN (OR WASTE):** Position to evacuate the water of for emptying the pool. In this case, the water does not pass through the filter, it goes directly to the drain.
- ES 4. POSICIÓN VACIADO / DESAGÜE (O WASTE):** Posición para evacuar el agua o para vaciar el vaso. En este caso, el agua no pasa por el filtro, sale directamente por el desagüe.
- FR 4. POSITION VIDANGE / ÉGOUT (OU WASTE):** Position pour évacuer l'eau ou vidanger le bassin. Dans ce cas, l'eau ne passe pas par le filtre, elle est évacuée directement à l'égout.
- DE 4. POSITION LEEREN / ABFLUSS (ODER WASTE):** Position, in der das Wasser abgelassen oder das Becken entleert wird. In diesem Fall fließt das Wasser nicht durch den Filter, sondern direkt durch den Abfluss.
- IT 4. POSIZIONE SVUOTAMENTO / SCARICO (O WASTE):** Posizione per far uscire l'acqua o per svuotare la vasca. In questo caso, l'acqua non passa per il filtro, esce direttamente dallo scarico.
- NL 4. STAND LOZEN / WATERAFVOER (OF WASTE):** Stand voor de afvoer van water of om het bassin leeg te laten lopen. In dit geval passeert het water niet door het filter, maar gaat meteen naar de waterafvoer.
- PT 4. POSIÇÃO ESVAZIAMENTO / ESCOAMENTO (OU WASTE):** Posição para evacuar a água ou para esvaziar o tanque. Nesse caso, a água não passa pelo filtro, sai diretamente pelo esgoto.



- EN 5. CLOSED POSITION (OR CLOSED):** This position does not allow the water to pass and is used to put the pool into complete wintering when the filtering stops.
- ES 5. POSICIÓN CERRADA (O CLOSED):** Esta posición no permite que el agua pase y se utiliza para poner la piscina en invierno completo cuando se detiene la filtración.
- FR 5. POSITION FERMÉE (OU CLOSED):** Cette position ne permet aucun passage d'eau et est utilisée pour mettre la piscine en hivernage complet lorsque l'on arrête la filtration.
- DE 5. POSITION GESCHLOSSEN (ODER CLOSED):** Diese Position verhindert, dass Wasser durchfließt, und wird für die komplette Überwinterung des Pools verwendet, wenn die Filtration gestoppt wird.
- IT 5. POSIZIONE CHUSA (O CLOSED):** Questa posizione non permette all'acqua di passare e si utilizza per mettere la piscina in inverno completo quando si ferma la filtrazione.
- NL 5. STAND GESLOTEN (OF CLOSED):** Deze stand voorkomt dat het water passeert; deze stand wordt gebruikt om het zwembad totaal winterklaar te maken wanneer de filtering wordt gestopt.
- PT 5. POSIÇÃO FECHADA (OU CLOSED):** Esta posição não permite que a água passe e é utilizada para colocar a piscina em hibernação completa quando a filtração é detida.



- EN 6. RECIRCULATION POSITION / CIRCULATION**:** Position used so the water circulates through the hydraulic network without passing through the filter. This possibility is used to move the water if you want to add a product to the pool or if you should perform any operation in the filter, because in this case the filter is isolated and the water coming from the pump is directly expelled.
* Some models are delivered with 4-way flap (available options: Filtering, Washing, Emptying/drain Closed or wintering).
** These positions refer exclusively to the 6-way flap.
- ES 6. POSICIÓN RECIRCULACIÓN / CIRCULACIÓN**:** Posición empleada para que el agua circule por la red hidráulica sin pasar por el filtro. Esta posibilidad se emplea para revolver el agua si debe añadirse un producto en la piscina o si se debe efectuar alguna operación en el filtro, dado que en este caso el filtro está aislado y el agua procedente de la bomba se expulsa directamente.
* Algunos modelos se entregan con una trampilla de 4 vías (opciones disponibles: Filtración, Lavado, Vaciado/desagüe Cerrado o invierno).
** Estas posiciones se refieren exclusivamente a la trampilla de 6 vías.
- FR 6. POSITION RECIRCULATION / CIRCULATION**:** Position utilisée pour que l'eau circule dans le réseau hydraulique sans passer par le filtre. Cette possibilité est utilisée pour brasser l'eau si un produit doit être introduit dans la piscine ou lorsqu'une intervention sur le filtre est à réaliser, car ici le filtre est isolé et l'eau venant par la pompe est rejetée directement.
* Certains modèles sont livrés avec une vanne 4 voies (positions disponibles : Filtration, Lavage, Vidange/égout, Fermée ou hivernage)
** Cette position concerne exclusivement la vanne 6 voies.
- DE 6. POSITION UMWÄLZEN / UMLAUF**:** Diese Position wird eingesetzt, damit das Wasser durch das Wassersystem fließt, ohne den Filter zu passieren. Diese Option wird verwendet, um das Wasser durchzumischen, wenn dem Pool ein Produkt zugegeben werden muss oder wenn am Filter ein Vorgang durchgeführt werden muss, denn in diesem Fall ist der Filter isoliert und das Wasser, das von der Pumpe kommt, wird direkt ausgestoßen.
* Einige Modelle werden mit einer 4-Wege-Klappe geliefert (verfügbare Optionen: Filtration, Reinigung, Entleeren/Abfluss Geschlossen oder Überwinterung).
** Diese Positionen gelten ausschließlich für die 6-Wege-Klappen.
- IT 6. POSIZIONE RICIRCOLO/CIRCOLO**:** Posizione utilizzata affinché l'acqua circoli nella rete idraulica senza passare per il filtro. Questa opzione si utilizza per mescolare l'acqua se si deve aggiungere un prodotto nella piscina o se si deve effettuare qualche operazione nel filtro, dato che in questo caso il filtro è isolato e l'acqua che arriva dalla pompa viene direttamente espulsa.
* Alcuni modelli sono consegnati con uno sportello a 4 vie (opzioni disponibili: Filtrazione, Lavaggio, Svuotamento/Scarico Chiusa o invernaggio).
** Queste posizioni si riferiscono unicamente allo sportello a 6 vie.
- NL 6. STAND RECIRCULATIE / CIRCULATIE**:** Stand die wordt gebruikt opdat het water door het waternetwerk circuleert zonder door het filter te passeren. Deze mogelijkheid wordt toegepast om het water terug te laten stromen wanneer er een product aan moet worden toegevoegd aan het zwembadwater of wanneer u een handeling aan het filter moet uitvoeren, want in dit geval is het filter geïsoleerd en het water dat via de pomp loopt wordt meteen weer in het zwembad geloosd.
* Enkele modellen worden geleverd met een 4-weg-afsluiter (beschikbare opties: Filtering, Wassen, Legen/Lozen, Sluiten of Winterklaar maken).
** Deze standen verwijzen enkel naar de 6-wegs-afsluiter.
- PT 6. POSIÇÃO RECIRCULAÇÃO / CIRCULAÇÃO**:** Posição utilizada para que a água circule pela rede hidráulica sem passar pelo filtro. Esta possibilidade é utilizada para remexer a água se um produto deve ser adicionado na piscina ou se alguma operação deve ser efetuada no filtro, dado que nesse caso o filtro está isolado e a água procedente da bomba é expulsa diretamente.
* Alguns modelos são fornecidos com uma válvula de 4 vias (opções disponíveis: Filtração, Lavagem, Esvaziamento/Escoamento Fechado ou Hibernação).
** Estas posições dizem respeito exclusivamente à válvula de 6 vias.



- ⚠ You should never manoeuvre the multi-directional flap when the pump is working.
- ⚠ Nunca se debe manejar la trampilla multidireccional cuando la bomba está en funcionamiento.
- ⚠ La vanne multivoies ne devra jamais être manoeuvrée lorsque la pompe est en marche.
- ⚠ Die mehrrichtungsklappe darf nie bedient werden, wenn die Pumpe läuft.
- ⚠ Non si deve mai maneggiare lo sportello multidirezionale mentre la pompa è in funzione.
- ⚠ De multidirectionele afsluiter mag nooit worden bediend wanneer de pomp in werking is.
- ⚠ A válvula multidireccional nunca deve ser manuseada quando a bomba está em funcionamento.

EN

EDGES

Ref. 786226 (EG)

ES

BORDES

FR

MARGELLES

DE

RÄNDER

IT

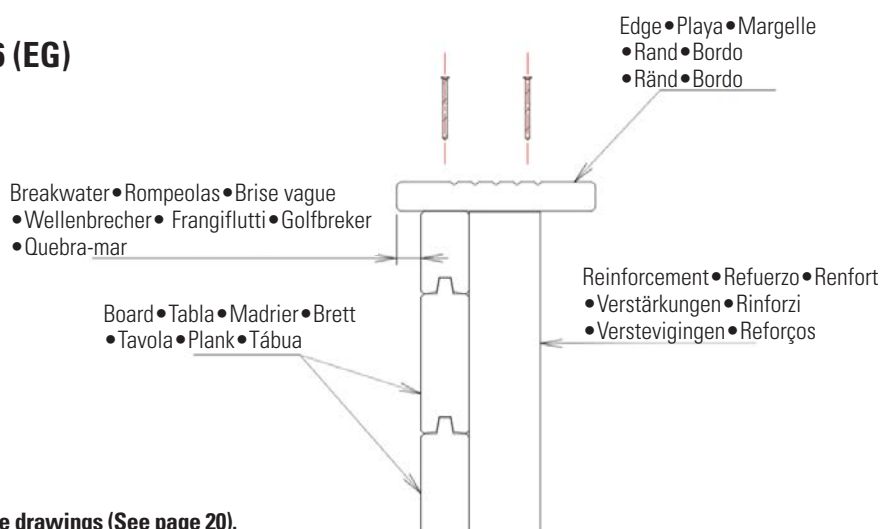
BORDI

NL

RANDEN

PT

BORDOS



EN EDGES: The ends of the ledge are cut at 67,5°. **Check the drawings (See page 20).**

PREPARATION

- Before affixing the ledge, position all of the sheets as a test (without screwing them in).
- Allow the ledge to hang over to the inside (to create a «splash guard»). Pay attention to splinters which may appear between the cutting and affixing of the ledges. Eliminate these splinters with sandpaper (not included).

FIXING

- The ledges must be previously perforated with a 4 mm Ø wood drill in order to achieve a firm and lasting hold with the reinforcements. For setup, use 4 x 60 mm Ø stainless steel screws; these must screw in obliquely (for outer parts) at the bottom of the grooves.
- When all of the ledges have been tightened, continue with leveling, beginning from a single point at the center of the ledges.
- Finish leveling all ledges.
- The location of the screws is set next on the points of the plane.

PLATE UNDER LEDGES

- Place the wooden plates under the corners of the ledges and affix them using the 4 screws (4 x 40).

ES PLAYAS: Los extremos del borde están cortados a 67,5°. **Consulte los planos (Ver página 20).**

PREPARACIÓN

- Antes de fijar el borde, proceda a posicionar todas las láminas de prueba (sin atornillarlas).
- Deje que el borde sobrepase hacia el interior (para crear un «rompeolas»). Preste atención a las astillas que puedan aparecer tras las operaciones de corte y fijación de los bordes. Elimine dichas astillas con lija (no incluida).

FIJACIÓN

- Es necesario perforar previamente los bordes con una broca para madera de Ø 4 mm para conseguir una fijación firme y duradera en los refuerzos. Para el montaje, utilice los tornillos inox Ø 4 x 60 mm que deberá atornillar oblicuamente (en caso de los exteriores) al fondo de las ranuras.
- Cuando haya ajustado todos los bordes, continúe con el nivelado empezando por un solo punto en el centro de los mismos.
- Termine el nivelado en todos los bordes.
- La ubicación de los tornillos está concretado en los puntos del plano a continuación.

PLACA BAJO LOS BORDES

- Coloque las placas de madera bajo los bordes en los ángulos y fíjelas mediante los 4 tornillos (4x40).

FR MARGELLES : Les extrémités de la margelle sont taillées à 67,5°. **Référez-vous aux plans (Voir page 20).**

PRÉPARATION

- Avant de fixer la margelle, procédez à un positionnement de toutes les lames à blanc, (sans les visser).
- Faites dépasser la margelle vers l'intérieur (de façon à créer un «brise vague»). Attention aux échardes pouvant éventuellement apparaître après les opérations de découpage et de fixation des marguelles. Supprimer ces échardes à l'aide d'un papier abrasif (non fourni).

FIXATION

- Pour obtenir une fixation ferme et durable dans les renforts, un pré perçage avec un foret à bois Ø 4 mm sur les margelles est nécessaire. Pour l'assemblage, utilisez les vis inox Ø 4 x 60 mm que vous visserez de biais (pour les 2 vis extérieures), en fond de rainures.
- Lorsque toutes les margelles sont réglées, procédez au vissage en commençant par seulement un point au centre des margelles.
- Complétez le vissage sur toutes les margelles.
- L'emplacement des vis est matérialisé vou page suivante.

PLAQUE SOUS MARGELLES

- Positionnez les plaques bois sous margelles au niveau des angles et fixez-les à l'aide des 4 vis (4x40).

DE RÄNDER: Die Enden des Randes werden auf 67,5° gekürzt. **Betrachten Sie die Zeichnungen (Siehe Seite 20).**

VORBEREITUNG

- Vor Befestigen des Randes positionieren Sie alle Testlamellen (ohne sie anzuschrauben).
- Lassen Sie den Rand nach innen hin überstehen (um eine Art «Wellenbrecher» zu schaffen). Achten Sie auf Späne, die nach Zuschnitt und Befestigung der Ränder gegeben falls auftreten können. Beseitigen Sie diese Späne mit Sandpapier (nicht im Lieferumfang enthalten).

BEFESTIGUNG

- Es ist notwendig, die Ränder mit einem Holzbohrer mit 4 mm Ø vorher zu durchbohren, um an den Verstrebungen eine feste und dauerhafte Befestigung zu erzielen. Für die Montage verwenden Sie rostfreie Schrauben Ø 4 x 60 mm, die Sie (im Falle der äußeren Schrauben) schräg am Boden der Nuten einschrauben müssen.
- Wenn Sie alle Ränder angepasst haben, fahren Sie mit der Nivellierung fort, indem Sie an einem einzigen Punkt in deren Mitte beginnen.
- Beenden Sie die Nivellierung an allen Rändern.
- Die Position der Schrauben ist an den Punkten des folgenden Diagramms angegeben.

PLATTE UNTER DEN RÄNDERN

- Setzen Sie die Holzplatten unter die Ränder in den Ecken und befestigen Sie sie mit 4 Schrauben (4 x 40).

IT BORDI: Le estremità del bordo vengono tagliate a 67,5°. **Consultare i disegni (Vedere a pagina 20).**

PREPARAZIONE

- Prima di fissare il bordo posizionare tutte le lamine di prova (senza avvitare).
- Lasciare una parte di bordo all'interno (per creare un «frangiflutti»). Prestare attenzione ai frammenti eventualmente prodotti a seguito delle operazioni di taglio e fissaggio dei bordi. Eliminarli con carta abrasiva (non inclusa).

FISSAGGIO

- E' necessario perforare preventivamente i bordi con una punta per legno con Ø 4 mm per ottenere un fissaggio stabile e duraturo sui punti di rinforzo. Per il montaggio utilizzare viti inox Ø 4 x 60 mm che devono essere avvitate in obliquo (nel caso di quelle esterne) in fondo alle scanalature.
- Una volta sistemati tutti i bordi proseguire con la livellatura iniziando da un unico punto al centro degli stessi.
- Terminare la livellatura in tutti i bordi.
- Il posizionamento delle viti viene illustrato nei punti riportati a continuazione.

PLACCHE AL DI SOTTO DEI BORDI

- Posizionare le placche in legno sotto ai bordi negli angoli e fissarle con le 4 viti (4x40).

NL RANDEN: De uiteinden van de randen worden afgezaagd op 67,5°. **Bekijk de plannen (Zie pagina 20).**

VOORBEREIDING

- Voordat de rand wordt vastgezet, verdergaan met het op hun plek zetten van alle tableaus in proefopstelling (zonder ze vast te schroeven).
- Laat de rand naar binnen toe uitsteken (om als "golfbreker" te kunnen fungeren). Let goed op of er splinters zijn ontstaan bij het zagen en vastzetten van de randen. Controleer de planken op de aanwezigheid van splinters. Verwijder de splinters met schuurpapier (niet bijgeleverd).

BEVESTIGEN

- Het is nodig om vooraf gaten te boren in de randdelen, met een houtboor van Ø 4 mm om een stevige en duurzame fixatie te verkrijgen die de erop uitgeoefende krachten kan weerstaan. Voor de montage, gebruik de rvs-schroeven Ø 4 x 60 mm die schuin moeten worden ingeschroefd (in het geval van gebruik aan buitenzijde) aan de onderkant van de sleuven.
- Wanneer alle randdelen zijn ingepast, verdergaan met het aansluitend maken waarbij u begint op een enkel punt dat precies in het midden ligt.
- Beëindig het aansluitend maken steeds aan de randen.
- De plaatsing van de schroeven wordt uitgevoerd op de punten die zijn aangegeven in het volgende schema.

PLAAT ONDER DE RANDEN

- Plaats houtplaten onder de randen in de hoeken en zet ze vast met 4 schroeven (4x40).

PT BORDOS: Os extremos do bordo estão cortados a 67,5°. **Consulte os planos (Ver página 20).**

PREPARAÇÃO

- Antes de fixar o bordo, proceda a situar todas as lâminas de prova (sem aparafusá-las).
- Deixe que o bordo sobressaia para o interior (a fim de criar um «quebra-mar»).

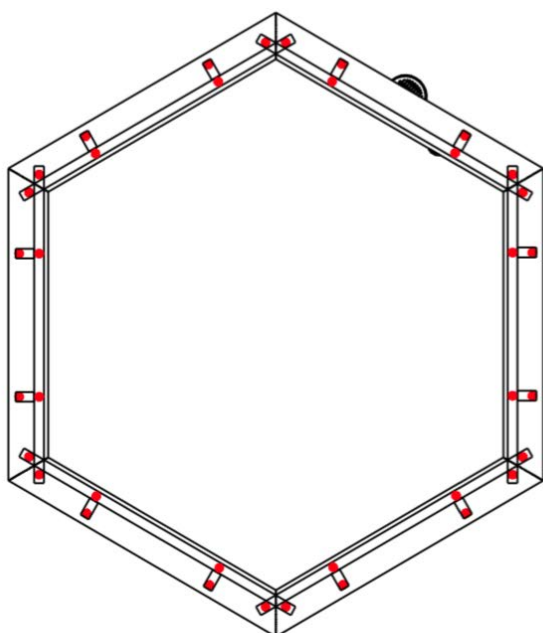
Preste atenção às lascas que puderem surgir depois das operações de corte e fixação dos bordos. Remova as referidas lascas com uma lixa (não incluída).

FIXAÇÃO

- É necessário furar previamente os bordos com uma broca para madeira de Ø 4 mm a fim de conseguir uma fixação firme e duradoura nos reforços. Para a montagem, utilize os parafusos inox Ø 4x60 mm que deverá aparafusar obliquamente (no caso dos exteriores) ao fundo das ranhuras.
- Quando tenha ajustado todos os bordos, continue com a nivelação, começando por um só ponto no centro dos mesmos.
- Termine a nivelação em todos os bordos.
- A localização dos parafusos está indicada nos pontos do plano abaixo.

PLACA SOB OS BORDOS

- Coloque as placas de madeira sob os bordos nos ângulos e fixe-as por meio dos 4 parafusos (4x40).



Fixing of the plates
Fijación de los tacos bajo las placas
Fixation de la plaque sous margelles
Befestigung der Platten unter den Rändern
Fissaggio delle piastre sotto i bordi
Bevestiging van de platen onder de randen
Fixação das placas sob os bordos



Fixing of the edges
Colocación de las playas
Fixation des margelles
Befestigung der Ränder
Fissaggio dei bordi
Bevestiging van de randen
Fixação dos bordos

EN EDGES

The edge consists of 2 pieces, an inside one and an outside one. **Check the drawings (See page 20).**

PREPARATION

- Before fixing the edge, position all the pieces as a trial, checking the installation drawings at the end of the manual, without screwing them, to uniformly distribute the sets.
- Let the edge overlap towards the inside to create a «breakwater».

FIXING

- You should previously drill the edges with a Ø 4 mm bit for wood to obtain a firm and long-lasting fixing. Use Ø 4 x 60 mm stainless steel screws for the assembly, these should be obliquely screwed in (in the case of the exterior ones) to the bottom of the slits.
- When all the edges have been adjusted, continue with levelling the blocks of wood.

ES PLAYAS

El borde está compuesto de dos playas, una interior y otra exterior. **Consulte los planos (Ver página 20).**

PREPARACIÓN

- Antes de fijar la playa, proceda a posicionar todas las láminas de prueba, consultando el plano de instalación en el final del manual, sin atornillados, para poder repartir uniformemente los juegos.
- Deje que la playa sobrepase hacia el interior para crear un «rompeolas».

FIJACIÓN

- Es necesario perforar previamente las playas con una broca para madera de Ø 4 mm para conseguir una fijación firme y duradera. Para el montaje, utilice los tornillos inox Ø 4 x 60 mm que deberá atornillar oblicuamente (en caso de los exteriores) al fondo de las ranuras.
- Cuando haya ajustado todos los bordes, continúe con el nivelado de los tacos de madera.

FR MARGELLES

La margelle est composée de 2 lames, une intérieure, une extérieure. **Référez-vous aux plans (Voir page 20).**

PRÉPARATION

- Avant de fixer la margelle, procédez à un positionnement de toutes les lames à blanc, en vous aidant du plan d'implantation en fin de notice, sans les visser, afin de répartir uniformément les jeux.
- Faites dépasser la margelle vers l'intérieur de façon à créer un «brise vague».

FIXATION

- De manière à obtenir une fixation ferme et durable, un pré perçage avec un foret à bois Ø 4 mm sur les margelles est nécessaire. Pour l'assemblage, utilisez les vis inox Ø 4 x 60 mm que vous visserez de biais (pour les 2 vis extérieures), en fond de rainures.
- Lorsque toutes les margelles sont réglées, procédez au vissage au niveau des consoles

DE RÄNDER

Der Rand besteht aus 2 Lamellen, eine innere und eine äußere. **Betrachten Sie die Zeichnungen (Siehe Seite 20).**

VORBEREITUNG

- Vor der Befestigung des Rands positionieren Sie alle Testlamellen und betrachten Sie die Einbauzeichnung am Ende des Handbuches, ohne sie zu verschrauben, um die Spiele gleichmäßig verteilen zu können.
- Lassen Sie den Rand nach innen hin überstehen, um eine Art „Wellenbrecher“ zu schaffen.

BEFESTIGUNG

- Die Ränder müssen vorab mit einem Holzbohrer mit 4 mm Ø durchbohrt werden, um eine feste und dauerhafte Befestigung zu erreichen. Für die Montage verwenden Sie rostfreie Schrauben Ø 4 x 60 mm, die Sie schräg (im Falle der äußeren) am Boden der Nuten einschrauben müssen.
- Wenn alle Ränder eingepasst sind, fahren Sie mit der Verschraubung der Konsolen fort.

IT BORDI

Il bordo è composto da 2 lastre, una interna e una esterna. **Consultare i disegni (Vedere a pagina 20).**

PREPARAZIONE

- Prima di fissare il bordo, posizionare tutte le lastre di prova, consultando lo schema di installazione alla fine del manuale, senza avvitarle, per poter suddividere equamente le viti.
- Lasciare che il bordo superi verso l'interno per creare un «frangiflutti».

FISSAGGIO

- È necessario forare prima i bordi con una punta per legno di Ø 4 mm per poter procedere con un fissaggio stabile e duraturo. Per il montaggio, utilizzare le viti in acciaio inossidabile Ø 4 x 60 mm che dovranno essere avvitate obliquamente (se esterne) al fondo delle scanalature.
- Una volta regolati i bordi, continuare livellando i tasselli.

NL RANDEN

De rand is samengesteld uit 2 tableaus, een voor binnen en de ander voor buiten. **Bekijk de plannen (Zie pagina 20).**

VOORBEREIDING

Voordat de rand wordt vastgezet, gaat u verder met het in positie brengen van alle tableaus in proefopstelling, waarbij u het montageplan aan het einde van de handleiding volgt, zonder ze vast te schroeven, om de speling gelijkmatig te verdelen.

- Laat de rand naar binnen toe uitsteken om als «golfbreker» te fungeren.

BEVESTIGEN

- Het is nodig om in de randdelen vooraf gaten te boren met een houtboor van \varnothing 4 mm om een stevige en duurzame fixatie te bewerkstelligen. Voor de montage, gebruik de rvs-schroeven \varnothing 4 x 60 mm die schuin moeten worden ingeschroefd (in het geval van gebruik aan buitenzijde) aan de onderkant van de sleuven.
- Als u alle randen op hun plaats hebt gezet, doorgaan met vastschroeven op het niveau van de consoles.

PT BORDOS

O bordo é composto de 2 lâminas, uma interior e outra exterior. **Consulte os planos (Ver página 20).**

PREPARAÇÃO

Antes de fixar o bordo, coloque todas as lâminas de prova, consultando o plano de instalação no final do manual, sem aparafusá-las, para poder distribuir uniformemente os jogos.

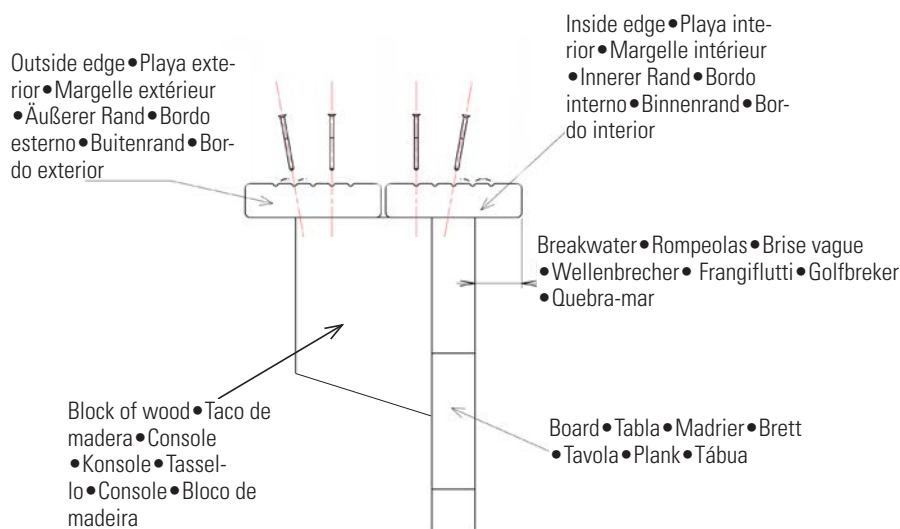
- Deixe que o bordo ultrapasse para o interior a fim de criar um «quebra-mar».

FIXAÇÃO

- É necessário furar previamente os bordos com uma broca para madeira de \varnothing 4 mm para conseguir uma fixação firme e duradoura. Para a montagem, utilize os parafusos inox \varnothing 4 x 60 mm que deverá aparafusar obliquamente (no caso dos exteriores) ao fundo das ranhuras.
- Quando tenha ajustado todos os bordos, continue com a nivelção dos blocos de madeira.



Fixing of the edges
Colocación de las playas
Fixation des margelles
Befestigung der Ränder
Fissaggio dei bordi
Bevestiging van de randen
Fixação dos bordos



Ref. 783331 (E) (EG) + Ref. 783333 (E)

EN PIECE UNDER THE EDGES

- Position the pieces of wood under the edges at the angles and fix them with 4 screws (4x40).

ES PLACA BAJO LAS PLAYAS

- Coloque las placas de madera bajo los bordes en los ángulos y fíjelas mediante los 4 tornillos (4x40).

FR PLAQUE SOUS MARGELLES

- Positionnez les plaques bois sous margelles au niveau des angles et fixez-les à l'aide des 4 vis (4x40).

DE PLATTE UNTER DEN RÄNDERN

- Setzen Sie die Holzplatten unter die Ränder in den Ecken und befestigen Sie sie mit 4 Schrauben (4x40).

IT PIASTRA SOTTO I BORDI

- Sistemare le piastre di legno sotto i bordi negli angoli e fissarle con 4 viti (4x40).

NL PLAAT ONDER DE RANDEN

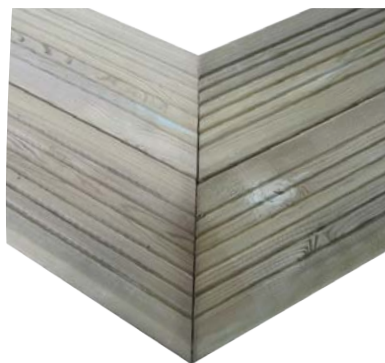
- Plaats houtplaten onder de randen in de hoeken en zet ze vast met 4 schroeven (4x40).

PT PLACA SOB OS BORDOS

- Coloque as placas de madeira sob os bordos nos ângulos e fixe-as por meio dos 4 parafusos (4x40).



Fixing of the plates
Fijación de los tacos bajo las placas
Fixation de la plaque sous margelles
Befestigung der Platten unter den Rändern
Fissaggio delle piastre sotto i bordi
Bevestiging van de platen onder de randen
Fixação das placas sob os bordos



Fixing of the edges
Colocación de las playas
Position des margelles
Positionierung der Ränder
Posizionamento dei bordi
Plaatsing van de randen
Colocação dos bordos

EN

FIXING OF THE STAINLESS STEEL LADDER

ES

FIJACIÓN DE LA ESCALERA INOXIDABLE

FR

FIXATION DE L'ECHELLE INOX

DE

BEFESTIGUNG TREPPE AUS ROSTFREIEM MATERIAL

IT

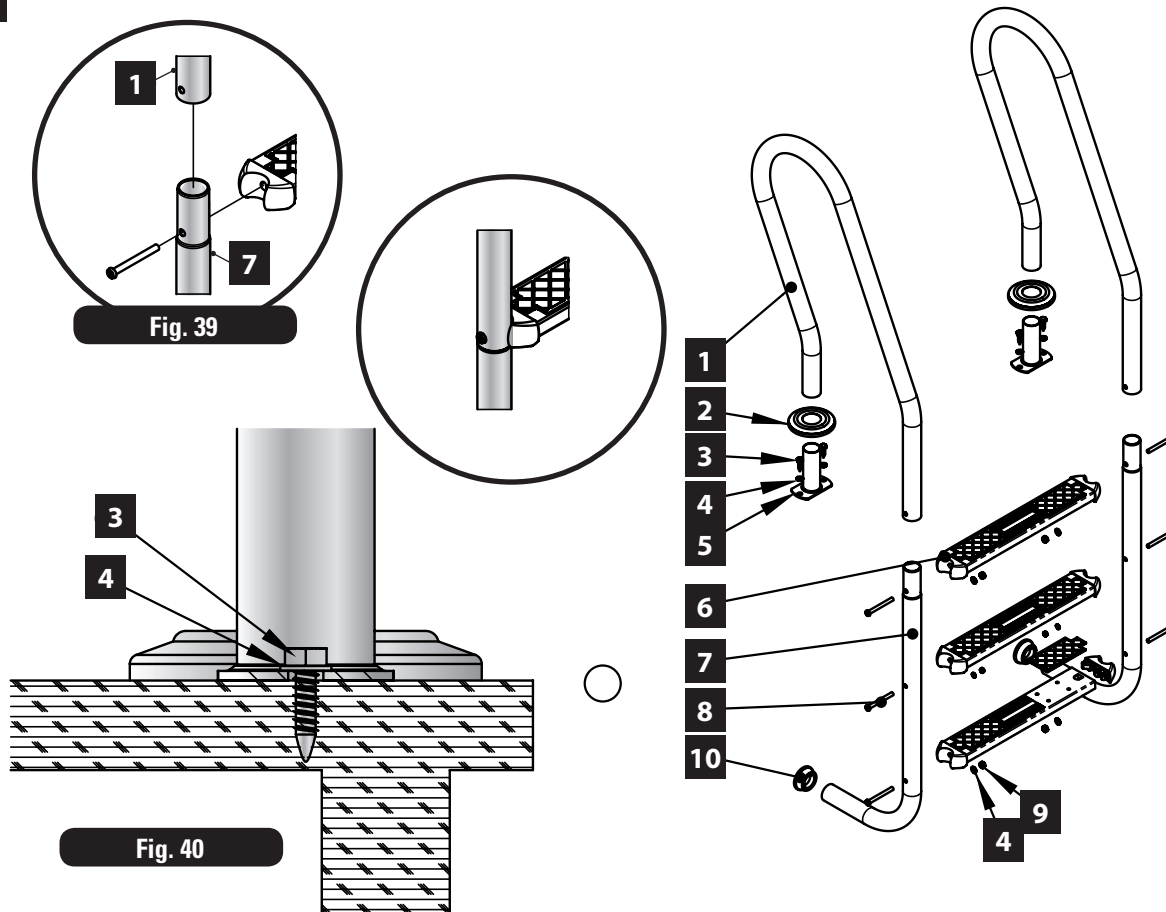
FISSAGGIO DELLA SCALA DI ACCIAIO INOSSIDABILE

NL

BEVESTIGING VAN DE RVS LADDER

PT

FIXAÇÃO DA ESCADA INOXIDÁVEL



• Models 786226 (EG) and 783331 (EG) do not include the wooden / steel staircase, check your pool kit to verify the ladder assembly.

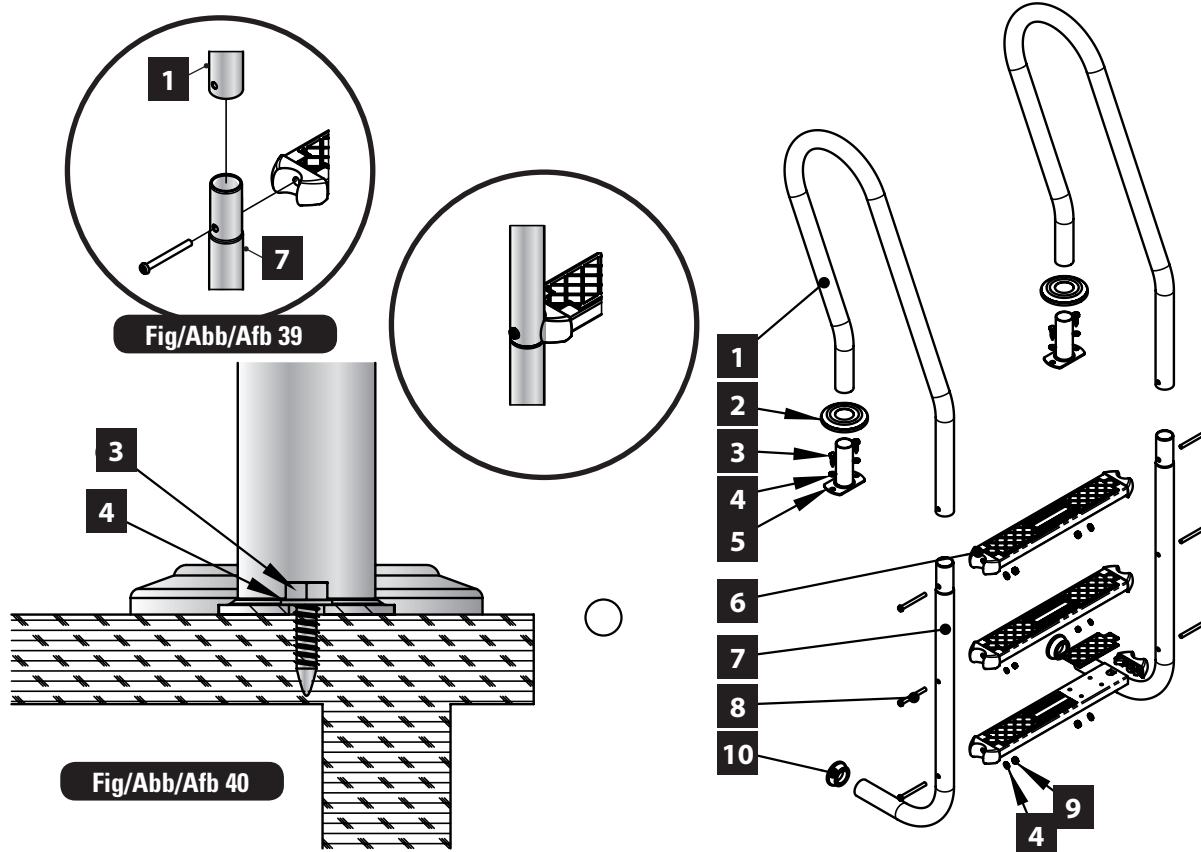
• Las Ref. 786226 (EG) y 783331 (EG) no incluyen la escalera madera/inox, consulte su kit de piscina para comprobar el montaje de su escalera.

EN

- Assemble the upper handrail (1) and lower (7) introducing one into the other (figure 39). Fix the steps (6) into the handrails using the bolts (8), the washers (4) and the nuts (9).
- Position plugs (10) into the handrails to avoid the stepladder damaging the wall of the pool.
- When you have assembled the stepladder, place it on the edge with the handrail support (5) as a template.
- Fix the handrail supports (5) using the screws (3) and the washers (4) (figure 40).
- Insert the trimmings (2).

ES

- Monte el pasamanos superior (1) e inferior (7) introduciendo una en la otra (figura 39). Sujete los escalones (6) en los pasamanos con ayuda de los pernos (8), de las arandelas (4) y de las tuercas (9).
- Coloque los tapones (10) en los pasamanos para evitar que la escalera dañe la pared de la piscina.
- Cuando haya montado la escalera, colóquela en el borde con el soporte del pasamanos (5) como patrón.
- Fije los soportes del pasamanos (5) con ayuda de los tornillos (3) y de las arandelas (4) (figura 40).
- Inserte los embellecedores (2).



• Die Referenznummern 786226 (EG) und 783331 (EG) umfassen nicht die Holz-/Stahltrappe, kontrollieren Sie Ihren Pool-Bausatz zur Prüfung des Leiterbausatzes.

• I riferimenti 786226 (EG) e 783331 (EG) non includono la scaletta in legno / acciaio, verificare all'interno del kit la tipologia di elemento fornito.

• De referenties 786226 (EG) en 783331 (EG) worden niet geleverd met houten/metalen trap, kijk uw zwembadkit na om de trapset te controleren.

• As referências 786226 (EG) e 783331 (EG) não incluem a escada de madeira / aço, verifique o seu kit de piscina para verificar o conjunto de escada.

FR • Assembler la rampe supérieure (1) et inférieure (7) en les introduisant l'une dans l'autre (figure 39). Fixer les marches (6) aux rampes à l'aide des boulons (8), des rondelles (4) et des écrous (9).

- Positionner les tampons (10) sur les rampes pour éviter que l'échelle puisse abîmer la paroi de la piscine.
- Une fois l'échelle assemblée, positionner celle-ci sur la margelle en utilisant le support de rampe (5) comme gabarit.
- Fixer les supports de rampe (5) à l'aide des vis (3) et des rondelles (4) (figure 40).
- Insérer les enjoliveurs (2).

DE • Montieren Sie das obere Geländer (1) und das untere (7), indem sie eines in das andere stecken (Abb. 39). Befestigen Sie die Tritte (6) in den Geländern mit Hilfe der Bolzen (8), der Unterlegscheiben (4) und den Schrauben (9).

- Stecken Sie die Stöpsel (10) auf die Geländer, um zu vermeiden, dass die Treppe die Wand des Pools beschädigt.
- Nach dem Zusammenbau der Treppe befestigen Sie sie am Rand mit der Unterstützung des Geländers (5) als Muster.
- Befestigen Sie die Auflage des Geländers (5) mit Hilfe der Schrauben (3) und der Unterlegscheiben (4) (Abb. 40).
- Setzen Sie die Zierleisten (2) ein.

IT • Montare il corrimano superiore (1) e inferiore (7) inserendolo uno nell'altro (figura 39). Fissare i (6) gradini ai corrimano con l'aiuto di (8) perni e (4) rondelle e i nove dadi (9).

- Fissare i tappi (10) nei corrimano per evitare che le scale danneggino le pareti della piscina.
- Dopo aver montato la scala, posizionarla sul bordo con l'aiuto del corrimano (5) come modello.
- Fissare i supporti dei corrimano (5) con l'aiuto delle viti (3) e delle rondelle (4) (figura 40).
- Inserire le coperture (2).

NL • Monteer de bovenste trapleuning (1) en de onderste (7) door het ene deel in het andere te steken (afbeelding 39). Steek de sporten (6) in de trapleuningen met behulp van de bouten (8), de ringen (4) en de moeren (9).

- Plaats de doppen (10) op de leuningen om te voorkomen dat de trap de wand van het zwembad beschadigt.
- Wanneer de trap is gemonteerd, plaats haar aan de rand met de trapleuningsteun (5) volgens patroon.
- Zet de trapleuningsteunen vast (5) met behulp van de schroeven (3) en de ringetjes (4) (afbeelding 40).
- Plaats de sierlijsten (2).

PT • Monte o corrimão superior (1) e inferior (7) introduzindo uma na outra (figura 39). Fixe os degraus (6) nos corrimãos com a ajuda dos parafusos (8), das arruelas (4) e das porcas (9).

- Coloque os tampões (10) nos corrimãos para evitar que a escada danifique a parede da piscina.
- Quando tenha montado a escada, coloque-a no bordo com o suporte do corrimão (5) como padrão.
- Fixe os suportes do corrimão (5) com a ajuda dos parafusos (3) e das arruelas (4) (figura 40).
- Insira os embelezadores (2).

IDENTIFICATION/IDENTIFICACIÓN/REPÈRE/KENNZEICHNUNG/IDENTIFICAZIONE/IDENTIFICAÇÃO	DENOMINATION/DENOMINACIÓN/DÉSIGNATION/BEZEICHNUNG/DENOMINAZIONE/BENAMING/DENOMINAÇÃO	CTD/QTÉ/ANZ/AANT/TD
1	Upper handrail • Pasamanos superior • Rampe supérieure • Oberes Geländer • Corrimano superiore • Bovenste trapleuning • Corrimão superior	2
2	Trimming • Embellecedor • Enjoliveur • Zierleiste • Copertura • Sierlijsten • Embelezador	2
3	Screw Ø 8x30 mm • Tornillo Ø 8x30 mm • Vis Ø 8x30 mm • Schraube Ø 8 x 30 mm • Vite Ø 8x30 mm • Schroef Ø 8x30 mm • Parafuso Ø 8x30 mm	4
4	Washer • Arandela • Rondelle • Unterlegscheibe • Rondella • Leertje • Arruela	10
5	Handrail support • Soporte pasamanos • Support de rampe • Auflage des Geländers • Supporto del corrimano • Trapleuningsteun • Suporte de corrimão	2
6	Steps • Escalones • Marches • Stufen • Gradini • Sporten • Degraus	3
7	Lower handrail • Pasamanos inferior • Rampe inférieure • Unteres Geländer • Corrimano inferiore • Onderste trapleuning • Corrimão inferior	2
8	Bolt Ø 8x80 mm • Perno Ø 8x30 mm • Boulon Ø 8x80 mm • Bolzen Ø 8 x 80 mm • Morsetto Ø 8x80 mm • Bout Ø 8x80 mm • Parafuso Ø 8x80 mm	6
9	Nut • Tuerca • Ecrou • Mutter • Dado • Moer • Porca	6
10	Plug • Tapón • Tampon • Stöpsel • Tappo • Dop • Tampão	2

EN



A salt filter can cause degradation of your stainless steel stepladder and this is not covered by the guarantee.

Do not use the stepladder for other needs different to those indicated in this manual. Admitted maximum weight: 150 kg

ES



El uso de la filtración por sal puede provocar la degradación de su escalera inoxidable y no será asumida por la garantía.

No utilice la escalera para otros fines distintos a aquellos indicados en este manual. Peso máximo admitido: 150 kg.

FR



L'utilisation d'une filtration au sel peut causer des dégradations sur votre échelle inox et ne sera pas prise en charge dans la garantie.

Ne pas utiliser l'échelle à d'autres fins que celle précisée dans cette notice. Masse maximale admissible: 150 kg.

DE



Der Einsatz von Filtration durch Salz kann zur Beschädigung der rostfreien Treppe führen und wird von der Garantie nicht übernommen.

Verwenden Sie die Treppe nicht für andere Zwecke als die in diesem Handbuch beschriebenen. Zulässiges Höchstgewicht: 150 kg.

IT



L'uso della filtrazione per il sale può provocare la degradazione della scaletta in acciaio inossidabile e non sarà coperta da garanzia.

Non utilizzare la scala per scopi diversi da quelli indicati nel presente manuale. Peso massimo consentito: 150 kg.

NL



Het gebruik van filtering met zout kan leiden tot aantasting van uw roestvrijstalen trap, wat niet door de garantie zal worden gedekt.

Gebruik deze trap niet voor andere doeleinden dan welke zijn aangegeven in deze handleiding. Maximaal toelaatbare gewicht: 150 kg.

PT



O uso da filtração por sal pode causar a degradação da sua escada inoxidável e não será assumida pela garantia.

Não utilize a escada para outros fins distintos àqueles indicados neste manual. Peso máximo admitido: 150 kg.

PUTTING INTO SERVICE

During the first use, you should wash the filter (check the filter system maintenance). Filtering is a mechanical treatment that allows cleaning the pool water by means of eliminating the impurities and contaminating particles. The hydraulic circuit and water purifying group is an essential element for the optimal operation of the filtering system. The filtering system should be coherent: The filter dimensions should be proportionate to the volume of water in the pool and to the pump performance. The filtering is not anti-bacteria. Therefore, you should add a product (or a system) for disinfection of the water.

FILTERING TIME:

During the period of use of the pool kit, the filtering system should be used every day, for sufficient time to guarantee a complete renovation of the entire volume of water. Theoretically, this is the calculation:

(Water Temp / 2) = equals the filtering hours

Often, it is more practical to filter 4 hours before and 4 hours after use.

We do not recommend intermittent operation (stopping and starting every hour) because not all the water volume will be renovated.

OPERATION PRINCIPLE:



The skimmer sucks the water from your pool (this element and especially the basket that collects leaves and other large impurities, should be very clean).

The water is then sent through the tubes to reach a pump with pre-filter * (there another basket filters medium impurities, therefore its cleanliness is essential for good operation).

WATER TEMPERATURE	FILTERING TIME FOR ONE DAY
15 to 18°C	8 hours
19 to 21°C	10 hours
22 to 25°C	12 hours
26 to 28°C	14 hours
28 to 30°C	19 hours
+ than 30°C	24 hours

The pump sends the water towards a filter that retains all the suspended impurities thanks to its filtering material. This is a sand filter. The filtered water returns to the pool. This unit can be manipulated, programmed and protected using an electrical unit (optional).

The water from your pool should be subject to physical and chemical treatment to keep its transparency and to guarantee a completely safe bath.

We do not recommend filling to the pool with well water, to avoid all types of chemical reaction and water colouring risks.

YOU SHOULD ALWAYS MAKE SURE THAT:

1. The water level is correct: that is to say, slightly above half of the skimmer.
2. The skimmer and pump pre-filter baskets are clean.
3. The hydraulic circuit is controlled and the flap positions verified.
4. The filter can be started and the pressure controlled with a pressure gauge (according to the type and the position of the technical location regarding the pool).

HAVING ACCESS TO THE POOL IS PROHIBITED IN THE CASE THAT THE FILTER SYSTEM IS DETERIORATED

* According to model

MAINTENANCE OF THE FILTERING SYSTEM

CLEANING THE FILTER

Perform this procedure each time you need to clean the filter. When the pressure increases 0.2 bar regarding the starting pressure you need to clean as follows. Make sure that you have correctly installed the emptying tube (not included) in the collector of the multi-directional flap, so that it allows water evacuation when the sand or filter is cleaned.

1. Stop the filtering.
2. Put the multi-directional flap to the WASH position.
3. Start the filter and let it work for at least 2 to 3 minutes.
4. Stop the filtering again, put the multi-directional flap into RINSE position and re-start the filter for 10 seconds.
5. Stop the filter and put the multi-directional flap into FILTERING position.
6. Re-start the filter and check that the pressure is correct.

CLEANING THE POOL

With a manual pool cleaner

1. Connect the pool cleaner tube
2. Introduce the pool cleaner into the water
3. Fill the tube with water placing it before the refilling fitting with key.
4. Place the other end in the pool cleaner outlet.
5. You should slowly move the pool cleaner (to avoid moving the dust) and without taking it out of the water, to avoid deactivating the pump.
6. When you have finished the cleaning, clean the filter before putting it into its normal position.

RECOMMENDATIONS:

- You should check that the suction holes are not blocked.
- You should stop the filtering during the maintenance operations of the filtering system.
- Periodically check the greasing level of the filter.



Maintenance and wintering of the filter requires water evacuation. The evacuation should be foreseen when installing the filter group.

WATER TREATMENT

Whichever is your filtering system, you will need to chemically treat the pool water to destroy the bacteria and the micro-bodies and to avoid development of algae.

Several sterilization products can be used, like chloride, bromine, oxygen, etc. Request the assessment of a pool treatment product sales person to take a decision.

First, you have to verify the pH level using an analysis kit. Pay attention that the test bottles are only valid for one year.

The ideal level is between 7.2 and 7.4 of pH and 1.5 regarding CHLORIDE. Rectify this level using pH correctors (increasers or reducers). The quantity of product is proportional to the cubic meters of your pools. To treat your pool, check the indications appearing on the product you have chosen for your pool.

pH (potential hydrogen) You should always maintain the water pH between 7.2 and 7.4 because below these values the water becomes corrosive (due to acidity) and rapidly deteriorates the metal parts of your pool. Above these values the water is basic and greatly reduces the action of treatment.



Never introduce chlorine tablets directly into the pool. The liner would be «burnt». The tablets are placed into the skimmer basket.

SAFETY SUGGESTIONS

Carefully read, understand, and follow all information in this user manual before installing and using the swimming pool. These warnings, instructions, and safety guidelines address some common risks of water recreation, but they cannot cover all risks and dangers in all cases. Always use caution, common sense, and good judgment when enjoying any water activity. Retain this information for future use.

When your pool reaches the end of its useful life, it should be disassembled; the different materials (plastic and steel) should be separated and taken to the disposal point indicated by local authorities.

Non Swimmers safety

Continuous, active, and vigilant supervision of weak swimmers and non-swimmers by a competent adult is required at all times (remembering that children under five are at the highest risk of drowning).

- Designate a competent adult to supervise the pool each time it is being used.
- Weak swimmers or non-swimmers should wear personal protection equipment when using the pool.
- When the pool is not in use, or unsupervised, remove all toys from the swimming pool and its surrounding to avoid attracting children to the pool.

Safety devices

- It is recommended to install a barrier (and secure all doors and windows, where applicable) to prevent unauthorized access to the swimming pool.
- Barriers, pool covers, pool alarms, or similar safety devices are helpful aids, but they are not substitutes for continuous and competent adult supervision.

Safety equipment

- It is recommended to keep rescue equipment (e.g. a ring buoy) by the pool.
- Keep a working phone and a list of emergency phone numbers near the pool.

Safe use of the pool

- Encourage all users especially children to learn how to swim
- Learn Basic Life Support (Cardiopulmonary Resuscitation - CPR) and refresh this knowledge regularly. This can make a life-saving difference in the event of an emergency.
- Instruct all pool users, including children, what to do in case of an emergency
- Never dive into any shallow body of water. This can lead to serious injury or death.
- Do not use the swimming pool when using alcohol or medication that may impair your ability to safely use the pool.
- When pool covers are used, remove them completely from the water surface before entering the pool.
- Protect pool occupants from water related illnesses by keeping the pool water treated and practicing good hygiene. Consult the water treatment guidelines in the user's manual.
- Store chemicals (e.g. water treatment, cleaning or disinfection products) out of the reach of children.
- Signage is to be displayed in a prominent position within 2 m of the pool.
- Removable ladders shall be placed on a horizontal surface.

WARNING:

Every electrical appliance fed in 220 V, has to be located at least at 3,50 m from the edge of the pool.

The equipment should be connected to a voltage, with earth connection, protected by a residual current device (RCD) having a rated residual operating current not exceeding 30 mA.

Read the instructions carefully and keep for future reference.

IF YOU HAVE ANY PROBLEM, ...CONTACT US!

CONTACT:

web: www.service-gre.com



PUESTA EN SERVICIO

Durante el primer uso es obligatorio realizar un lavado del filtro (consulte el mantenimiento del sistema de filtración). La filtración es un tratamiento mecánico que permite limpiar el agua de la piscina mediante la eliminación de las impurezas y de las partículas contaminantes. El conjunto del circuito hidráulico y del grupo de depuración del agua es un elemento esencial para el buen funcionamiento del sistema de filtración. El sistema de filtración debe ser coherente: Las dimensiones del filtro deben ser proporcionales al volumen de agua de la piscina y al rendimiento de la bomba. La filtración no es antibacteriana. Por lo tanto, es obligatorio añadir un producto (o un sistema) de desinfección del agua.

TIEMPO DE FILTRACIÓN:


Durante la temporada de uso del kit de piscina, se debe poner en funcionamiento el sistema de filtración a diario, durante el tiempo suficiente para garantizar una renovación completa del volumen de agua. En teoría, se realiza el siguiente cálculo:

(T° del agua / 2) = número de horas de filtración

A menudo, la práctica resulta filtrar 4 horas antes y 4 después del cénit.

Se desaconseja el funcionamiento intermitente (parada y arranque cada hora) porque no se renovará todo el volumen de agua.

PRINCIPIO DE FUNCIONAMIENTO:

 El skimmer aspira el agua de su piscina (este elemento, y especialmente los cestillos que recogen las hojas y otras impurezas grandes, deben estar muy limpios). El agua se dirige entonces a través de las tuberías para llegar a una bomba con prefiltro * (ahí otro cestillo filtra las impurezas medianas, por lo que su limpieza es esencial para un buen funcionamiento).

TEMPERATURA AGUA	DURACIÓN FILTRACIÓN 1 DÍA
15 a 18°C	8 horas
19 a 21°C	10 horas
22 a 25°C	12 horas
26 a 28°C	14 horas
28 a 30°C	19 horas
+ de 30°C	24 hours

La bomba propulsa el agua hacia un filtro que retiene todas las impurezas en suspensión gracias a su material filtrante. Este filtro es de arena. El agua ya filtrada vuelve a la piscina. Se puede manejar, programar y proteger este conjunto mediante una unidad eléctrica (opcional).

El agua de su piscina debe someterse a un tratamiento físico y químico para mantener su transparencia y para garantizarle un baño completamente seguro.

No se aconseja llenar la piscina con agua de pozo, para evitar todos los riesgos de reacción química y de coloración del agua.

SIEMPRE DEBE CERCIORARSE DE QUE:

1. El nivel de agua es el correcto: es decir, ligeramente por encima de la mitad del skimmer.
2. Los cestillos del skimmer y del prefiltro de la bomba están limpios.
3. El circuito hidráulico está controlado y las posiciones de las trampillas verificadas.
4. Se puede poner en marcha la filtración y controlar la presión con el manómetro (en función del tipo y de la posición del local técnico respecto a la piscina).

PROHIBIDO ACCEDER A LA PISCINA EN CASO DE QUE EL SISTEMA DE FILTRACIÓN ESTÉ DETERIORADO

* Según modelo

MANTENIMIENTO DEL SISTEMA DE FILTRACIÓN

LIMPIEZA DEL FILTRO

Efectúe este procedimiento cada vez que precise limpiar el filtro. Cuando la presión aumente 0,2 bares respecto a la presión de puesta en servicio es necesario proceder a una limpieza como se explica a continuación. Cerciórese de que se ha instalado correctamente el tubo de vaciado (no incluido) en el colector de la trampilla multidireccional, de forma que permita la evacuación de agua cuando se lave la arena o el filtro.

1. Detenga la filtración.
2. Ponga la trampilla multidireccional en la posición LAVADO.
3. Ponga en marcha la filtración y deje que funcione de 2 a 3 minutos.
4. Detenga de nuevo la filtración, ponga la trampilla multidireccional en posición ACLARADO y vuelva a poner en marcha la filtración durante 30 segundos.
5. Detenga la filtración y ponga la trampilla multidireccional en posición FILTRACIÓN.
6. Vuelva a poner en marcha la filtración y compruebe que la presión es la correcta.

LIMPIEZA DEL VASO

Con un limpiafondos manual

1. Conecte el tubo al limpiafondos.
2. Introduzca el limpiafondos en el agua.
3. Rellene el tubo de agua situándolo ante una boquilla de salida.
4. Coloque el otro extremo en la toma limpiafondos.
5. Debe pasar el limpiafondos lentamente (para evitar que se levante el polvo) y sin sacarlo del agua, para evitar que la bomba se desactive.
6. Cuando haya terminado la limpieza, limpie el filtro antes de colocarlo en su posición habitual.

RECOMENDACIONES:


- Es obligatorio comprobar que los orificios de aspirado no están obstruidos.
- Es obligatorio detener la filtración durante las operaciones de mantenimiento del sistema de filtración.
- Compruebe periódicamente el nivel de engrasado del filtro.

 El mantenimiento y el ivernaje del filtro de arena precisa de evacuaciones para la instalación del grupo de filtración.

TRATAMIENTO DEL AGUA

Cualquiera que sea el sistema de filtración utilizado, es necesario tratar químicamente el agua de la piscina para destruir las bacterias y los microorganismos y para evitar el desarrollo de algas. Se pueden utilizar varios productos de esterilización, como el cloro, el bromo, el oxígeno, etc.

Solicite asesoramiento a un vendedor de productos de tratamiento para piscinas para tomar una decisión. **En primer lugar, hay que verificar el nivel de pH mediante un equipo de análisis. Preste atención a que los botes de test solo son válidos un año.** El nivel ideal está entre 7,2 y 7,4 en cuanto al pH y en 1,5 respecto al CLORO. Rectifique este nivel mediante correctores de pH (aumentadores y minoradores). La cantidad de productos es proporcional a la cubicación de su piscina. Para el tratamiento de su vaso, consulte las indicaciones que aparecen en el producto que haya elegido para su piscina. **pH** (potencial de hidrógeno): Es obligatorio mantener siempre el pH del agua entre 7,2 y 7,4 porque por debajo de estos valores el agua se vuelve corrosiva (debido a su acidez) y deteriora

 rápidamente las piezas metálicas de su piscina. Por encima de estos valores el agua es básica y reduce en gran medida la acción del tratamiento. Nunca introduzca pastillas de cloro directamente en el vaso. Se «quemaría» el liner. Las pastillas se colocan en el cestillo del skimmer.

CONSEJOS DE SEGURIDAD

Antes de instalar y de utilizar la piscina, lea atentamente la información recogida en el presente manual, asimílela y cúmplala. Los anuncios, las instrucciones y las consignas de seguridad hacen referencia a algunos de los riesgos más habituales relativos al ocio en el agua, pero no cubren la totalidad de riesgos y peligros que se pueden presentar. Tenga prudencia, sentido crítico y sentido común al practicar actividades acuáticas. Guarde esta información para poderlas consultar posteriormente.

Sin tener en cuenta los materiales usados para la construcción de la piscina, las superficies accesibles tienen que ser revisadas regularmente para evitar lesiones.

Seguridad de quienes no saben nadar:

Siempre se necesita la vigilancia atenta, activa y continua por parte de un adulto responsable sobre los niños que no saben nadar o no lo hacen bien (tenga en cuenta que el riesgo de ahogo más elevado lo presentan los menores de cinco años).

- Procure que un adulto responsable vigile la piscina cada vez que se utiliza.
- Resulta conveniente que los niños que no saben nadar o no lo hacen bien cuenten con equipos de protección individual cuando utilicen la piscina.
- Cuando no se utilice la piscina o esta se encuentre sin vigilancia saque todos los juguetes de ella para evitar que los niños se acerquen a ella.

Dispositivos de seguridad

- Es recomendable instalar una barrera (y, en su caso, instalar elementos de seguridad en puertas y ventanas) para evitar cualquier acceso no permitido a la piscina.
- Las barreras, las cubiertas, las alarmas para piscinas o los dispositivos de seguridad análogos resultan útiles pero no sustituyen la vigilancia continua por parte de un adulto responsable.

Equipamiento de seguridad

- Se recomienda disponer de material de salvamento (una boya, por ejemplo) cerca de la piscina.
- Tenga un teléfono en perfecto estado y un listado de números de urgencias cerca de la piscina.

Uso seguro de la piscina

- Anime a todos los usuarios, en especial a los niños, a aprender a nadar.
- Aprenda técnicas de salvamento (reanimación cardiopulmonar) y actualice periódicamente sus conocimientos. Estos gestos pueden salvar una vida en una urgencia.
- Explique a los usuarios de la piscina, también a los niños, qué procedimiento deben seguir en caso de urgencia.
- Nunca se tire a piscinas poco profundas, dado que puede sufrir lesiones graves o mortales.
- No utilice la piscina tras haber ingerido alcohol o medicamentos susceptibles de reducir su capacidad de hacerlo en condiciones de total seguridad.
- Si la piscina está tapada por una cubierta, retírela completamente de la superficie de agua antes de entrar.
- Trate el agua de su piscina y establezca buenas prácticas de higiene para proteger a los usuarios de enfermedades relacionadas con el agua. Consulte cómo tratar el agua en el manual de instrucciones.
- Mantenga fuera del alcance de los niños los productos químicos (productos de tratamiento del agua, de limpieza o de desinfección, por ejemplo).
- Es obligatorio colocar los pictogramas incluidos en una posición visible a menos de 2 m de la piscina.
- Coloque las escaleras móviles en una superficie horizontal.

ATENCIÓN:

Todo aparato alimentado en 220 V, debe situarse por lo menos a 3,50 m del borde de la piscina.

El equipo se debe conectar a una toma de corriente, con conexión a tierra, protegida con un interruptor diferencial (RCD) con una corriente de funcionamiento residual asignada que no exceda de 30 mA.

Lea atentamente las instrucciones y guárdelas para futuras consultas.

SI TIENE ALGÚN PROBLEMA, ..¡CONSÚLTENOS!

CONSULTAS:

web: www.service-gre.com



MISE EN SERVICE

Lors de la première utilisation, il est impératif d'effectuer un lavage du filtre (voir entretien du système de filtration). La filtration est un traitement mécanique qui permet de nettoyer l'eau de la piscine en éliminant ses impuretés et particules polluantes. L'ensemble du circuit hydraulique et du groupe d'épuration d'eau est une donnée essentielle au bon fonctionnement du système de filtration. Le système de filtration doit être cohérent : La dimension du filtre doit être proportionnelle au volume d'eau de la piscine et au débit de la pompe. La filtration n'est pas antibactérienne. Il est donc obligatoire de rajouter un produit (ou un système) de désinfection de l'eau.

TEMPS DE FILTRATION :

Durant la saison d'utilisation du kit piscine, le système de filtration doit obligatoirement être mis en service chaque jour, suffisamment longtemps pour assurer au moins un renouvellement complet du volume d'eau. En théorie, on fait le calcul suivant :

$$(T^{\circ} \text{ d'eau} / 2) = \text{Nbre d'heures de filtration}$$

La pratique s'avère souvent de filtrer 4h avant et 4h après le zénith du soleil.

Un fonctionnement par intermittence est à déconseiller (arrêt ou reprise toutes les heures) car tout le volume d'eau ne serait pas renouvelé !

PRINCIPE DE FONCTIONNEMENT :



L'eau de votre piscine est aspirée par un skimmer (cet élément et surtout les paniers qui récupèrent les feuilles et autres grosses impuretés doivent être très propres). L'eau chemine ensuite à travers des tuyauteries pour arriver à une pompe avec préfiltre* (là encore un panier arrête les impuretés de taille moyenne et sa propreté est primordiale pour un bon fonctionnement). La pompe propulse l'eau dans un

filtre qui retient toutes les impuretés en suspension grâce à son matériau filtrant. Ce filtre est à sable. L'eau ainsi filtrée repart vers le bassin. Tout cet ensemble peut être géré, programmé et protégé par un coffret électrique (en option). L'eau de votre piscine doit être traitée physiquement et chimiquement pour garder sa limpidité et vous assurer une baignade en toute sécurité. Il n'est pas conseillé de remplir la piscine avec de l'eau de forage, pour éviter tout risque de réaction chimique et de coloration de l'eau.

VOUS DEVEZ TOUJOURS VOUS ASSURER QUE :

1. Le niveau d'eau est correct : c'est-à-dire légèrement au-dessus du milieu du skimmer.
2. Les paniers de skimmers et de préfiltre de pompe sont propres.
3. Le circuit hydraulique est contrôlé et les positions des vannes vérifiées.
4. La filtration peut être mise en route et on contrôle la pression au manomètre (elle est fonction du type et de la position du local technique par rapport à la piscine)

INTERDIRE L'ACCES AU BASSIN EN CAS DE DETERIORATION DU SYSTEME DE FILTRATION

* Selon modèle

TEMPÉRATURA L'EAU	DURÉE DE FILTRATION POUR UNE JOUENÉE
15 à 18°C	8 heures
19 à 21°C	10 heures
22 à 25°C	12 heures
26 à 28°C	14 heures
28 à 30°C	19 heures
+ de 30°C	24 heures

ENTRETIEN DU SYSTÈME DE FILTRATION

NETTOYAGE DU FILTRE

Vous effectuerez cette procédure à chaque fois qu'il faudra effectuer un lavage de filtre. Lorsque la pression augmente de 0,2 bars par rapport à la pression de mise en service, il faut procéder à un nettoyage comme expliqué ci-dessous. Assurez-vous, sur la sortie égout de la vanne multivoies, qu'un tuyau de vidange (non fourni) a bien été installé de manière à permettre l'évacuation de l'eau lors du lavage du sable ou du filtre.

1. Arrêtez la filtration.
2. Mettez votre vanne multivoies sur position LAVAGE.
3. Mettez votre filtration en marche, la laisser fonctionner 2 à 3 minutes.
4. Arrêtez à nouveau votre filtration, mettez votre vanne multivoies sur position RINÇAGE et remettez votre filtration en marche pendant 30 secondes.
5. Arrêtez votre filtration, mettez votre vanne multivoies sur position FILTRATION.
6. Remettez votre filtration en marche et vérifiez que la pression soit bonne.

NETTOYAGE DU BASSIN

Avec un balai manuel

1. Branchez le tuyau sur le balai.
2. Mettez le balai dans l'eau.
3. Remplissez le tuyau d'eau en le mettant devant une bouche de refoulement
4. Fixez l'autre extrémité sur la prise balai
5. Vous devez passer le balai lentement (pour éviter de soulever la poussière) et ne le sortez pas de l'eau, la pompe se désamorcerait.
6. Une fois le balayage terminé, nettoyez le filtre puis remettre en position normale.

RECOMMANDATIONS :

- Il est impératif de vérifier la non obturation des orifices d'aspiration
- il est impératif d'arrêter la filtration pendant les opérations de maintenance du système de filtration
- Surveiller régulièrement le niveau d'encrassement du filtre



L'entretien et l'hivernage du filtre à sable nécessite des évacuations d'eau. Il est impératif de prévoir ces évacuations lors de l'installation du groupe de filtration.

TRAITEMENT DE L'EAU

Quel que soit le système de filtration utilisé, il faut traiter chimiquement l'eau de la piscine pour détruire les bactéries, les micros organismes et éviter le développement d'algues. Plusieurs produits de stérilisation peuvent être utilisés, comme le chlore, le brome, l'oxygène, etc. Prenez conseil auprès d'un revendeur de produits traitements pour piscines pour déterminer votre choix. **La première chose à faire est de vérifier le taux de pH à l'aide d'une trousse d'analyse. Attention les flacons test ne sont valables qu'un an.**

Le taux idéal est 7,2 à 7,4 pour le pH et de 1,5 pour le CHLORE. Rectifiez éventuellement le pH à l'aide des produits pH+ ou pH-. La quantité de produits est proportionnelle au cubage de votre piscine. Pour le traitement de votre bassin, reportez-vous aux indications figurant sur le produit que vous avez choisi pour votre piscine. **pH** (potentiel hydrogène) : Il est impératif de toujours maintenir le pH de votre eau entre 7,2 et 7,4 car en-dessous de ces valeurs l'eau devient corrosive (du fait de son acidité) et détériore rapidement les pièces métalliques de votre piscine. Au-dessus de ces valeurs l'eau est basique et diminue fortement l'action du traitement. Ne jamais mettre de galets de chlore directement dans le bassin. Le liner serait "brulé". Les galets sont à placer dans le panier du skimmer.

CONSEILS DE SÉCURITÉ

Avant d'installer et d'utiliser, la piscine, veuillez lire attentivement, assimiler et respecter toutes les informations contenues dans cette notice d'utilisation. Ces avertissements, instructions et consignes de sécurité portent sur certains des risques usuels associés aux loisirs aquatiques, mais ils ne peuvent pas couvrir la totalité des risques et dangers dans tous les cas. Faites toujours preuve de prudence, de discernement et de bon sens lors des activités aquatiques. Conservez ces informations afin de pouvoir vous y référer ultérieurement.

Lorsque votre piscine atteint la fin de sa vie utile, elle doit être démontée, puis il faudra séparer les différents matériaux (plastique et acier) et les déposer dans la déchetterie spécifiée par les autorités locales.

Sécurité des non-nageurs

Une surveillance attentive, active et continue par un adulte compétent des enfants qui ne savent pas bien nager et des non-nageurs est requise en permanence (en gardant à l'esprit que le risque de noyade est le plus élevé pour les enfants de moins de cinq ans).

- Désignez un adulte compétent pour surveiller le bassin à chaque fois qu'il est utilisé.
- Il convient que les enfants qui ne savent pas bien nager ou les non-nageurs portent des équipements de protection individuelle lorsqu'ils utilisent la piscine.
- Lorsque le bassin n'est pas utilisé ou est sans surveillance, retirez tous les jouets de la piscine et ses abords afin de ne pas attirer les enfants vers le bassin.

Dispositifs de sécurité

- Il est recommandé d'installer une barrière (et de sécuriser toutes les portes et fenêtres, le cas échéant) afin d'empêcher tout accès non autorisé à la piscine.
- Les barrières, couvertures, alarmes de piscines ou dispositifs de sécurité similaires sont des aides utiles, mais ils ne remplacent pas la surveillance continue par un adulte compétent.

Équipements de sécurité

- Il est recommandé de garder du matériel de sauvetage (une bouée, par exemple) près du bassin.
- Gardez un téléphone en parfait état de marche et une liste de numéros d'urgence à proximité du bassin.

Sécurité d'emploi de la piscine

- Incitez tous les utilisateurs, en particulier les enfants, à apprendre à nager.
- Apprenez les gestes qui sauvent (réanimation cardiopulmonaire) et remettez régulièrement à jour vos connaissances. Ces gestes peuvent sauver une vie en cas d'urgence.
- Expliquez aux utilisateurs de la piscine, enfants inclus, la procédure à suivre en cas d'urgence.
- Ne plongez jamais dans un plan d'eau peu profond, sous peine de blessures graves ou mortelles.
- N'utilisez pas la piscine sous l'emprise d'alcool ou de médicaments susceptibles de réduire votre capacité à utiliser la piscine en toute sécurité.
- Si la piscine est recouverte d'une couverture, retirez-la entièrement de la surface de l'eau avant d'entrer dans le bassin.
- Traitez l'eau de votre piscine et instaurez de bonnes pratiques d'hygiène afin de protéger les utilisateurs des maladies liées à l'eau. Consultez les consignes de traitement de l'eau données dans la notice d'utilisation.
- Stockez les produits chimiques (produits de traitement de l'eau, de nettoyage ou de désinfection, par exemple) hors de portée des enfants.
- Il est obligatoire d'afficher les pictogrammes fournis dans une position visible à moins de 2 m de la piscine.
- Placez les échelles amovibles sur une surface horizontale.

ATTENTION:

Tout appareil électrique alimenté en 220 V doit être situé au moins à 3,50 m du bord du bassin.

L'appareil doit être branché sur une prise de courant avec prise de terre, protégé par un interrupteur différentiel (RCD) avec un courant de fonctionnement résiduel assigné qui n'excède pas 30 mA.

À lire attentivement et à conserver pour consultation ultérieure.

EN CAS DE PROBLEME... NOUS CONSULTER!

web: www.service-gre.com



INBETRIEBNAHME

Beim ersten Einsatz ist es obligatorisch, eine Reinigung des Filters vorzunehmen (informieren Sie sich über die Instandhaltung des Filtrationssystems). Die Filtration ist eine mechanische Behandlung, bei der das Wasser des Pools mittels Beseitigung von Verunreinigungen und Schmutzpartikeln gesäubert wird. Der Wasserkreislauf und das Wasserreinigungsaggregat sind wesentliche Elemente für das ordnungsgemäße Funktionieren des Filtrationssystems. Das Filtrationssystem muss zusammenhängend sein: Die Maße des Filters müssen proportional zum Wasservolumen des Pools und zur Pumpenleistung sein. Die Filtration ist nicht antibakteriell. Folglich ist es obligatorisch, ein Produkt (oder ein System) zur Desinfektion des Wassers anzugliedern.


FILTRATIONSZEIT:

Während der Einsatzzeit des Pool-Kits muss die Filteranlage täglich ausreichend lange in Betrieb genommen werden, um eine komplette Erneuerung des Wasservolumens sicherzustellen. Theoretisch wird wie folgt gerechnet:

$(T^\circ \text{ des Wassers} / 2) = \text{Anzahl der Stunden im Filtrationsbetrieb}$

Häufig ergibt es sich in der Praxis, dass 4 Stunden vor und 4 Stunden nach dem Zenit gefiltert wird. Vom abwechselnden Betrieb wird abgeraten (stündliches Aus- und Einschalten), da dann nicht das ganze Wasservolumen erneuert wird.

GRUNDREGEL FÜR DEN BETRIEB:

 Der Skimmer saugt das Poolwasser an (dieses Bauteil und besonders die Körbchen, die Blätter und andere große Verunreinigungen erfassen, müssen sehr sauber sein). Dann läuft das Wasser durch Rohre zu einer Pumpe mit Vorfilter* (dort filtert ein weiteres Körbchen die mittelgroßen Verunreinigungen, deshalb ist dessen Sauberkeit für ein ordnungsgemäßes Funktionieren wesentlich). Die Pumpe

treibt das Wasser zu einem Filter hin, der alle schwebenden Verunreinigungen aufgrund des Filtermaterials zurückhält. Dieser Filter ist aus Sand. Das bereits gefilterte Wasser kehrt zum Pool zurück. Dieses Set (wahlweise) kann mittels einer elektrischen Schalteinheit bedient, programmiert und geschützt werden.

Das Wasser Ihres Pools muss physikalisch und chemisch aufbereitet werden, um seine Transparenz beizubehalten und Ihnen ein rundum gesundes Bad zu garantieren. Es wird nicht empfohlen, den Pool mit Quellwasser zu befüllen, um etwaige Risiken einer chemischen Reaktion und der Färbung des Wassers zu vermeiden.

SIE MÜSSEN STETS PRÜFEN, OB:

1. Der Wasserspiegel richtig ist, das heißt, etwas über der Hälfte des Skimmers.
2. Die Körbchen des Skimmers und des Vorfilters der Pumpe sauber sind.
3. Der Wasserkreislauf gesteuert und die Positionen der Klappen überprüft werden.
4. Die Filtration gestartet und der Druck mit dem Druckanzeiger kontrolliert werden kann (je nach Art und Position der technischen Voraussetzungen in Bezug auf den Pool).

ES IST UNTERSAGT, DEN POOL ZU BETRETEN, FALLS DAS FILTRATIONSSYSTEM BESCHÄDIGT IST: *Je nach Modell

TEMPERATUR DES WASSERS	DAUER DER FILTRATION AN EINEM TAG
15 a 18°C	8 stunden
19 a 21°C	10 stunden
22 a 25°C	12 stunden
26 a 28°C	14 stunden
28 a 30°C	19 stunden
+ de 30°C	24 stunden

INSTANDHALTUNG DES FILTRATIONSSYSTEMS

REINIGUNG DES FILTERS

Führen Sie diese Verfahren wann immer dann durch, wenn der Filter gereinigt werden muss. Wenn der Druck 0,2 Bar in Bezug auf den Druck bei Inbetriebnahme steigt, ist es notwendig, eine Reinigung vorzunehmen, wie im Folgenden erläutert wird. Vergewissern Sie sich, dass der Ablaufschlauch (nicht im Lieferumfang enthalten) richtig am Sammelbehälter der Mehrrichtungsklappe montiert ist, so dass sie das Abfließen des Wassers erlaubt, wenn der Sand oder der Filter gereinigt wird.

1. Stoppen Sie die Filtration.
2. Stellen Sie die Mehrrichtungsklappe auf die Position REINIGEN.
3. Starten Sie die Filtration und lassen Sie sie 2 bis 3 Minuten laufen.
4. Stoppen Sie die Filtration erneut, stellen Sie die Mehrrichtungsklappe in die Position SPÜLEN und lassen Sie die Filtration 30 Sekunden laufen.
5. Stoppen Sie die Filtration und stellen Sie die Mehrrichtungsklappe in die Position FILTRATION.
6. Starten Sie die Filtration erneut und prüfen Sie, ob der Druck nun richtig ist.

REINIGUNG DES BECKENS

Mit einem manuellen Beckenreinigers

1. Schließen Sie den Schlauch an den Beckenreiniger an.
2. Legen Sie den Beckenreiniger in das Wasser.
3. Füllen Sie den Wasserschlauch, indem Sie ihn vor ein Druckventil platzieren.
4. Legen Sie das andere Ende an den Beckenreinigers-Punkt.
5. Der Beckenreiniger muss langsam bewegt werden, (um zu vermeiden, dass Staub aufsteigt,) und ohne ihn aus dem Wasser zu nehmen, um zu vermeiden dass die Pumpe deaktiviert wird.
6. Wenn die Reinigung beendet ist, reinigen Sie den Filter, bevor Sie ihn an der üblichen Stelle platzieren.

EMPFEHLUNGEN:

- Es ist vorgeschrieben, zu überprüfen, dass die Ansaugöffnungen nicht verstopft sind.
- Es ist vorgeschrieben, die Filtration während des Instandhaltungsbetriebs des Filtrationssystems zu stoppen.
- Prüfen Sie regelmäßig den Grad der Schmierung des Filters.


Die Instandhaltung und das Überwintern des Sandfilters erfordern das Abfließen des Wassers. Es ist unbedingt erforderlich, Entleerungen für die Installation des Filtrationsaggregats vorzusehen.

WASSERAUFBEREITUNG

Unabhängig davon, welches Filtrationssystem eingesetzt wird, ist es notwendig, das Wasser des Pools chemisch aufzubereiten, um Bakterien und Mikroorganismen zu zerstören und die Entwicklung von Algen zu verhindern. Es können mehrere Entkeimungsprodukte wie Chlor, Brom, Sauerstoff, etc. benutzt werden. Lassen Sie sich von einem Händler für Poolaufbereitungsprodukte beraten, bevor Sie eine Entscheidung treffen.

Sie müssen zunächst mit Hilfe eines Analyse-Kits den pH-Wert bestimmen. Bitte beachten Sie, dass die Testflaschen nur ein Jahr gültig sind.

Der ideale pH-Wert liegt zwischen 7,2 und 7,4 und der CHLOR-Wert bei 1,5. Korrigieren Sie diesen Wert mit Hilfe von pH-Korrektoren (die ihn erhöhen und senken). Die Menge an Produkten ist proportional zum Rauminhalt des Pools. Für die Behandlung des Beckens lesen Sie die Angaben, die auf dem Produkt stehen, das Sie für Ihren Pool gewählt haben. **pH** (potentia Hydrogenii): Der pH-Wert des Wassers muss immer zwischen 7,2 und 7,4 liegen, denn unter diesen Werten wird das Wasser korrosiv (wegen der Säure) und beschädigt schnell die Metallteile des Pools. Über diesen Werten ist das Wasser basisch und reduziert in großem

 Umfang die Wirkung der Aufbereitung. Geben Sie Chlortabletten nie direkt in das Becken. Der Liner würde „verbrennen“. Die Tabletten werden in das Körbchen des Skimmers gelegt.

SICHERHEITSINWEISE

Vor Einbau und Nutzung des Pools bitte aufmerksam die in diesem Handbuch aufgeführten Informationen lesen, verinnerlichen und einhalten. Die Sicherheitshinweise und -vorschriften beziehen sich auf einige der am häufigsten auftretenden Risiken in Zusammenhang mit Freizeit im Wasser, sie umfassen jedoch nicht alle Risiken und Gefahren, die auftreten können. Seien Sie vorsichtig, handeln Sie kritisch und mit gesundem Menschenverstand, wenn Sie sich im Wasser aufhalten. Bewahren Sie diese Informationen gut auf, um später darauf zurückgreifen zu können.

Wenn Ihr Pool das Ende seiner Nutzungsdauer erreicht hat, muss er auseinandgebaut werden. Die verschiedenen Materialien (Plastik und Stahl) müssen getrennt und zur Sammelstelle gebracht werden, die von den örtlichen Behörden bestimmt wird.

Die Sicherheit der Menschen, die nicht schwimmen können:

Eine aufmerksame, aktive und kontinuierliche Überwachung der Kinder, die nicht oder noch nicht gut schwimmen können durch einen dafür zuständigen Erwachsenen ist stets erforderlich (bitte bedenken Sie, dass bei Kindern unter fünf Jahren das höchste Risiko zu ertrinken auftritt).

- Sorgen Sie dafür, dass ein dafür zuständiger Erwachsener den Pool stets überwacht, wenn dieser genutzt wird.
- Zweckmäßig ist, dass Kinder, die nicht oder noch nicht gut schwimmen können, bei der Benutzung des Pools eine eigene Schutzausrüstung tragen.
- Wenn der Pool nicht genutzt oder nicht überwacht wird, entfernen Sie alle Spielsachen daraus, um zu verhindern, dass sich die Kinder dem Pool nähern.

Sicherheitsvorrichtungen

- Es ist empfehlenswert, eine Sperre anzubringen (und in diesem Fall Sicherheitselemente an Türen und Fenstern anzubringen), um einen etwaigen nicht erlaubten Zugang zum Pool zu verhindern.
- Sperren, Abdeckungen, Alarmer für Pools oder analoge Sicherheitsvorrichtungen sind hilfreich, ersetzen jedoch nicht die ununterbrochene Überwachung durch einen dafür zuständigen Erwachsenen.

Sicherheitsausrüstung

- Es wird empfohlen, eine Rettungsausrüstung (beispielsweise eine Boje) nahe dem Pool zur Hand zu haben.
- Halten Sie am Pool ein einwandfrei funktionierendes Telefon und eine Liste mit den Notrufnummern bereit. Sichere Nutzung des Pools
- Regen Sie alle Benutzer, vor allem Kinder, dazu an, schwimmen zu lernen.
- Erlernen Sie Rettungsmethoden (Herz-Lungen-Wiederbelebung) und bringen Sie Ihre Kenntnisse regelmäßig auf den neuesten Stand. Diese Handgriffe können im Notfall Leben retten.
- Erklären Sie den Nutzern des Pools, auch den Kindern, welche Vorgehensweise diese im Notfall zu befolgen haben.
- Springen Sie nie in flache Becken, da Sie dabei ernste oder sogar tödliche Verletzungen erleiden können.
- Nutzen Sie den Pool nicht nach dem Konsum von Alkohol oder der Einnahme von Medikamenten, bei denen die Gefahr besteht, dass Sie den Pool nicht in absoluter Sicherheit nutzen können.
- Ist der Pool mit einer Abdeckung bedeckt, entfernen Sie diese vor Betreten des Beckens vollständig.
- Bereiten Sie das Wasser Ihres Pools auf und legen Sie anerkannte Hygienemaßnahmen fest, um die Nutzer vor wasserbedingten Krankheiten zu schützen. Bitte entnehmen Sie dem Handbuch, wie man das Wasser richtig aufbereitet.
- Bewahren Sie chemische Produkte (beispielsweise Produkte zur Wasseraufbereitung, Reinigung oder Desinfektion) außerhalb der Reichweite von Kindern auf.
- Die beiliegenden Piktogramme müssen an einer gut sichtbaren Stelle weniger als 2 Meter vom Pool entfernt angebracht werden.
- Befestigen Sie die bewegliche Treppe an einer horizontalen Oberfläche.

WICHTIGER HINWEIS:

220 V-Geräte müssen mindestens 3,50 m von Schwimmbadrand entfernt liegen.

Das Gerät muss an einen Wechselstromanschluß mit Erdung angeschlossen werden. Dieser muss durch ein Differential (RCD) mit höchstens 30 mA gesichert sein. Anleitung sorgfältig lesen und für spätere Zwecke aufbewahren.

**BEI PROBLEMEN KÖNNEN SIE SICH MIT
UNS UNTER DER FOLGENDEN DEUTSCHEN**

web: www.service-gre.com



MESSA IN SERVIZIO

Durante il primo utilizzo è obbligatorio realizzare un lavaggio del filtro (consultare la manutenzione del sistema di filtrazione). La filtrazione è un trattamento tecnico che permette pulire l'acqua della piscina tramite l'eliminazione delle impurità e delle particelle contaminanti. L'insieme del circuito idraulico e del gruppo di depurazione dell'acqua è un elemento essenziale per il buon funzionamento del sistema di filtrazione.

Il sistema di filtrazione deve essere conforme con quanto segue: Le dimensioni del filtro devono essere proporzionali al volume dell'acqua della piscina e al rendimento della pompa. La filtrazione non è antibatterica. È quindi obbligatorio aggiungere un prodotto (o un sistema) di disinfezione dell'acqua.


DURATA DELLA FILTRAZIONE:

Durante la stagione dell'uso del kit della piscina, si deve mettere in funzione il sistema di filtrazione quotidiano, per il tempo necessario a garantire un rinnovo completo del volume dell'acqua. In teoria, si realizza il seguente calcolo:

(T° dell'acqua/2) = numero delle ore di filtrazione

Di solito, la pratica risulta filtrare 4 ore prima e 4 ore dopo il picco. Si consiglia il funzionamento intermittente (spegnere a accendere ogni ora) perché non si rinnoverà tutto il volume dell'acqua.

PRINCIPIO DI FUNZIONAMENTO:

 Lo skimmer aspira l'acqua della sua piscina (questo elemento e specialmente i cestelli che raccolgono le foglie e altre grandi impurità, devono essere molto puliti). L'acqua passa quindi attraverso le tubazioni fino ad arrivare a una pompa con pre filtro * (qui un altro cestello filtra le impurità medie, per questo la sua pulizia è essenziale per un buon funzionamento). La pompa soffia l'acqua verso un filtro che trattiene tutte le impurità in sospensione grazie al suo materiale filtrante. Questo filtro è di sabbia. L'acqua già filtrata torna nella piscina. Si può manovrare, programmare e proteggere tutto ciò per mezzo di un'unità elettrica (opzionale). L'acqua della piscina per mantenere la sua trasparenza e permettere un bagno in completa sicurezza deve essere sottoposta a un trattamento fisico e chimico. Si sconsiglia di riempire la piscina con acqua del pozzo, per evitare rischi di reazione chimica e di colorazione dell'acqua.

ASSICURARSI SEMPRE CHE:

1. Il livello dell'acqua sia corretto: ossia, leggermente sopra la metà dello skimmer.
2. I cestelli dello skimmer e del pre filtro della pompa siano puliti.
3. Il sistema idraulico sia controllato e le posizioni degli sportelli verificati.
4. Si può avviare la filtrazione e controllare la pressione con il manometro (in funzione del tipo e della posizione del locale tecnico rispetto alla piscina).

È PROIBITO ACCEDERE ALLA PISCINA NEL CASO IN CUI IL SISTEMA DI FILTRAZIONE SIA DETERIORATO

* In base al modello

TEMPERATUR DELL'ACQUA	DURATA DELLA FILTRAZIONE PER UN GIORNO
15 a 18°C	8 ore
19 a 21°C	10 ore
22 a 25°C	12 ore
26 a 28°C	14 ore
28 a 30°C	19 ore
+ de 30°C	24 ore

MANUTENZIONE DEL SISTEMA DI FILTRAZIONE

PULIZIA DEL FILTRO

Effettuare questo procedimento ogni volta che è necessario pulire il filtro. Quando la pressione aumenta di 0,2 bar rispetto alla pressione di messa in servizio è necessario procedere a una pulizia come di seguito spiegato. Assicurarsi che il condotto di svuotamento (non incluso) sia installato correttamente nel collettore dello sportello multidirezionale, così da permettere lo svuotamento dell'acqua quando si lava la sabbia o il filtro.

1. Fermare la filtrazione.
2. Mettere lo sportello multidirezionale in posizione LAVAGGIO.
3. Azionare la filtrazione e lasciarla in funzione da 2 a 3 minuti.
4. Fermare di nuovo la filtrazione, mettere lo sportello multidirezionale in posizione CHIARIFICAZIONE e riavviare la filtrazione per 30 secondi.
5. Fermare la filtrazione e mettere lo sportello multidirezionale in posizione FILTRAZIONE.
6. Riattivare la filtrazione e assicurarsi che la pressione sia corretta.

PULIZIA DELLA VASCA

Con un pulitore di fondo manuale

1. Collegare il tubo al pulitore.
2. Mettere il pulitore in acqua.
3. Riempire il tubo d'acqua posizionandolo davanti all'ugello di mandata.
4. Posizionare l'altro estremo nella presa del pulitore.
5. Passare il pulitore lentamente (per evitare che si alzi la polvere) e senza toglierlo dall'acqua per evitare che la pompa si disattivi.
6. Quando la pulizia è terminata, pulire il filtro prima di sistemarlo nella posizione abituale.

CONSIGLI:

- È obbligatorio assicurarsi che i fori di aspirazione non siano ostruiti.
- È obbligatorio fermare la filtrazione durante le operazioni di manutenzione del sistema di filtrazione.
- Verificare periodicamente il livello di lubrificazione del filtro.

La manutenzione e l'invernaggio del filtro di sabbia richiede lo svuotamento dell'acqua. È indispensabile prevedere lo svuotamento per installare il sistema di filtrazione.

TRATTAMENTO DELL'ACQUA

Qualunque sia il sistema di filtrazione utilizzato, è necessario trattare chimicamente l'acqua della piscina per distruggere i batteri e i microorganismi e per evitare il formarsi di alghe. Si possono utilizzare vari prodotti di sterilizzazione, come cloro, bromo, ossigeno, ecc. Chiedere consiglio a un rivenditore di prodotti per il trattamento per piscine per prendere una decisione. **Innanzitutto, verificare il livello di pH tramite una serie di analisi. È importante ricordare che i risultati del test sono validi per un anno.** Il livello ideale è tra 7,2 e 7,4 per quanto riguarda il pH e 1,5 per il CLORO. Aggiustare questo livello con correttori di pH (incrementatore e diminutore). La quantità di prodotti è proporzionale a la cubatura della piscina. Per il trattamento della vasca, consultare le indicazioni che appaiono nel prodotto scelto per la piscina.

pH: È obbligatorio mantenere sempre il pH dell'acqua tra 7,2 e 7,4 perché al di sotto di questi valori l'acqua diventa corrosiva (a causa dell'acidità) e deteriora rapidamente le parti metalliche della piscina. Al di sopra di questi valori l'acqua è basica e riduce in grande misura l'efficacia del trattamento.

Non introdurre pastiglie di cloro direttamente nel vaso. Si «brucerebbe» il liner. Le pastiglie si mettono nel cestello dello skimmer.

CONSIGLI PER LA SICUREZZA

Prima di installare e utilizzare la piscina si prega di leggere attentamente le informazioni contenute in questo manuale, avendo cura di comprenderle e rispettarle. Gli avvisi, le istruzioni e le indicazioni sulla sicurezza si riferiscono ad alcuni dei rischi più comuni relativi all'utilizzo della piscina, ma non coprono la totalità dei rischi e dei pericoli che possono verificarsi. Occorre essere prudenti, avere senso critico e comune buon senso nella pratica delle attività acquatiche. Conservare queste informazioni per successive consultazioni.

Quando la piscina giunge al termine della sua vita utile, deve essere smontata, i vari materiali (plastica e acciaio) devono essere separati e trasportati presso il centro di raccolta indicato dalle autorità locali.

Precauzioni di sicurezza per le persone che non sanno nuotare:

È necessario mantenere una vigilanza attenta, attiva e continuativa da parte di un adulto responsabile dei bambini che non sanno nuotare o non lo sanno fare bene (occorre tenere presente che sono maggiormente a rischio di annegamento i bambini di età inferiore ai 5 anni).

- Garantire la vigilanza da parte di un adulto responsabile ogniqualvolta si utilizza la piscina.
- È auspicabile che i bambini che non sanno nuotare o non nuotano bene utilizzino dei dispositivi di protezione individuale quando entrano in piscina.
- Quando la piscina non viene utilizzata o non è sorvegliata, rimuovere tutti i giocattoli per evitare che i bambini si avvicinino incautamente.

Sistemi di sicurezza

- Si consiglia di installare una barriera (e, se necessario, elementi di sicurezza sulle porte e sulle finestre dell'abitazione) per impedire qualsiasi accesso non autorizzato alla piscina.
- Le barriere, le coperture, gli allarmi per piscine o i dispositivi di sicurezza analoghi sono utili, ma non sostituiscono la vigilanza permanente da parte di un adulto responsabile.

Dispositivi di sicurezza

- Si raccomanda l'utilizzo di dispositivi di salvataggio (ad esempio un salvagente) vicino alla piscina.
- Disporre, nei pressi della piscina, di un telefono perfettamente funzionante e di un elenco dei numeri di emergenza.

Utilizzo sicuro della piscina

- Incoraggiare tutti gli utilizzatori, soprattutto i bambini, a imparare a nuotare.
- Imparare le tecniche di salvataggio (rianimazione cardiopolmonare) e aggiornare periodicamente le proprie conoscenze. Questi gesti, in caso di emergenza, possono salvare una vita.
- Spiegare agli utilizzatori della piscina, anche ai bambini, la procedura da seguire in caso di emergenza.
- Non tuffarsi mai in piscine poco profonde, in quanto ciò può provocare lesioni gravi o mortali.
- Non utilizzare la piscina dopo aver assunto alcol o farmaci che possono ridurre la capacità di farlo in tutta sicurezza.
- Se la piscina è dotata di una copertura, rimuovere completamente l'acqua presente sulla superficie prima di entrare.
- Trattare l'acqua della piscina e impostare pratiche di igiene corrette per proteggere gli utilizzatori da malattie legate all'acqua. Consultare le informazioni sul trattamento dell'acqua presenti nel manuale di istruzioni.
- Tenere lontano dalla portata dei bambini i prodotti chimici (ad esempio i prodotti per il trattamento dell'acqua, la pulizia e la disinfezione).
- È necessario posizionare i dispositivi di segnalazione forniti insieme alla piscina in posizione ben visibile, a meno di 2 m di distanza dalla piscina.
- Posizionare le scalette mobili su una superficie orizzontale.

ATTENZIONE:

Ogni apparecchio alimentato a 220 V, deve essere situato ad almeno 3,50 m dal bordo della piscina.

L'attrezzatura va collegata ad una presa di tensione di corrente alterna, con una connessione a terra, protetta con un interruttore differenziali (RCD) con una corrente di funzionamento residuale assegnata che non ecceda i 30 mA.

Leggere le istruzioni attentamente e conservarle quale futuro riferimento.

**PER OGNI VOSTRA EVENTUALE
OCCORRENZA,... INTERPELLATECI!**

PER INFORMAZIONI:

web: www.service-gre.com



INGEBRUIKNAME

Tijdens het eerste gebruik is het verplicht om een wassing van het filter uit te voeren (zie: Onderhoud van het filtersysteem). De filtering is een mechanische behandeling die het mogelijk maakt om zwembadwater te reinigen door het verwijderen van onzuiverheden en verontreinigende deeltjes. Het geheel van het hydraulische circuit en de waterzuiveringsgroep is een essentieel element voor de goede werking van het filtersysteem. Het filtersysteem moet coherent zijn: De afmetingen van het filter moeten proportioneel zijn aan het watervolume van het zwembad en aan het rendement van de pomp. De filtering is niet antibacterieel. Om die reden is het verplicht om het aan te vullen met een product (of een systeem) voor het desinfecteren van het water.

TIJDSDUUR FILTERING

In de periode van het jaar dat de zwembadkit wordt gebruikt, moet het filtersysteem dagelijks in werking worden gesteld en gedurende een periode die lang genoeg is om een complete verversing van het watervolume te garanderen. In theorie, gebruikt u de volgende berekening:

(T° van het water / 2) = aantal uren filtering

Vaak komt dit er in praktijk op neer dat er 4 uur voor en 4 uur na het middaguur wordt gefilterd.

Het met tussenpozen laten werken (elk uur starten en stoppen) wordt afgeraden omdat op deze manier niet het gehele watervolume wordt verversd.

WERKINGSPRINCIPE:



De skimmer stofzuigt het water van uw zwembad (dit element, en vooral de filternetjes die bladeren en andere grove stukken rommel opvangen, moeten heel schoon zijn). Het water stroomt vervolgens door de leidingen en komt in een pomp met voorfilter * (daar filtert een ander netje de middelgrote rommel eruit, en daarom is het belangrijk om dit netje goed schoon te houden voor een goede werking).

De pomp stuwt het water naar een filter dat alle zwevende vuildeeltjes vasthoudt door zijn filtermateriaal. Dit filter werkt met zand. Het water dat al is gefilterd, stroomt terug naar het zwembad. Deze constructie kunt u beheren, programmeren en beschermen via een elektrische unit (optioneel). Het water van uw zwembad moet worden onderworpen aan een fysische en chemische behandeling om zijn transparantie te behouden en een geheel veilig bad te garanderen. Het is niet aanbevolen om het zwembad met opgepompt water te vullen, dit om alle risico's te vermijden op chemische reacties en verkleuring van het water.

U MOET ZICH ER ALTIJD VAN VERZEKEREN DAT:

1. Het waterniveau correct is: dat wil zeggen, net iets boven het midden van de skimmer.
2. De netjes van de skimmer en van het voorfilter van de pomp zijn schoon.
3. Het hydraulische circuit is gecontroleerd en de standen van de afsluiters geverifieerd.
4. De filtering kan in werking worden gesteld en de druk moet worden afgelezen op de manometer (afhankelijk van het type en van de stand van de technische ruimte ten opzichte van het zwembad).

VERBOD OM HET ZWEMBAD TE BETREDEN INDIEN HET FILTERSYSTEEM IS BESCHADIGD

* Afhankelijk van model

TEMPERATUUR VAN HET WATER	TIJDSDUUR VAN DE FILTERING VOOR EEN DAG
15 a 18°C	8 uur
19 a 21°C	10 uur
22 a 25°C	12 uur
26 a 28°C	14 uur
28 a 30°C	19 uur
+ de 30°C	24 uur

ONDERHOUD VAN HET FILTERSYSTEEM

SCHOONMAKEN VAN HET FILTER

Deze procedure moet telkens worden uitgevoerd als een filter moet worden schoongemaakt. Wanneer de druk met 0,2 bar toeneemt ten opzichte van de druk bij het in werking zetten, is het nodig om schoon te maken zoals hieronder wordt uiteengezet. Verzeker u ervan dat de afvoerslang (niet bijgeleverd) correct is aangesloten op de verzamelaar van de multidirectionele afsluiter: zodanig dat er water kan worden geloosd wanneer het zand of het filter wordt gewassen.

1. Schakel de filtering uit.
2. Zet de multidirectionele afsluiter in de stand BACKWASH.
3. Zet de filtering in werking en 2 a 3 minuten laten draaien.
4. Zet de filtering opnieuw uit, zet de multidirectionele afsluiter in stand TERUGSPOELEN en zet de filtering weer in werking gedurende 30 seconden.
5. Stop de filtering en zet de multidirectionele afsluiter in stand FILTEREN.
6. Zet de filtering weer in werking en controleer of de druk juist is.

SCHOONMAKEN VAN HET BASSIN

Met een handmatige bodemreiniger

1. Sluit de slang aan op de bodemreiniger.
2. Plaats de bodemreiniger en het water.
3. Vul de waterslang door hem voor een uitstroombandstuk te houden.
4. Plaats het andere uiteinde in de steel van de bodemreiniger.
5. De bodemreiniger moet langzaam worden bewogen (om te voorkomen dat er vuil opdwarrelt) en zonder hem uit het water te halen, om te voorkomen dat de pomp zich uitschakelt.
6. Wanneer het schoonmaken klaar is, het filter reinigen voordat hij in zijn gebruikelijke stand wordt teruggezet.

AANBEVELINGEN:

- Het is verplicht te controleren of de afzuigopeningen niet zijn geblokkeerd.
- Het is verplicht de filtering uit te schakelen gedurende onderhoudswerk aan het filtersysteem.
- Controleer regelmatig het smeergehalte van het filter.

Voor het onderhoud en het winterklaar maken van het zandfilter is het nodig water te lozen. Het is van het grootste belang rekening te houden met lozen bij de installatie van de filtergroep.

WATERBEHANDELING

Welk filtersysteem u ook gebruikt, het is altijd nodig om het zwembadwater chemisch te behandelen om bacteriën en micro-organismen te vernietigen en om de ontwikkeling van algengroei te voorkomen. U kunt verschillende steriliserende producten gebruiken, zoals chloor, broom, zuurstof, etc. Vraag een verkoper om advies over producten voor waterbehandeling voor zwembaden om een keuze te maken. **In de eerste plaats, moet de pH-waarde worden gecontroleerd door middel van een testkit. Houd er rekening mee dat de testflessen slechts één jaar houdbaar zijn. De ideale waarde voor de pH ligt tussen 7,2 en 7,4 en voor CHLOOR is dat 1,5.** Corrigeer de waarde d.m.v. pH-correctoren (pH-verhogend of pH-verlagend). De hoeveelheid product is proportioneel aan de inhoud van uw zwembad. Voor de behandeling van uw bassin, raadpleeg de aanwijzingen die u kunt lezen op het product dat u voor uw zwembad heeft gekozen.

pH (zuurtegraad): Het is verplicht de pH-waarde van het water altijd tussen 7,2 en 7,4 te houden omdat het water beneden deze waarde corrosief wordt (vanwege de zuurgraad) en raken de metalen delen van het zwembad snel aangetast. Boven deze waarden is het water basisch en wordt de werking van de behandeling in grote mate vermindert.



Chloortabletten nooit direct in het bassin plaatsen. Daardoor «verbrand» de liner. De tabletten moeten worden geplaatst in het skimmermandje.

VEILIGHEIDSINFORMATIE

Voor het installeren en in gebruik nemen van het zwembad, dient u de informatie die in deze handleiding is vevat aandachtig door te lezen, goed in u op te nemen en na te leven. De mededelingen, instructies en de aanbevelingen betreffende de veiligheid hebben betrekking op enkele van de meest voorkomende risico's die bestaan bij vrijetijdsbesteding in het water; deze beslaan echter niet alle risico's en gevaren die zich zouden kunnen voordoen. Wees voorzichtig en kritisch, en gebruik vooral uw gezonde verstand bij het beoefenen van activiteiten in het water. Bewaar deze informatie zodat u alles op een later moment nog eens kunt nalezen.

Wanneer uw zwembad het einde van zijn levensduur heeft bereikt, moet het worden gedemonteerd, de verschillende materialen gescheiden (o.a. plastic en ijzer) en ingeleverd op een door de plaatselijke gemeente aangewezen verzamelplaats.

Veiligheid van personen die niet kunnen zwemmen:

Er moet altijd een verantwoordelijke volwassene aanwezig zijn die alert, actief en voortdurend toezicht houdt, met name op kinderen die niet kunnen zwemmen of die dat nog niet goed kunnen (houd er rekening mee dat het risico op verdrinking het hoogst is onder kinderen jonger dan vijf jaar).

- Zorg ervoor dat er steeds een verantwoordelijke volwassene aanwezig is die toezicht houdt op het zwembad, iedere keer dat het wordt gebruikt.
- Het is wenselijk dat kinderen die niet kunnen zwemmen of die dat nog niet goed kunnen beschikken over persoonlijke beschermingsmiddelen wanneer ze gebruikmaken van het zwembad.
- Wanneer het zwembad niet wordt gebruikt of wanneer er geen toezicht aanwezig is, alle speelgoed eruit halen om te voorkomen dat kinderen zich in de buurt ervan begeven.

Veiligheidsvoorzieningen

- Het is aanbevolen om een barrière te installeren (En, indien nodig, veiligheidselementen te installeren in deuren en ramen) om onbevoegde toegang tot het zwembad te voorkomen.
- Barrières, afdekzeilen, zwembadalarmen of vergelijkbare veiligheidsvoorzieningen zijn nuttig, maar vormen géén vervanging voor de voortdurende controle door een verantwoordelijke volwassene.

Veiligheidsvoorzieningen

- Het is aanbevolen om reddingsmateriaal (bijvoorbeeld, een reddingsboei) paraat te hebben vlakbij het zwembad.
- Zorg ervoor dat er een goed werkende telefoon en een lijst met telefoonnummers van hulpdiensten voorhanden zijn in de buurt van het zwembad.

Veilig gebruik van het zwembad

- Moedig alle gebruikers aan, vooral kinderen, om zwemles te nemen.
- Leer reddingstechnieken (m.n. cardiopulmonaire reanimatie) en werk uw kennis regelmatig bij. Deze technieken kunnen een leven redden in geval van nood.
- Leg aan alle gebruikers van het zwembad uit, óók aan kinderen, welke procedures ze moeten volgen in noodgevallen.
- Duik nooit in een ondiep zwembad daar dit ernstig of dodelijk letsel tot gevolg kan hebben.
- Maak geen gebruik van het zwembad nadat u alcohol, drugs of medicijnen heeft gebruikt die uw vermogen of bewustzijn beïnvloeden om dat in een geheel veilige toestand te kunnen doen.
- Indien het zwembad is afgedekt door afdekzeil, dient u het volledig van het wateroppervlak weg te halen alvorens het bad te betreden.
- Behandel het water van uw zwembaden en houd er goede hygiënische praktijken op na om gebruikers tegen watergerelateerde ziekten beschermen. Kijk na hoe u het water moet behandelen in de gebruiksaanwijzing.
- Houd chemische producten (bijvoorbeeld: producten voor waterbehandeling, voor schoonmaak of om te desinfecteren) buiten het bereik van kinderen.
- Het is verplicht om de bijgeleverde pictogrammen op een zichtbare plek op minder dan 2 meter van het zwembad te plaatsen.
- Plaats de verplaatsbare trappen op een horizontaal terrein.

BELANGRIJK:

Alle apparaten die gevoed worden met 220 V, dienen zich op z'n minst op een afstand van 3,50 meter van de rand het zwembad te bevinden. Het toestel moet aangesloten op een geaard netwerk met een wisselstroomspanning van 230 V en 50 HZ, en moet beschermd zijn door een differentieel-schakelaar (RCD) met een residuele differentieelstroom van niet meer dan 30 mA. Lees de gebruiksaanwijzing aandachtig en bewaar die voor toekomstige raadplegingen.

MOCHT U EEN PROBLEEM HEBBEN... ¡RAADPLEEG ONS!

web: www.service-gre.com



COLOCAÇÃO EM SERVIÇO

Durante o primeiro uso, é obrigatório realizar uma lavagem do filtro (consulte a manutenção do sistema de filtração). A filtração é um tratamento mecânico que permite limpar a água da piscina através da remoção das impurezas e das partículas contaminantes. O conjunto do circuito hidráulico e do grupo de depuração da água é um elemento essencial para o bom funcionamento do sistema de filtração. O sistema de filtração deve ser coerente: as dimensões do filtro devem ser proporcionais ao volume de água da piscina e ao desempenho da bomba. A filtração não é antibacteriana. Portanto, é obrigatório adicionar um produto (ou um sistema) de desinfecção da água.

TEMPO DE FILTRAÇÃO:

Durante a época de utilização do kit de piscina, o sistema de filtração deve ser colocado em funcionamento todos os dias, durante o tempo suficiente para garantir uma renovação completa do volume de água. Em teoria, deve realizar-se o seguinte cálculo:


(T. da água / 2) = número de horas de filtração

Amiúde, a prática resulta em filtrar 4 horas antes e 4 depois do zénite.

Desaconselha-se o funcionamento intermitente (paragem e arranque a cada hora)

porque não se renova todo o volume de água.

PRINCÍPIO DE FUNCIONAMENTO:

 O skimmer aspira a água da piscina (este elemento, e especialmente os cestos que recolhem as folhas e outras impurezas grandes, devem estar muito limpos).

A água é então dirigida através das tubagens para chegar a uma bomba com pré-filtro * (aí, um outro cesto filtra as impurezas médias, pelo qual a sua limpeza é essencial para um bom funcionamento). A bomba propulsa a água para um filtro que retém todas as impurezas em suspensão graças ao seu material filtrante. Este filtro é de areia. A

TEMPERATURA DA ÁGUA	DURAÇÃO DA FILTRAÇÃO PARA UM DIA
15 a 18°C	8 horas
19 a 21°C	10 horas
22 a 25°C	12 horas
26 a 28°C	14 horas
28 a 30°C	19 horas
+ de 30°C	24 horas

água já filtrada volta à piscina. Este conjunto pode ser manuseado, programado e protegido por meio de uma unidade elétrica (opcional). A água da piscina deve ser submetida a um tratamento físico e químico para manter a sua transparência e para garantir um banho completamente seguro. Não se aconselha encher a piscina com água de poço, a fim de evitar todos os riscos de reação química e de coração da água.

DEVE CERTIFICAR-SE SEMPRE DE QUE:

1. O nível de água é o correto: isto é, levemente por cima da metade do skimmer.
2. Os cestos do skimmer e do pré-filtro da bomba estão limpos.
3. O circuito hidráulico está controlado e as posições das válvulas verificadas.
4. A filtração pode ser colocada em funcionamento e a pressão controlada com o manómetro (em função do tipo e da posição do local técnico relativamente à piscina).

PROIBIDO ACEDER À PISCINA NO CASO DE O SISTEMA DE FILTRAÇÃO ESTAR DETERIORADO * Conforme modelo

MANUTENÇÃO DO SISTEMA DE FILTRAÇÃO

LIMPEZA DO FILTRO

Efetue este procedimento cada vez que precise de limpar o filtro.

Quando a pressão aumentar 0,2 bares relativamente à pressão de colocação em serviço, será necessário efetuar uma limpeza como explicado em seguida. Certifique-se de que foi instalado corretamente o tubo de esvaziamento (não incluído) no coletor da válvula multidirecional, de forma que permita a evacuação de água quando a areia ou o filtro forem lavados.

1. Detenha a filtração.
2. Coloque a válvula multidirecional na posição LAVAGEM.
3. Coloque em funcionamento a filtração e deixe que funcione durante 2 a 3 minutos.
4. Detenha novamente a filtração, coloque a válvula multidirecional em posição ENXAGUAMENTO e coloque novamente em funcionamento a filtração durante 30 segundos.
5. Detenha a filtração e coloque a válvula multidirecional em posição FILTRAÇÃO.
6. Coloque novamente em funcionamento a filtração e verifique que a pressão é a correta.

LIMPEZA DO tanque

Com um limpa-fundos manual

1. Ligue o tubo ao limpa-fundos.
2. Introduza o limpa-fundos na água.
3. Preencha o tubo com água situando-o perante uma boquilha de impulsão.
4. Coloque o outro extremo na tomada limpa-fundos.
5. Deve passar o limpa-fundos lentamente (para evitar que a poeira se levante) e sem retirá-lo da água, para evitar que a bomba se desative.
6. Quando tenha concluído a limpeza, limpe o filtro antes de colocá-lo na sua posição habitual.

RECOMENDAÇÕES:

- É obrigatório verificar que os orifícios de aspiração não estão obstruídos.
- É obrigatório deter a filtração durante as operações de manutenção do sistema de filtração.
- Verifique periodicamente o nível de lubrificação do filtro.

A manutenção e a hibernação do filtro de areia precisam de evacuações de água. É imprescindível prever as evacuações para a instalação do grupo de filtração.

TRATAMENTO DA ÁGUA

Seja qual for o sistema de filtração utilizado, é necessário tratar quimicamente a água da piscina para destruir as bactérias e os micro-organismos e para evitar o crescimento de algas. Podem ser utilizados vários produtos de esterilização, como o cloro, o bromo, o oxigénio, etc.

Solicite assessoramento a um vendedor de produtos de tratamento para piscinas para tomar uma decisão. **Em primeiro lugar, deve ser verificado o nível de pH por meio de um equipamento de análise. Lembre a que os frascos de teste têm uma validade de apenas um ano. O nível ideal está entre 7,2 e 7,4 quanto ao pH, e em 1,5 quanto ao CLORO.** Retifique este nível mediante corretores de pH (aumentadores e minoradores). A quantidade de produtos é proporcional à cubicagem da sua piscina. Para o tratamento do tanque, consulte as indicações que constam do produto que escolhesse para a piscina. **pH** (potencial de hidrogénio): é obrigatório manter sempre o pH da água entre 7,2 e 7,4 porque por baixo desses valores a água torna-se corrosiva (devido à sua acidez) e deteriora rapidamente as peças metálicas da piscina. Por cima desses valores, a água é básica e reduz em grande medida a ação do tratamento.

Nunca introduza pastilhas de cloro diretamente no tanque. O liner «queimar-se-ia». As pastilhas devem ser colocadas no cesto do skimmer.

INFORMAÇÃO DE SEGURANÇA

Antes de instalar e de utilizar a piscina, leia atentamente a informação incluída neste manual, assimile-a e cumpra-a. Os anúncios, as instruções e as ordens de segurança dizem respeito a alguns dos riscos mais habituais relativos ao lazer na água, mas não cobrem a totalidade dos riscos e perigos que podem surgir. Seja prudente e tenha senso crítico e senso comum quando praticar atividades aquáticas. Guarde esta informação para ulteriores consultas.

Quando a piscina atingir o final da sua vida útil, deverá ser desmontada e os distintos materiais (plástico e aço) segregados e transportados para o Ecoponto especificado pelas autoridades locais.

Segurança de quem não sabem nadar:

Sempre é necessária a vigilância atenta, ativa e contínua por parte de um adulto responsável sobre as crianças que não sabem nadar ou que não o fazem bem (tenha em conta que o risco de afogamento mais elevado é o que atinge as crianças de menos de cinco anos).

- Tente que um adulto responsável vigile a piscina sempre que é utilizada.
- É conveniente que as crianças que não sabem nadar ou que não o fazem bem contem com equipamentos de proteção individual quando utilizem a piscina.
- Quando a piscina não seja utilizada ou se encontre sem vigilância, deve retirar todos os brinquedos dela a fim de evitar que as crianças se aproximem dela.

Dispositivos de segurança

- É recomendável instalar uma barreira (e, se for caso disso, instalar elementos de segurança em portas e janelas) a fim de evitar qualquer acesso não autorizado à piscina.
- As barreiras, as coberturas, os alarmes para piscinas ou os dispositivos de segurança análogos, são úteis, mas não substituem a vigilância contínua por parte de um adulto responsável.

Equipamento de segurança

- É recomendado dispor de material de salvamento (uma boia, por exemplo) perto da piscina.
- Tenha um telefone em perfeito estado e uma listagem de números de emergências perto da piscina.

Uso seguro da piscina

- Encoraje todos os usuários, especialmente as crianças, a aprender a nadar.
- Aprenda técnicas de salvamento (reanimação cardiopulmonar) e atualize periodicamente os seus conhecimentos. Isto pode salvar uma vida numa emergência.
- Explique aos usuários da piscina – também às crianças – o procedimento que devem seguir em caso de urgência.
- Nunca mergulhe em piscinas pouco profundas, dado que pode sofrer lesões graves ou mortais.
- Não utilize a piscina após ter ingerido álcool ou medicamentos suscetíveis de reduzir a sua capacidade de o fazer em condições de segurança total.
- Se a piscina estiver tapada por uma cobertura, deverá retirá-la completamente da superfície da água antes de entrar.
- Trate a água da sua piscina e estabeleça boas práticas de higiene para proteger os usuários de doenças relacionadas com a água. Consulte como tratar a água no manual de instruções.
- Mantenha fora do alcance das crianças os produtos químicos (produtos de tratamento da água, de limpeza ou de desinfeção, por exemplo).
- É obrigatório colocar os pictogramas incluídos numa posição visível a menos de 2 m da piscina.
- Coloque as escadas móveis sobre uma superfície horizontal.

ATENÇÃO:

Qualquer aparelho eléctrico alimentado com 220 V, deve estar situado pelo menos a 3,50 m do borde da piscina. O aparelho deve ser ligado a uma tomada de corrente alterna, com ligação à terra, protegida com um interruptor diferencial (RCD) com uma corrente de funcionamento residual que não exceda os 30 mA.

Leia atentamente estas instruções, e guardeas para futuras consultas.

EM CASO DE PROBLEMA...¡CONSULTAR-NOS!

CONSULTA:

web: www.service-gre.com



NORMAL MAINTENANCE

RESPECT THE ENVIRONMENT

DO NOT TAKE APART THE POOL UNLESS IT IS STRICTLY NECESSARY. IF YOU DO SO, PLEASE REUSE THE WATER. WATER IS A SCARCE GOOD.

MAINTENANCE AND USE:

- Switch on the filter system once a day in to insure a complete water volume renewal and never do it when somebody is in the pool (see filter manual).
- Check the filter's level of clogging regularly in summer when the pool kit is in use.
- Check screws, nuts and washers (for rust).
- The pool water level has always to be hold in a minimum of 15 cm from the pool superior edge.
- Never empty the pool completely. Low water levels may cause serious damage to the pool.
- Failure to comply with the maintenance instructions may lead to serious health risks, especially for children.
- The use of a swimming costume entails respect for the safety regulations set out in the maintenance and user guide.
- Never leave a pool kit empty on the ground, outdoors.
- Clean regularly the P.V.C liner and the water level mark with non-abrasive products. Regularly clean the fold joining the bottom to the side of the liner, as it is an area where dirt accumulates. If you do by accident a small hole in the liner, you can repair it thanks to our rubber patches AR202 or V12.
- The isothermic covers (for the summer) protect your pool from insects, dust, leaves,... and avoid to loose the water temperature. Do always set it in order the bubbles are in contact with the water.

WINTER-SEASON:

- 1- Clean the liner bottom and sides with a non-abrasive product.
 - 2- Treat the water with a chemical product for wintering. We recommend using LIQUID WINTERISER instead of floats with solid product to avoid discolouring the liner.
 - 3- Leave the pool full of water considering:
 - a) For pools with skimmer and refilling pipe, reduce the water level 5 cm underneath the skimmer and close the refilling pipe with the screw tap which is included with the filter.
 - b) For pools with exhaustion and refilling pipes, reduce the water level 20 cm from the superior edge of the pool and close the pipes using the screw system incorporated.
 - 4- Disconnect the pipes. Do not dismount the skimmer and the refilling and exhaustion pipes.
 - 5- Protect the pool with a winter cover, and put a floating element between the cover and the water, in order to protect it from frost.
 - 6- Filter: disconnect it from the pool. Clean it, empty the sand or remove the cartridge, dry it and keep it in a covered and sheltered from dampness place.
 - 7- Accessories: remove every accessories (ladder, alarm, spotlight, pole...), rinse them with soft water and tidy them away.
- TO RUN THE POOL AGAIN:** Remove the winter cover, install the filter, change at least 1/3 of water and realize a chlorine treatment. Switch on the filter for at least 8 hours in an uninterrupted way, respecting the continuous working period indicated in the filter manuals.

CHIMICAL MEASURES:

Please read carefully the chemical product manufacturer instructions. **WARNING:** Keep chemical products in a clean, dry and out of children place. Important: Every products used have to be compatible with the P.V.C liner.

- First filling: Analyse the water pH and chlorine (Cl) and adjust them to the optimal levels: pH: 7,2 – 7,6; Chlorine: 0.5 – 2 ppm.
- Chlorine treatments: Consist in increasing the chlorine level until approximatively 20 ppm to eliminate germs and seaweeds. This process has to be done only when the pool water comes from rivers or ponds, ... or if it stayed a long time without any treatments.
- Checking: Check at least once a week the chlorine levels (use a chlorine and pH analyser). In the same way, we advise to add an algicid to prevent seaweeds appearance.

Never have a swim before the chlorine level stabilization. Do always use a floating dispenser for the chemical product (tablets) dissolution. The chemical product measuring out has to be done in accordance with: Your pool water volume, the bathe frequency, the climatic conditions, the water temperature and the location. Do always move the water and wait for the chemical product dissolution before adding another one. Wait approximatively 12 hours between any pH, chlorine or algicid adjustment using the filter

system.

MECHANICAL MEASURES:

Check the filter, the skimmer, the valves and the pipes are well connected to the pool. Do consider high water temperature will involved more time for the filtering. Theoretic filtering time = Water volume / Filter system discharge (generally 8h/day with water temperature of 21°C), (Ideal: 2h in the morning – 4h around midday – 2h in the afternoon). PLEASE RESPECT THE CONTINUOUS WORKING PERIOD INDICATED IN THE FILTER MANUALS.

VACUUM CLEANER (MANUAL OR AUTOMATIC):

Only for pools with skimmer. Connect an hose extremity to the brush head and immerse it into the water to make it fill in. Connect the other pipe extremity to the exhaustion adapter (TA) and place it above the skimmer basket. Switch on the filter in the FILTER position and begin to clean the bottom. Pay special attention to areas with folds where dirt accumulates.

BOTTOM CLEANER VENTURY STYLE:

Connect a garden hose to the bottom cleaner join and introduce it into the pool. Open the tap until a normal pressure to make the water flow out against the bottom of the pool, producing in that way an ascendant stream which leave the dirt into the filter (bag) which is adjust on the bottom cleaner.

EFFECTS	CAUSES	SOLUTIONS
Cloudy water Green coloured	<ul style="list-style-type: none"> • Dirty filter • pH incorrect • Formation of algae 	<ul style="list-style-type: none"> • Washing the filter. • Re-adjustment • Shock treatment
The pump does not start	<ul style="list-style-type: none"> • Breaker disconnected • Fuse burnt • Turbine blocked 	<ul style="list-style-type: none"> • Re-start • Replace it • Check that the fan at the rear of the motor turns
The pump turns but does not discharge	<ul style="list-style-type: none"> • Suction flaps closed • The skimmer sucks air • Pre-filter full • Air inlet in the cover • Defective turbine 	<ul style="list-style-type: none"> • Open them again • Rectify water level • Clean it • Check the seal and change the pre-filter cover • Change the turbine
The skimmer does not suck	<ul style="list-style-type: none"> • Basket full • Flap not closed well • Water level too low 	<ul style="list-style-type: none"> • Empty it • Open it • Re-adjust it
Dirty water returned to pool	<ul style="list-style-type: none"> • Filter obstructed 	<ul style="list-style-type: none"> • Wash it, rinse it
Pressure in pressure gauge too high	<ul style="list-style-type: none"> • Filter washing badly done • Outlet flap closed 	<ul style="list-style-type: none"> • Repeat it • Open the trap, check condition of sand (change it every 3 or 4 years)
The pool cleaner does not suck or does not suck enough	<ul style="list-style-type: none"> • Pre filter obstructed • Corresponding flap closed • Tube worn or perforated • Air in the tubes • Other flaps open • Dirty filter 	<ul style="list-style-type: none"> • Clean it • Open it • Replace it • Purge and wait for priming • Close them • Clean it
Corrosion marks	<ul style="list-style-type: none"> • pH very low 	<ul style="list-style-type: none"> • Increase pH to 7,2-7,4
Sand in the pool	<ul style="list-style-type: none"> • Mesh broken • Manipulation of the multi-directional flap with the pump working • Filter inversely connected The tubes have been inverted during assembly. 	<ul style="list-style-type: none"> • Change the mesh • Change the multi-directional flap • Correctly connect the filter

MANTENIMIENTO HABITUAL

RESPETA EL MEDIO AMBIENTE

«NO DESMONTE LA PISCINA SI NO ES ESTRICTAMENTE NECESARIO. EN CASO DE HACERLO, LE ROGAMOS REUTILICE EL AGUA. EL AGUA ES UN BIEN ESCASO.»

- Durante la temporada de uso de un kit de piscina ponga a funcionar el sistema de filtración una vez al día para asegurar un renovamiento completo del volumen de agua y siempre cuando no se esté utilizando la piscina para el baño (ver manual de la depuradora).
- Durante la temporada de uso de la piscina verificar regularmente el nivel de obstrucción del medio filtrante.
- Revisar toda la tornillería de la piscina, los posibles puntos de corrosión en la medida que sea posible.
- El nivel de agua de la piscina debe mantenerse siempre como mínimo a 15 cm del borde superior de la misma.
- Nunca vacíe totalmente la piscina. Corre el peligro de dañar gravemente la estructura de su piscina si no hay nivel suficiente de agua.
- El hecho de no respetar las consignas de mantenimiento puede ocasionar riesgos graves para la salud, especialmente para los niños.
- La utilización de un kit de piscina implica el respeto de las consignas de seguridad descritos en la guía de mantenimiento y uso.
- No dejar un kit de piscina para colocar sobre el suelo en el exterior vacío.
- Limpie regularmente el Liner P.V.C. y la línea del nivel de agua con productos no abrasivos. Limpiar periódicamente el pliegue de unión del fondo con el lateral del liner ya que es una zona de acumulación de suciedad. Si Ud. por accidente hace un pequeño agujero en el liner, puede repararlo con nuestros parches AR202 ó V12.
- Las cubiertas de verano (isotérmicas) protegen su piscina de insectos, polvo, hojas, etc. y evitan la pérdida de temperatura del agua. Colóquela siempre con las burbujas en contacto con el agua.

INVIERNO:

- 1- Limpiar el fondo y las paredes del liner con un producto no abrasivo.
 - 2- Tratar el agua con producto químico de invernaje. Se recomienda el uso de INVERNADOR LÍQUIDO en lugar de boyas con producto sólido para evitar las decoloraciones del liner
 - 3- Dejar la piscina llena de agua, teniendo en cuenta:
 - a) Para piscinas con skimmer y válvula de retorno nivel de agua, 5 cm por debajo del skimmer y cerrar la válvula de retorno con el tapón de rosca que se adjunta con la depuradora.
 - b) Para piscinas con válvulas de admisión y retorno nivel de agua a 20 cm del borde superior de la piscina, cerrando las válvulas mediante el sistema de rosca que incorporan.
 - 4- Desconectar las mangueras. No desmontar el skimmer ni las válvulas.
 - 5- Proteger la piscina con una cubierta de invierno, colocando un elemento flotante entre ésta y el agua, con el fin de protegerla contra el frío.
 - 6- Depuradora: desconectarla de la piscina. Limpiarla, vaciar la arena o sacar el cartucho, secarla y guardarla en un lugar cubierto y sin humedad.
 - 7- Accesorios: quitar todos los accesorios (escalera, alarma, foco, pértiga,...), limpiarlos con agua dulce y guardarlos.
- NUEVA PUESTA EN MARCHA:** Quitar la cubierta de invierno, instalar la depuradora, cambiar al menos 1/3 del agua y realizar una Cloración de Choque. Poner la depuradora en funcionamiento al menos durante 8 horas ininterrumpidamente.

MEDIOS QUÍMICOS:

Lea con atención las instrucciones del fabricante del producto químico. **ATENCIÓN:** Guarde los productos químicos en un lugar limpio, seco y fuera del alcance de los niños. **Importante:**

Todos los productos utilizados deben ser compatibles con el liner de P.V.C.

- Primer llenado: Analizar el pH y Cloro (Cl) del agua y ajustarlos a los niveles óptimos: pH: 7,2 - 7,6 ; Cloro: 0,5 - 2 ppm.
- Cloración de choque: Consiste en aumentar el nivel de cloro hasta 20 ppm aprox. para eliminar las bacterias y algas. Sólo la realizaremos cuando el agua de la piscina provenga de ríos, estanques,... o lleve mucho tiempo sin tratamiento.
- Controles: Revisar, al menos una vez a la semana, los niveles de pH y Cloro. (Utilice un analizador de Cloro y pH). Así mismo, deberá añadir Algicida para prevenir la formación de algas.

Nunca bañarse hasta que se establezca el nivel de cloro. Utilizar siempre un Dosificador flotante para la disolución del producto químico (pastillas). La dosificación de los productos químicos se hace en función de: El volumen de agua de su piscina, la frecuencia del baño, las condiciones climáticas, temperatura del agua y ubicación. Siempre remover el agua y esperar a la disolución de un producto químico antes de añadir otro. Espere más o menos 12 h. entre cada ajuste de pH, de Cloro, o de antialgas haciendo funcionar el sistema de filtración.

MEDIOS MECÁNICOS:

Comprobar que la depuradora, skimmer, válvulas y mangueras estén correctamente conectadas a la piscina. Tenga en cuenta que a mayor temperatura del agua necesitará más tiempo de filtración. Tiempo filtración teórico = Volumen de agua / Caudal del sistema de filtración (generalmente 8 h/día con la temperatura del agua a 21°C), (Ideal: 2 h. por la mañana - 4 h. a medio día - 2 h. por la tarde). Respete los periodos en continuo indicados en los manuales de las depuradoras.

LIMPIA FONDOS POR ASPIRACIÓN (MANUAL O AUTOMÁTICO):

Sólo para piscinas con skimmer. Conectar un extremo de la manguera del limpia fondos a la barredera y sumergirlo en el agua para que se llene la manguera. Conectar el otro extremo de la manguera a la Tapa de Aspiración (TA) y situarlo encima del cesto del skimmer. Poner en marcha la depuradora en posición FILTER y comenzar a limpiar el fondo. Especial atención a zonas con pliegues donde se acumule la suciedad.

LIMPIA FONDOS TIPO VENTURY:

Acoplar una manguera de jardín al cabezal del limpia fondos e introducirlo dentro de la piscina. Abrir el grifo a una presión normal para que el agua fluya contra el fondo de la piscina, produciendo una corriente ascendente que deposita la suciedad en el filtro que incorpora el limpia fondos.

EFFECTOS	CAUSAS	REMEDIOS
Agua turbia verdosa	<ul style="list-style-type: none"> • Filtro sucio • pH incorrecto • Formación de algas 	<ul style="list-style-type: none"> • Lavado del filtro • Reajuste • Tratamiento de choque
La bomba no arranca	<ul style="list-style-type: none"> • Disyuntor saltado • Fusible quemado • Turbina bloqueada 	<ul style="list-style-type: none"> • Volver a encenderlo • Sustituirlo • Comprobar que el ventilador detrás del motor gira
La bomba gira pero no descarga	<ul style="list-style-type: none"> • Trampillas de aspiración cerradas • El skimmer aspira aire • Prefiltro lleno • Toma de aire en la cubierta • Turbina defectuosa 	<ul style="list-style-type: none"> • Abrirlas de nuevo • Rectificar el nivel de agua • Limpiarlo • Comprobar la junta y cambiar la cubierta prefiltro • Cambiar la turbina
El skimmer no aspira	<ul style="list-style-type: none"> • Cestillo lleno • Trampilla mal cerrada • Nivel de agua demasiado bajo 	<ul style="list-style-type: none"> • Vaciarlo • Abrirla • Reajustarlo
Agua sucia devuelta a la piscina	<ul style="list-style-type: none"> • Filtro obstruido 	<ul style="list-style-type: none"> • Lavarlo, aclararlo
Presión del manómetro demasiado alta	<ul style="list-style-type: none"> • Lavado del filtro mal realizado • Trampilla de salida cerrada 	<ul style="list-style-type: none"> • Repetirlo • Abrir la trampilla, controlar el estado de la arena (cambiarla cada 3 o 4 años)
El limpiafondos no aspira o aspira poco	<ul style="list-style-type: none"> • Prefiltro obstruido • Trampilla correspondiente cerrada • Tubo desgastado o perforado • Aire en los tubos • Otras trampillas abiertas • Filtro sucio 	<ul style="list-style-type: none"> • Limpiarlo • Abrirla • Sustituirlo • Purgar y esperar al cebado • Cerrarlas • Limpiarlo
Marcas de corrosión	<ul style="list-style-type: none"> • pH muy bajo 	<ul style="list-style-type: none"> • Aumentar el pH a 7,2-7,4
Arena en el vaso	<ul style="list-style-type: none"> • Rejilla rota • Manipulación de la trampilla multidireccional con la bomba en funcionamiento • Filtración conectada al contrario. Se han invertido las tuberías en el montaje. 	<ul style="list-style-type: none"> • Cambie la rejilla • Cambie la trampilla multidireccional • Conecte la filtración correctamente

ENTRETIEN COURANT

RECOMMANDATION POUR L'ENVIRONNEMENT :

«NE DÉMONTÉZ PAS LA PISCINE SI CELA N'EST PAS ABSOLUMENT NÉCESSAIRE. EN CAS DE DÉMONTAGE, NOUS VOUS PRIONS DE RÉUTILISER L'EAU. IL N'Y A PAS D'EAU EN TROP».

ENTRETIEN ET UTILISATION:

- Durant la saison d'utilisation du kit piscine, le système de filtration doit obligatoirement être mis en service chaque jour, suffisamment longtemps pour assurer au moins un renouvellement complet du volume d'eau.
- Durant la saison d'utilisation du kit piscine, vérifier régulièrement le niveau d'encrassement du média filtrant.
- Surveiller la boulonnerie et la visserie (par exemple : traces de rouille) lorsque c'est possible.
- Le niveau d'eau de la piscine doit toujours être maintenu au minimum à 15 cm du rebord supérieur de celle-ci.
- Ne videz jamais complètement la piscine. Vous risqueriez d'endommager gravement la structure de votre piscine si le niveau d'eau n'est pas suffisant.
- Le non-respect des consignes d'entretien peut engendrer des risques graves pour la santé, notamment celle des enfants.
- L'utilisation d'un kit piscine implique le respect des consignes de sécurité décrites dans la notice d'entretien et d'utilisation.
- Ne pas laisser un kit piscine à poser sur le sol à l'extérieur, vide.
- Nettoyer régulièrement le liner PVC et la ligne du niveau de l'eau avec des produits non abrasifs. Nettoyez périodiquement le pli d'union du fond au latéral du liner car c'est une zone où la saleté s'accumule. Si vous faites par accident un petit trou dans le liner, vous pouvez le réparer avec nos rustines AR202 ou V12.
- Les bâches d'été (isothermes) protègent votre piscine des insectes, poussière, feuilles, etc. et évitent la perte de température de l'eau. Placez-la toujours avec les bulles en contact avec l'eau.

HIVERNAGE :

- 1- Nettoyer le fond et les parois du liner avec un produit non abrasif.
 - 2- Traiter l'eau avec un produit d'hivernage. Il est recommandé d'utiliser un HIVERNAGE LIQUIDE au lieu de flotteurs avec un produit solide pour éviter de décolorer le liner.
 - 3- Laisser la piscine remplie d'eau en tenant compte que:
 - a) Pour les piscines avec skimmer et buse de refoulement baisser le niveau de l'eau 5 cm en dessous du skimmer et fermer la buse de refoulement avec le bouchon à vis qui est joint à l'épurateur.
 - b) Pour les piscines avec buses d'aspiration et de refoulement baisser le niveau de l'eau à 20 cm du rebord supérieur de la piscine, en fermant les buses par le système de vis qui est incorporé.
 - 4- Déconnecter les tuyaux. Ne pas démonter le skimmer ni les buses.
 - 5- Protéger la piscine avec une bâche d'hivernage, en mettant un élément flottant entre celle-ci et l'eau, afin de la protéger du gel.
 - 6- Epurateur : le déconnecter de la piscine. Le nettoyer, vider le sable ou enlever la cartouche, le sécher et le conserver dans un endroit couvert et à l'abri de l'humidité.
 - 7- Accessoires : enlever tous les accessoires (échelle, alarme, projecteur, perche,...), les nettoyer à l'eau douce et les ranger.
- REMISE EN MARCHÉ : Enlever la bâche d'hivernage, installer l'épurateur, changer au moins 1/3 de l'eau et réaliser une chloration de choc. Mettre l'épurateur en fonctionnement pendant au moins 8 heures en respectant les périodes de fonctionnement en continu indiquées sur les manuels des épurateurs.

TRAITEMENTS CHIMIQUES :

Lisez avec attention les instructions du fabricant du produit chimique. ATTENTION: Conserver les produits chimiques dans un endroit propre, sec et hors de portée des enfants.

Important : Tous les produits utilisés doivent être compatibles avec le liner en PVC.

- Premier remplissage : Analyser le pH et le Chlore (Cl) de l'eau et les ajuster aux niveaux optimum : pH : 7,2 – 7,6 ; Chlore : 0,5 – 2 ppm.
- Chloration choc : Cela consiste à augmenter le niveau de chlore jusqu'à 20 ppm approximativement pour éliminer les bactéries et algues. La réaliser uniquement lorsque l'eau de la piscine provient de puits, étangs,... ou lorsqu'elle est restée longtemps sans traitement.
- Contrôles : Contrôler, au moins une fois par semaine, les niveaux de pH et Chlore. (Utilisez un analyseur de Chlore et pH) De même, vous devrez rajouter de l'algicide pour prévenir la formation des algues. Ne jamais se baigner jusqu'à ce que le niveau de chlore soit stabilisé. Toujours utiliser un dosificateur flottant pour la dissolution du produit chimique (pastilles). Le dosage des produits chimiques se fait en fonction de : le volume d'eau de votre piscine, la fréquence des baignades, les conditions climatiques, température de l'eau

et emplacement. Toujours agiter l'eau et attendre la dissolution d'un produit chimique avant d'en rajouter un autre. Attendre environ 12 h. entre chaque ajustement de pH, de Chlore, ou d'anti-algues en faisant fonctionner le système de filtration.

TRAITEMENTS MECANIQUES :

Vérifier que l'épurateur, skimmer, buses et tuyaux soient correctement connectés à la piscine. Tenez en compte que plus la température de l'eau est élevée, plus long sera le temps de filtration. Temps de filtration théorique = volume d'eau / débit du système de filtration (généralement 8h/jour avec la température de l'eau à 21°C), (Idéal : 2h le matin – 4h à la mi journée – 2h l'après-midi) Bien respecter les périodes de fonctionnement en continu indiquées sur les manuels des épurateurs.

ASPIRATEUR DE FOND PAR ASPIRATION (MANUEL OU AUTOMATIQUE) :

Uniquement pour les piscines avec skimmer. Connecter une extrémité du tuyau à la tête du balai et le plonger dans l'eau pour qu'il se remplisse. Connecter l'autre extrémité du tuyau à l'adaptateur d'aspiration (TA) et le mettre sur le panier du skimmer. Mettre en marche l'épurateur en position FILTER et commencer à nettoyer le fond. Faire attention dans les zones à plis là où s'accumule la saleté.

ASPIRATEUR DE FOND TYPE VENTURY :

Assembler un tuyau d'arrosage sur l'embout de l'aspirateur de fond et l'introduire dans la piscine. Ouvrir le robinet à une pression normale pour que l'eau coule vers le fond de la piscine, produisant ainsi un courant ascendant qui récupère la saleté et la dépose dans le filtre installé sur l'aspirateur de fond.

EFFETS	CAUSES	REMÈDES
Eau trouble devenant verte	<ul style="list-style-type: none"> • Filtre encrassé • pH incorrect • Formation d'algues 	<ul style="list-style-type: none"> • Filtre encrassé • pH incorrect • Formation d'algues
Pompe ne démarrant pas	<ul style="list-style-type: none"> • Disjoncteur sauté • Fusible grillé • Turbine bloquée 	<ul style="list-style-type: none"> • Le réenclencher • Le remplacer • Vérifier que le ventilateur à l'arrière du moteur tourne
Pompe tournant mais ne débitant pas	<ul style="list-style-type: none"> • Vannes d'aspiration fermées • Skimmer aspire de l'air • Pré filtre plein • Prise d'air au couvercle • Turbine défectueuse 	<ul style="list-style-type: none"> • Les rouvrir • Rectifier le niveau d'eau • Le nettoyer • Vérifier le joint et remplacer le couvercle pré-filtre • Changer la turbine
Pas d'aspiration au skimmer	<ul style="list-style-type: none"> • Panier non vidé • Vanne mal fermée • Niveau d'eau trop bas 	<ul style="list-style-type: none"> • Le vider • L'ouvrir • Le réajuster
Eau sale refoulée dans la piscine	<ul style="list-style-type: none"> • Filtre colmaté 	<ul style="list-style-type: none"> • Le laver, le rincer
Pression au manomètre trop haute	<ul style="list-style-type: none"> • Lavage de filtre mal fait • Vanne de refoulement fermée 	<ul style="list-style-type: none"> • Le refaire • Ouvrir la vanne, contrôler l'état du sable (à changer tous les 3 ou 4 ans)
Pas ou peu d'aspiration au balai	<ul style="list-style-type: none"> • Pré filtre obstrué • Vanne correspondante fermée • Tuyau usé ou percé • Air dans les tuyaux • Autres vannes ouvertes • Filtre encrassé 	<ul style="list-style-type: none"> • Le laver • L'ouvrir • Le remplacer • Purger et attendre l'amorçage • Les fermer • Le nettoyer
Traces de corrosion	<ul style="list-style-type: none"> • pH trop faible 	<ul style="list-style-type: none"> • Elever le pH à 7,2-7,4
Sable dans le bassin	<ul style="list-style-type: none"> • Crépine cassée • Vanne multivoies manipulée avec pompe en fonctionnement. • Filtration branchée à l'envers. Les tuyauteries ont été inversées au montage. 	<ul style="list-style-type: none"> • Remplacer la crépine • Remplacer la vanne multivoie • Refaire un bon branchement de la filtration

ÜBLICHE INSTANDHALTUNG

UMWELTSCHUTZUNG

DEMONTIEREN SIE NICHT DAS SCHWIMMBECKEN, WENN DAS NICHT UNBEDINGT NÖTIG IST. IM FALLE SIE DAS MACHEN, VERWENDEN SIE BITTE DAS WASSER. DAS WASSER IST EIN KNAUSERIGES GUTE.

WARTUNG UND BENUTZUNG:

- Schalten Sie die Filteranlage einmal täglich ein, um sicher zu gehen, dass das gesamte Wasservolumen erneuert wird und immer dann, wenn das Pool nicht zum Baden benutzt wird. (Siehe Handbuch der Reinigungsanlage).
- Im Sommer, wenn die Poolanlage im Einsatz ist, Filter regelmäßig auf Verstopfung prüfen.
- Schrauben, Muttern und Unterlegscheiben (auf Rost) untersuchen.
- Der Poolwasserstand muss immer mindestens 15 cm unter der Pooloberrand liegen.
- Pool niemals vollkommen entleeren. Ein niedriger Wasserstand kann beträchtlichen Schaden am Pool hervorrufen.
- Die Nichtbeachtung der empfohlenen Wartungsarbeiten kann zu schweren Gesundheitsschäden, besonders für Kinder, führen.
- Die Nutzung eines Schwimmbad-Bausatzes setzt die Einhaltung der in den Betriebs- und Wartungsanleitung enthaltenen Sicherheitsvorschriften voraus.
- Poolanlage im Freien nicht leer auf dem Boden stehen lassen.
- PVC-Liner und Wasserlinie immer sauber halten und dazu nicht aggressive Reinigungsmittel verwenden. Reinigen Sie regelmäßig die Falte, die den Boden mit dem Seitenteil des Liners verbindet, da sich in diesem Bereich leicht Schmutz ansammeln kann. Geringfügige Löcher, die im Liner entstehen könnten, lassen sich mit unseren Flickern AR202 oder V12 instandsetzen.
- Die (isothermische) Sommerabdeckung schützt Ihr Schwimmbad vor Insekten, Staub, Laub usw. und halten die Wassertemperatur. Bringen Sie sie so an, dass die Blasen direkt auf dem Wasser liegen.

ÜBERWINTERUNG:

- 1- Boden und Linerflächen mit einem nicht aggressiven Reinigungsmittel reinigen.
- 2- Das Wasser mit einem chemischen Überwinterungsstoff behandeln. Um Verfärbungen an der Auskleidung vorzubeugen, empfiehlt sich die Verwendung von FLÜSSIGEM ÜBERWINTERUNGSMITTEL statt Bojen mit festem Mittel.
- 3- Schwimmbad mit Wasser befüllen und dabei folgendes beachten:
 - a) Für Pools mit Skimmer und Rücklaufventil muss der Wasserstand bis ca. 5 cm unter dem Skimmer reichen; Rücklaufventil mit dem der Reinigungsvorrichtung beigefügten Stopfen verschließen.
 - b) Für Pools mit Zu- und Rücklaufventilen muss der Wasserstand bis ca. 20 cm unter dem oberen Poolrand reichen. Ventile mit Hilfe des eingebauten Gewindes schließen.
- 4- Schläuche abklemmen. Jedoch weder Skimmer noch Ventile ausbauen.
- 5- Schwimmbad mit einer Winterabdeckung bedecken und ein schwimmendes Element zwischen und Abdeckung und Wasser als Kälteschutz plazieren.
- 6- Die Reinigungsanlage ist vom Pool abzuklemmen und zu reinigen. Sand oder die Filterpatrone daraus entfernen. Anlage abtrocknen und an einem trockenen Ort unter Dach aufbewahren.
- 7- Zubehör: Alle Zubehörteile (Leiter, Alarmanlage, Scheinwerfer, Stange usw.) entfernen, mit Süßwasser reinigen und aufbewahren. **NEUE INBETRIEBNAHME:** Winterabdeckung entfernen, Reinigungsanlage installieren, mindestens ein Drittel des Wasservolumen erneuern und Schockchlorierung vornehmen. Reinigungsanlage mindestens 8 Stunden ununterbrochen laufen lassen.

CHEMISCHE PRODUKTE:

- Bitte lesen Sie sorgfältig die Anweisungen des Herstellers des chemischen Produktes. **WICHTIGER HINWEIS:** Bewahren Sie die chemischen Stoffe an einem sauberen, trockenen und Kindern nicht zugänglichen Ort auf. **Wichtiger Hinweis:** Alle eingesetzten Produkte müssen mit dem PVC-Liner kompatibel sein.
- Erste Befüllung: pH-Wert und Chlorgehalt (Cl) des Wassers feststellen und auf die optimalen Werte einstellen: pH: 7,2-7,6 ;Chlor 0,5-2 ppm.
 - Schock-chlorierung: Dabei wird der Chlorgehalt zur Beseitigung von Bakterien und Algen bis ca. 20 ppm eingestellt, Schockchlorierung ist jedoch nur angezeigt, wenn das Poolwasser aus Flüssen, Teichen usw. stammt oder längere Zeit nicht behandelt wurde.
 - Kontrollen: Mindestens einmal wöchentlich pH-Wert und Chlorgehalt überprüfen. (Dazu Chlor- und pH-Analysator verwenden). Außerdem ist ein Algenvertilgungsmittel beizugeben, um Algenbildung zu unterbinden. Das Schwimmbad darf keinesfalls benutzt

werden, bevor nicht der Chlorgehalt eingestellt ist. Zum Auflösen des chemischen Produktes (Pastillen) verwenden Sie immer einen Schwimmdosierer. Die Dosierung chemischer Produkte erfolgt in Abhängigkeit: vom Wasservolumen Ihres Pools, der Badehäufigkeit, den klimatischen Bedingungen, der Wassertemperatur und dem Standort. Nach dem Eindosieren immer rühren und abwarten, bis sich das chemische Produkt gelöst hat, bevor ein weiteres zugegeben wird. Zwischen einer Einstellung des pH-, Chlorwertes und des Algenvertilgungsmittelwertes und der nächsten, lassen sie mehr oder weniger 12 Stunden beim gleichzeitigem Betrieb der Filteranlage verstreichen.

MECHANISCHE MITTEL:

Stellen Sie sicher, dass Reinigungsanlage, Skimmer, Ventile und Schläuche korrekt an das Pool angeschlossen sind. Bedenken Sie dabei, dass die Filtrierzeit umso länger ist, je höher die Wassertemperatur ist. Theoretische Filtrierzeit = Wasservolumen / Durchflussmenge des Filtersystems (im Allgemeinen 8 h/Tag bei einer Wassertemperatur von 21°C), (Ideal: 2 Std.. morgens - 4 Std. mittags - 2 Std. nachmittags).

BODENREINIGUNG DURCH ABSAUGUNG (MANUELL ODER AUTOMATISCH):

Nur für Schwimmbäder mit Skimmer. Schlauchende des Bodenreinigers an die Kehrvorrichtung anschließen und ins Wasser tauchen, damit sich der Schlauch füllt. Das andere Schlauchende mit dem Saugdeckel (TA) verbinden und in den Skimmerkorb setzen. Reinigungsanlage in Stellung FILTER in Gang setzen und mit der Bodenreinigung beginnen. Auf Faltenbereiche, in denen sich Schmutz ansammelt, ist besonders zu achten.

VENTURIBODENREINIGER:

Einen Gartenschlauch mit dem Kopf des Bodenreinigers verbinden und in das Schwimmbad einführen. Hahn mit normalem Druck öffnen, damit das Wasser gegen den Poolboden fließt und so ein aufsteigender Strom entsteht, durch den der Schmutz in den Bodenreiniger eingebauten Filter gelangt.

AUSWIRKUNGEN	URSACHEN	HILFSMITTEL
Trübes Wasser grünlich	<ul style="list-style-type: none"> • Filter schmutzig • pH falsch • Algenbildung 	<ul style="list-style-type: none"> • Reinigung des Filters • In Ordnung bringen • Schockbehandlung
Die Pumpe springt nicht an	<ul style="list-style-type: none"> • Leitungsschutzschalter herausgesprungen • Sicherung durchgebrannt • Turbine blockiert 	<ul style="list-style-type: none"> • Erneut einschalten • Ersetzen • Prüfen, ob sich der Entlüfter hinter dem Motor dreht
Die Pumpe dreht sich, aber entleert nicht	<ul style="list-style-type: none"> • Ansaugklappen geschlossen • Skimmer saugt Luft an • Vorfilter voll • Lufteinlass in der Abdeckung • Turbine defekt 	<ul style="list-style-type: none"> • Erneut öffnen • Wasserpegel korrigieren • Säubern • Dichtung prüfen und Abdeckung Vorfilter austauschen • Turbine austauschen
Skimmer saugt nicht an	<ul style="list-style-type: none"> • Körbchen voll • Klappe schlecht geschlossen • Zu niedriger Wasserpegel 	<ul style="list-style-type: none"> • Leeren • Öffnen • Nachregulieren
Schmutziges Wasser fließt in den Pool zurück	<ul style="list-style-type: none"> • Filter verstopft 	<ul style="list-style-type: none"> • Waschen, nachspülen
Druck des Druckanzeigers zu hoch	<ul style="list-style-type: none"> • Reinigung des Filters schlecht durchgeführt • Auslassklappe geschlossen 	<ul style="list-style-type: none"> • Wiederholen • Klappe öffnen, Zustand des Sandes kontrollieren (alle 3 oder 4 Jahre ersetzen)
Beckenreinigers saugt nicht oder wenig an	<ul style="list-style-type: none"> • Verstopfter Vorfilter • Entsprechende Klappe geschlossen • Schlauch abgenutzt oder perforiert • Luft in den Schläuchen • Andere Klappen geöffnet • Schmutziger Filter 	<ul style="list-style-type: none"> • Säubern • Öffnen • Ersetzen • Entlüften und auf Zündung warten • Schließen • Säubern
Korrosionsspuren	<ul style="list-style-type: none"> • pH sehr niedrig 	<ul style="list-style-type: none"> • pH auf 7,2 - 7,4 erhöhen
Sand im Becken	<ul style="list-style-type: none"> • Gitter defekt • Handhabung der Mehrrichtungsklappe mit laufender Pumpe • Filtration falsch herum angeschlossen. Bei der Montage wurden die Rohre umgekehrt. 	<ul style="list-style-type: none"> • Gitter austauschen • Mehrrichtungsklappe austauschen • Filtration richtig anschließen

MANUTENZIONE ORDINARIA

PRECAUZIONE PER L'ECOSISTEMA AMBIENTALE

NON SMONTARE LA PISCINA SE NON E' STRETTAMENTE NECESSARIO. NEL CASO LO FOSSE VI PREGHIAMO DI RIUTILIZZARE L'ACQUA. L'ACQUA NON VA SPRECATA.

USO E MANUTENZIONE:

- Porre in funzionamento il sistema di filtraggio una volta al giorno, per assicurare un rinnovamento completo del volume d'acqua e sempre quando non si sta utilizzando la piscina per il bagno (vedi manuale del depuratore).
- Controllare il livello di intasamento del filtro regolarmente durante l'estate quando la piscina è in uso.
- Controllare viti, dadi e rondelle (per la ruggine).
- Il livello d'acqua della piscina deve sempre essere come minimo a 15 cm dal bordo superiore della stessa.
- Non svuotare mai completamente la piscina. Il livello basso dell'acqua può causare seri danni alla piscina.
- La non osservanza delle istruzioni di manutenzione può provocare gravi rischi per la salute, in particolare per i bambini.
- L'utilizzo di un kit da piscina implica il rispetto degli standard di sicurezza descritti nella guida di manutenzione ed uso.
- Non lasciare mai la piscina vuota all'esterno.
- Pulire regolarmente il Liner P.V.C. e la linea del livello d'acqua con prodotti non abrasivi. Pulire periodicamente la piega d'unione del fondo con il laterale del liner, poiché è una zona di accumulo di sporco. Se incidentalmente si fa un piccolo foro nel liner, si può riparare con le nostre toppe AR202 o V12.
- Le coperture estive (isotermiche) proteggono la piscina da insetti, polvere, foglie, ecc..., ed evitano la perdita di temperatura dell'acqua. Montarla sempre con le bolle a contatto con l'acqua.

INVERNO:

- 1- Pulire il fondo e le pareti del liner con un prodotto non abrasivo.
 - 2- Trattare l'acqua con un prodotto chimico per l'inverno. Si raccomanda l'utilizzo di SVERNANTE LIQUIDO al posto di galleggianti con prodotto solido, per evitare lo scolorimento del liner.
 - 3- Lasciare la piscina piena d'acqua, ricordando che:
 - a) Per piscine con skimmer e valvola di ritorno livello d'acqua 5 cm al di sotto dello skimmer e chiudere la valvola di ritorno con il tappo filettato in dotazione al depuratore.
 - b) Per piscine con valvole di immissione e ritorno livello d'acqua a 20 cm dal bordo superiore della piscina, chiudendo le valvole mediante il sistema di filettatura incorporato.
 - 4- Staccare i tubi flessibili. Non smontare lo skimmer né le valvole.
 - 5- Proteggere la piscina con una copertura invernale, collocando un elemento galleggiante fra essa e l'acqua, allo scopo di proteggerla contro il freddo.
 - 6- Depuratore: staccarlo dalla piscina. Pulirlo, svuotare dalla sabbia o rimuovere la cartuccia, asciugarlo e riporlo in un luogo al coperto ed asciutto.
 - 7- Accessori: rimuovere tutti gli accessori (scaletta, allarme, faro, pertica), pulirli con acqua dolce e conservarli.
- NUOVO AVVIO:** Rimuovere la copertura invernale, installare il depuratore, cambiare almeno 1/3 dell'acqua ed eseguire una Clorazione d'Urto. Mettere in funzionamento il depuratore per almeno 8 ore ininterrotte.

MEZZI CHIMICI:

Leggere attentamente le istruzioni del fabbricante del prodotto chimico. **ATTENZIONE:** Conservare i prodotti chimici in un luogo asciutto e pulito, lontano dalla portata dei bambini. Importante: Tutti i prodotti utilizzati devono essere compatibili con il liner di P.V.C.

- Primo riempimento: Analizzare il pH e il Cloro (Cl) dell'acqua e regolarli agli indici ottimali: pH: 7,2 - 7,6 ; Cloro: 0,5 - 2 ppm.
- Consiste nell'aumentare l'indice di cloro sino a 20 ppm circa, allo scopo di eliminare i batteri e le alghe. Si realizzerà solo quando l'acqua della piscina proviene da fiumi, stagni, o dopo un lungo periodo senza trattamento.
- Controlli: Controllare almeno una volta alla settimana gli indici di pH e Cloro (utilizzare un analizzatore di Cloro e pH). Si dovrà inoltre aggiungere Algicida per prevenire la formazione di alghe. Non fare mai il bagno finché non si sarà stabilizzato l'indice di cloro. Utilizzare sempre un Dosatore galleggiante per la soluzione del prodotto chimico (pastiglie). La dosatura dei prodotti chimici si realizza in funzione: Del volume d'acqua della piscina, della frequenza di bagno, delle condizioni climatiche, della temperatura dell'acqua e dell'ubicazione. Rimuovere sempre l'acqua ed attendere la soluzione di un prodotto chimico prima di aggiungerne un altro. Attendere circa 12 ore fra una regolazione di pH, Cloro, o di antialghe, facendo funzionare il sistema di filtraggio.

MEZZI MECCANICI:

Verificare che il depuratore, lo skimmer, le valvole e i tubi flessibili siano correttamente collegati alla piscina. Tenere sempre presente che a maggior temperatura dell'acqua sarà necessario più tempo di filtraggio. Tempo filtraggio teorico = Volume d'acqua / Portata del sistema di filtraggio (in genere, 8 h/giorno con la temperatura dell'acqua a 21°C), (Ideale: 2 h. al mattino - 4 h. a mezzogiorno - 2 h. la sera).

PULISCI FONDO MEDIANTE ASPIRAZIONE (MANUALE O AUTOMATICO):

Solo per piscine con skimmer. Collegare un'estremità del tubo flessibile del pulisci fondo alla spazzatrice e sommergerlo nell'acqua fino a riempire il tubo. Collegare l'altra estremità del tubo flessibile al Coperchio di Aspirazione (TA) e situarlo sopra la cesta dello skimmer. Avviare il depuratore in posizione FILTER ed iniziare a pulire il fondo. Fare particolare attenzione alle zone con pieghe, in cui si accumula lo sporco.

PULISCI FONDO TIPO VENTURI:

Collegare un tubo flessibile da giardino alla testa del pulisci fondo e sommergerlo nella piscina. Aprire il rubinetto a una pressione normale affinché l'acqua fluisca contro il fondo della piscina, producendo una corrente ascendente che deposita lo sporco nel filtro di cui è dotato il pulisci fondo.

EFFETTI	CAUSE	SOLUZIONI
Acqua sporca verdastra	<ul style="list-style-type: none">• Filtro sporco• pH errato• Formazione di alghe	<ul style="list-style-type: none">• Lavaggio del filtro• Regolazione• Trattamento d'urto
La pompa non si avvia	<ul style="list-style-type: none">• Interruttore saltato• Fusibile bruciato• Turbina bloccata	<ul style="list-style-type: none">• Riaccenderlo• Sostituirlo• Verificare che la ventola dietro al motore giri
La pompa gira però non scarica	<ul style="list-style-type: none">• Sportelli di aspirazione chiusi• Lo skimmer aspira l'aria• Pre-filtro pieno• Presa d'aria nella copertura• Turbina difettosa	<ul style="list-style-type: none">• Aprirle di nuovo• Regolare il livello dell'acqua• Pulirlo• Verificare la guarnizione e cambiare la copertura del pre-filtro• Sostituire la turbina
Lo skimmer non aspira	<ul style="list-style-type: none">• Cestino pieno• Sportello chiuso male• Livello dell'acqua troppo basso	<ul style="list-style-type: none">• Svuotarlo• Aprirla• Regolarlo
Acqua sporca re immessa nella piscina	<ul style="list-style-type: none">• Filtro ostruito	<ul style="list-style-type: none">• Lavarlo, risciacquarlo
Pressione del manometro troppo alta	<ul style="list-style-type: none">• Lavaggio del filtro non efficace• Sportello di uscita chiuso	<ul style="list-style-type: none">• Ripetere• Aprire lo sportello, controllare lo stato della sabbia (cambiarla ogni 3 o 4 anni)
Il pulitore non aspira o aspira poco	<ul style="list-style-type: none">• Pre-filtro ostruito• Sportello corrispondente chiuso• Tubo corrosivo o perforato• Aria nei tubi• Altri sportelli aperti• Filtro sporco	<ul style="list-style-type: none">• Pulirlo• Aprirla• Sostituirlo• Pulire e aspettare l'avvio• Chiuderle• Pulirlo
Segni di corrosione	<ul style="list-style-type: none">• pH molto basso	<ul style="list-style-type: none">• Aumentare il pH a 7,2 - 7,4
Sabbia nella vasca	<ul style="list-style-type: none">• Grata rotta• Manipolazione dello sportello multi direzionale con la pompa in azione• Filtrazione collegata al contrario. Durante il montaggio sono state invertite le tubature.	<ul style="list-style-type: none">• Cambiare la rete• Cambiare lo sportello multi direzionale• Collegare la filtrazione correttamente

ROUTINEONDERHOUD

HOUD REKENING MET HET MILIEU

“HET ZWEMBAD NIET DEMONTEREN WANNEER HET NIET STRIKT NOODZAKELIJK IS. MOCHT DIT WEL ZO ZIJN DAN VERZOEKEN WIJ U HET WATER TE HERGEBRUIKEN. WATER IS NIET OVERVLOEDIG.”

ONDERHOUD EN GEBRUIK:

- Stel het filtratiesysteem eenmaal per dag in werking om van een volledige verversing van het watervolume verzekerd te zijn en doe dit altijd wanneer het zwembad niet voor het bad in gebruik is (zie de handleiding van de zuiveringsinstallatie).
- Controleer in de zomer regelmatig het verstoppingsniveau van de filter wanneer het zwembad in gebruik is.
- Controleer de schroeven, moeren en sluitringen (op roestvlekken).
- Het waterniveau van het zwembad moet altijd minstens tot op 15 cm vanaf de bovenrand van het zwembad worden gehandhaafd.
- Laat het zwembad nooit volledig leeglopen. Lage waterpeilen kunnen het zwembad ernstig beschadigen.
- Het feit niet de onderhoudsplichten te respecteren kan ernstige risico's voor de gezondheid opleveren, in het bijzonder voor kinderen.
- Het gebruik van een zwembadkit houdt in dat men de veiligheidsvoorschriften naleeft die in de onderhouds- en gebruiksaanwijzing staan beschreven.
- Laat een zwembadkit nooit leeg buiten op de grond liggen.
- Reinig regelmatig de Liner P.V.C. en de streep van het waterniveau met niet- bijtende middelen. Reinig regelmatig de verbindingsvouw van de bodem met de zijkant van de liner daar dit een zone is waarin het vuil zich gemakkelijk opeenhoopt. Mocht u per ongeluk een gaatje veroorzaken in de Liner dan kunt u dat repareren door onze plakkertjes AR202 of V12 te gebruiken.
- De zomerovertrekken (isothermische) beschermen uw zwembad tegen insecten, stof, bladeren enz. en voorkomen het verlies van de temperatuur van het water. Plaats deze zodanig dat de belletjes altijd in contact zijn met het water.

WINTER:

- 1- De bodem en de wanden van de Liner reinigen met een niet- bijtend middel.
 - 2- Het water behandelen met een chemisch overwinteringsproduct. Aangeraden wordt om OVERWINTERINGSVLOEISTOF te gebruiken in plaats van drijvers met een vast product om verleuring van de beclleding te voorkomen.
 - 3- Het zwembad vol laten staan met water, rekeninghoudende met:
 - a) Voor zwembaden met skimmer en terugvoerlep het waterniveau houden op 5 cm onder de skimmer en de terugvoerlep sluiten met de schroefdrop die aan de zuiveringsinstallatie is toegevoegd.
 - b) Voor zwembaden met inlaat- en terugvoerlep het waterniveau houden op 20 cm onder de bovenrand van het zwembad en de kleppen afsluiten met behulp van het bijgesloten schroefstelsel.
 - 4- De slangen losmaken. Nóch de skimmer nóch de kleppen demonteren.
 - 5- Het zwembad beschermen met een winterovertrek en daartussen en het water een drijvend element plaatsen teneinde het tegen de kou te beschermen.
 - 6- De zuiveringsinstallatie losmaken van het zwembad. Deze reinigen, van zand ontdoen of de zak verwijderen, drogen en opbergen op een overdekte plaats zonder vochtigheid.
 - 7- Accessoires: Alle hulpstukken verwijderen (trap, alarm, spot, stok, ...), met zoet water schoonmaken en opbergen.
- NIEUWE INWERKINGSTELLING: Het winterovertrek verwijderen, de zuiveringsinstallatie aanbrengen , minstens 1/3 van het water verwisselen en een schokchloring toepassen. De zuiveringsinstallatie op z'n minst gedurende 8 uur ononderbroken in werking stellen.

CHEMISCHE MIDDELEN:

- Lees aandachtig de instructies van de fabrikant betreffende het chemische product. BELANGRIJK: Bewaar de chemische producten op een schone, droge plaats en altijd buiten het bereik van kinderen. Belangrijk: Alle gebruikte producten dienen compatibel te zijn met de Liner van P.V.C.
- Eerste vulling: Het pH- en Chloorgehalte (Cl) van het water analyseren en deze aanpassen aan de optimale niveaus: pH: 7,2-7,6; Chloor: 0,5 tot 2 ppm.
 - Schokchloring: Deze bestaat uit het verhogen van het chloorniveau tot ongeveer 20 ppm voor het elimineren van bacteriën en algen. Alleen uit te voeren wanneer het zwembadwater afkomstig is uit rivieren, vijvers, of wanneer het water gedurende lange tijd geen behandeling heeft ondergaan.
 - Controles: Minstens één keer per week het pH- en chloorgehalte nakijken. (Gebruik een analysator voor chloor en pH). Eveneens dient

Algicide te worden toegevoegd om het ontstaan van algen te voorkomen. Nooit baden voordat het chloorniveau in evenwicht is. Gebruik altijd een drijvende doseermaat voor de oplossing van het chemische product (tabletten). De dosering van de chemische producten geschiedt in overeenstemming met: Het watervolume van het zwembad, de veelvuldigheid van het baden, de weersomstandigheden, de temperatuur van het water en de ligging van het zwembad. Het water steeds in beweging houden en wachten tot een chemisch product is opgelost alvorens een ander daaraan toe te voegen. Wacht ongeveer 12 uur tussen iedere aanpassing van pH, chloor of antialgen en laat het filtratiesysteem werken.

MECHANISCHE MIDDELEN:

Verifiëren of de zuiveringsinstallatie, de skimmer, de kleppen en slangen op de juiste wijze aan het zwembad zijn verbonden. Er moet rekening mee worden gehouden dat het water bij hogere temperatuur meer tijd voor filtratie nodig zal hebben. Theoretische filtratietijd = Watervolume/ watermassa van het filtratiesysteem (meestal 8 uur per dag met een temperatuur van het water van 21°C), (ideaal: 2 uur 's morgens- 4 uur om twaalf uur overdag- 2 uur 's middags).

BODEMREINIGERS DOOR OPZUIGING (HAND- OF AUTOMATISCHE BEDIENING):

Allleen voor zwembaden met skimmer. Eén uiteinde van de slang van de bodemreiniger bevestigen aan de veger en onder water dompelen zodat de slang volloopt. Het andere uiteinde van de slang verbinden aan de deksel van de zuiger (TA) en deze plaatsen op het mandje van de skimmer. Stel de zuiveringsinstallatie in werking op stand FILTER en begin met het reinigen van de bodem. Speciale aandacht moet worden besteed aan de zones met vouwen waarin het vuil zich kan opeenhopen.

BODEMREINIGER TYPE VENTURI:

Een tuinslang aansluiten op de kop van de bodemreiniger en deze in het zwembad brengen. De kraan openen met een normale waterdruk zodat het water tegen de zwembadbodem vloeit en een opwaartse stroom veroorzaakt die het vuil in het filter, dat deel uitmaakt van de bodemreiniger, deponeert.

EFFECTEN	OORZAKEN	OPLOSSINGEN
Water groenachtig troebel	<ul style="list-style-type: none"> • Filter vuil • pH onjuist • Algengroei 	<ul style="list-style-type: none"> • Spoel het filter • Corrigeren • Shockbehandeling
De pomp start niet	<ul style="list-style-type: none"> • Gesprongen schakelaar • Doorgebrande zekering • Turbine geblokkeerd 	<ul style="list-style-type: none"> • Opnieuw aanzetten • Vervangen • Controleer of de ventilator achter de motor draait
De pomp draait maar geen doorvoer	<ul style="list-style-type: none"> • Zuigeringang gesloten • Skimmer zuigt lucht aan • Voorfilter vol • Er komt lucht in de afdekking • Turbine defect 	<ul style="list-style-type: none"> • Opnieuw openen • Corrigeer de waterstand • Reinigen • Check de verbinding en vervang afdekking van het voorfilter • Vervang de turbine
De skimmer zuigt niet	<ul style="list-style-type: none"> • Netje vol • Afsluiter niet goed gesloten • Waterniveau te laag 	<ul style="list-style-type: none"> • Legen • Openen • Aanpassen
Vuil water wordt teruggepompt in het zwembad	<ul style="list-style-type: none"> • Filter verstopt 	<ul style="list-style-type: none"> • Wassen, reinigen
De druk op de manometer is te hoog	<ul style="list-style-type: none"> • Het filter is slecht schoongemaakt • Uitstroompoort gesloten 	<ul style="list-style-type: none"> • Herhalen • Open de poort, controleer de toestand van het zand (eens per 3 of 4 jaar vervangen)
De bodemreiniger zuigt niet of zuigt nauwelijks	<ul style="list-style-type: none"> • Voorfilter verstopt • Bijbehorende afsluiter gesloten • Slang versleten of geperforeerd • Lucht in de leidingen • Andere afsluiters geopend • Filter vuil 	<ul style="list-style-type: none"> • Schoonmaken • Openen • Vervangen • Ontluchten en wachten op de aanzuiging • Sluiten • Schoonmaken
Roestvlekken	<ul style="list-style-type: none"> • pH-waarde veel te laag 	<ul style="list-style-type: none"> • Verhoog de pH-waarde tot 7,2-7,4
Zand in het bassin	<ul style="list-style-type: none"> • Kapot rooster • De multidirectionele afsluiter is bediend met de pomp in werking • Filtering verkeerd om aangesloten. De leidingen zijn tijdens montage verwisseld. 	<ul style="list-style-type: none"> • Vervang het rooster • Vervang de multidirectionele afsluiter • Sluit de filtering correct aan

MANUTENÇÃO HABITUAL

O MEIO AMBIENTE AGRADECE

“DESMONTAR A PISCINA SE ABSOLUTAMENTE NECESSÁRIO. NESTE CASO, POR FAVOR REUTILIZE A ÁGUA. A ÁGUA É VIDA.”

- Ponha a funcionar o sistema de filtração uma vez por dia para assegurar um renovamento completo do volume de água, e sempre que não se estiver a utilizar a piscina para o banho. (Ver o manual do depurador).
- Verifique o nível de bloqueio dos filtros regularmente no Verão, quando o kit de piscina estiver a ser utilizado.
- Verifique o estado dos parafusos, porcas e anilhas (para detectar possíveis vestígios de oxidação).
- O nível de água da piscina deve manter-se sempre como mínimo a 15 cm do borde superior.
- Nunca esvazie completamente a piscina. Um baixo nível de água poderia danificar seriamente a piscina.
- Não respeitar as instruções de manutenção pode por gravemente em perigo a saúde, especialmente a das crianças.
- A utilização de um kit de piscina implica o respeito pelas normas de segurança descritas no guia de manutenção e de utilização.
- Nunca deixe um kit de piscina vazio no chão e no exterior.
- Limpe regularmente o Liner P.V.C. e a linha do nível de água, com produtos não abrasivos. Limpar periodicamente a dobra de união do fundo com o lateral do liner já que é uma zona onde se acumula a sujidade. Se acidentalmente houver um pequeno furo no liner, pode-se arranjar com os nossos remendos AR202 ou V12.
- As cobertas de verão (isotérmicas) protegem a piscina dos insectos, do pó, das folhas, etc. e evitam baixar a temperatura da água. Coloque-a sempre com as bolhas em contacto com a água.

INVERNO:

- 1- Limpar o fundo e as paredes do liner com um produto não abrasivo.
 - 2- Tratar a água com um produto químico para o Inverno. Recomenda-se o uso de INVERNADOR LÍQUIDO no lugar de bóias com produto sólido para evitar descolorações no liner.
 - 3- Deixar a piscina cheia de água, tendo em conta o seguinte:
 - a) Para piscinas com skimmer e válvula de retorno, o nível da água deve estar 5 cm por baixo do skimmer; fechar a válvula de retorno com a tampa de rosca que vai junto com o depurador.
 - b) Para piscinas com válvulas de admissão e retorno, o nível da água deve de estar a 20 cm do borde superior da piscina; fechar as válvulas com o sistema de rosca de que estão dotadas.
 - 4- Desmontar as mangueiras. Não desmontar o skimmer nem as válvulas.
 - 5- Proteger a piscina com uma coberta de Inverno, colocando um elemento flutuante entre a piscina e a água para a proteger do frio.
 - 6- Desmontar o depurador da piscina. Limpar, despejar a areia ou tirar o cartucho, secar e guardar num lugar coberto e sem humidade.
 - 7- Acessórios: tirar todos os acessórios (escada, alarme, foco, vara,...), limpar com água doce e guardar.
- PARA UTILIZAR DE NOVO: Tirar a coberta de Inverno, instalar o depurador, despejar pelo menos 1/3 da água e realizar uma cloragem de choque. Pôr o depurador em funcionamento pelo menos durante 8 horas sem interrupção.

MEIOS QUÍMICOS:

Leia com atenção as instruções do fabricante do produto químico. **ATENÇÃO:** Guarde os produtos químicos num local limpo, seco e fora do alcance das crianças. Importante: Todos os produtos utilizados devem ser compatíveis com o liner de P.V.C.

- Primeiro enchimento: Analisar o pH e o Cloro (Cl) da água e ajustar aos níveis óptimos: pH: 7,2 - 7,6 ; Cloro: 0,5 - 2 ppm.
- Cloragem de choque: Consiste em aumentar o nível de cloro até 20 ppm aprox. para eliminar as bactérias e as algas. Só se deve realizar se a água da piscina vier de rios, tanques,... ou quando levar muito tempo sem tratamento.
- Controlos: Revisar pelos menos uma vez por semana os níveis de pH e de Cloro. (Utilize um analisador de Cloro e de pH). Também deverá acrescentar algicida para evitar a formação de algas. Nunca tome banho antes de se ter estabilizado o nível de cloro. Utilize sempre um dosificador flutuante para a dissolução do produto químico (comprimidos). A dosagem dos produtos químicos faz-se em função do volume de água da piscina, da frequência dos banhos, das condições climáticas, da temperatura da água e da situação. Mexer sempre a água e esperar a dissolução de um produto químico antes de pôr outro. Espere más ou menos 12 h. entre cada ajustamento de pH, de Cloro, ou de anti algas com o sistema de filtração em funcionamento.

MEIOS MECÂNICOS:

Verificar se a junção à piscina do depurador, do skimmer, das válvulas e das mangueiras é correcta. Tenha em conta que quanto mais alta for a temperatura da água mais necessitará tempo de filtração. Tempo filtração teórico = Volume de água / caudal do sistema de filtração (em geral 8 h/dia com uma temperatura de água de 21º C), (Ideal: 2 h pela manhã - 4 h ao meio dia - 2 h pela tarde).

LIMPA FUNDOS POR ASPIRAÇÃO (MANUAL OU AUTOMÁTICO):

Só para piscinas com skimmer. Ligar um extremo da mangueira do limpa fundos à varredora e submergi-lo na água para se encher a mangueira. Ligar o outro extremo da mangueira à Tampa de Aspiração (TA) e colocá-lo em cima do cesto do skimmer. Pôr em funcionamento o depurador na posição FILTER e começar a limpar o fundo. Especial atenção nas zonas com dobras aonde se acumule a sujidade.

LIMPA FUNDOS TIPO VENTURY:

Acoplar uma mangueira de jardim à cabeça do limpa fundos e introduzi-lo na piscina. Abrir a torneira a uma pressão normal, para a água fluir contra o fundo da piscina, produzindo uma corrente ascendente que deposita a sujidade no filtro do limpa fundos.

EFEITOS	CAUSAS	SOLUÇÕES
Água turva esverdeada	<ul style="list-style-type: none"> Filtro sujo pH incorreto Formação de algas 	<ul style="list-style-type: none"> Lavagem do filtro Reajuste Tratamento de choque
A bomba não arranca	<ul style="list-style-type: none"> Disjuntor saltado Fusível queimado Turbina bloqueada 	<ul style="list-style-type: none"> Ligá-lo novamente Substituí-lo Verificar que o ventilador detrás do motor gira
A bomba roda mas não descarga	<ul style="list-style-type: none"> Válvulas de aspiração fechadas O skimmer aspira ar Pré-filtro cheio Tomada de ar na cobertura Turbina defeituosa 	<ul style="list-style-type: none"> Abri-las novamente Retificar o nível de água Limpá-lo Verificar a junta e substituir a cobertura pré-filtro Substituir a turbina
O skimmer não aspira	<ul style="list-style-type: none"> Cesto cheio Válvula mal fechada Nível de água demasiado baixo 	<ul style="list-style-type: none"> Esvaziá-lo Abri-la Reajustá-lo
Água suja retornada à piscina	<ul style="list-style-type: none"> Filtro obstruído 	<ul style="list-style-type: none"> Lavá-lo, enxaguá-lo
Pressão do manómetro demasiado alta	<ul style="list-style-type: none"> Lavagem do filtro mal realizada Válvula de saída cerrada 	<ul style="list-style-type: none"> Repeti-lo Abri a válvula, controlar o estado da areia (substituí-la a cada 3 ou 4 anos)
O limpa-fundos não aspira ou aspira pouco	<ul style="list-style-type: none"> Pré-filtro obstruído Válvula correspondente fechada Tubo gasto ou perfurado Ar nos tubos Outras válvulas abertas Filtro sujo 	<ul style="list-style-type: none"> Limpá-lo Abri-la Substituí-lo Purgar e esperar a que carregue Fechá-las Limpá-lo
Marcas de corrosão	<ul style="list-style-type: none"> pH muito baixo 	<ul style="list-style-type: none"> Aumentar o pH a 7,2-7,4
Areia no tanque	<ul style="list-style-type: none"> Grelha quebrada Manuseio da válvula multidirecional com a bomba em funcionamento Filtração ligada ao contrário. Na montagem, as tubagens foram invertidas. 	<ul style="list-style-type: none"> Substitua a grelha Substitua a válvula multidirecional Ligue a filtração corretamente

SERVICIOS TÉCNICOS

Los servicios técnicos se encargan de la instalación de piscinas, la venta de repuestos y accesorios y el mantenimiento de las depuradoras.

COBERTURA	NOMBRE	TELÉFONO
ALAVA	URTEAGA QUIMICA, S.L.	945/26-25-17
ALBACETE	HIDRO BELL	967/22-02-18
ALICANTE	ELECTROB.S.VICENTE, S.L.	96/566-48-81
ASTURIAS	RODRIGO Y MARTINO, S.L.	985/13-49-56
BADAJOS	MOTONAUTICAS GUILLEN, S.L.	924/66-44-02
BARCELONA	ASIST.TECN.CATALANA, S.A.	93/309-27-47
BARCELONA	JAP ASITEC, S.L.	93/716-15-76
BURGOS	FERRETERIA CID	947/48-54-30
CACERES	TOP CAMPO, S.L.	927/23-02-73
CACERES	TOP CAMPO, S.L.	927/29-11-39
CADIZ	ORMOTA, S.L.	956/53-67-21
CADIZ	TECNO.VALVULOR	956/53-46-96
CANTABRIA	RAHELS PISCINAS	942/32-09-32
CANTABRIA	SUMINISTROS LAVIN	942-26-13-15
CASTELLON	AQUA TERRA	964/60-37-87
CIUDAD REAL	MOTOTRACCION CR, SL	926/22-22-54
CIUDAD REAL	JESUS CABANES RODRIGUEZ	926/ 61-00-38
CORDOBA	BRIKPISCINAS SL	957/26-26-95
CUENCA	TECNICAS DEL AGUA CES	969-08-99-23
GERONA	J.I.S. ANDRES, S.C.	972/69-30-64
GRANADA	PISCINAS RAMIREZ, S.L.	958/12-12-20
GUADALAJARA	BAÑO Y JARDIN	949/22-54-12
HUELVA	ELEC. Y FONT. ONUBENSE, S.L.U.	959/23-22-38
IBIZA	PISCINAS JESUS SL	971/31-68-91
JAEN	AGRO AGUA	953/69-26-11
LA CORUÑA	HOMESPORT	981-623-716
LA CORUÑA	ASTYCO	981/52-10-09
LAS PALMAS	JESUS ROMERO	629/56-74-32
LEON	ELECTRICIDAD FERCOVI, S.L.	987/41-72-51
LEON	ATECAL MANTENIMIENTO, S.L.L.	987/30-75-39

COBERTURA	NOMBRE	TELÉFONO
LUGO	LUCALOR	982/21-90-01
LUGO	HYDRO-GLOBAL	982/41-14-13
MADRID	POOL SPA SPORT	91/323-18-83
MADRID	SUM. SANTAGATA, S.L.	91/616-24-58
MALAGA	MARIA ESTHER BANDERAS	952/28-81-01
MALAGA	RIVAS Y ANAYA SL	952/80-06-05
MENORCA	PISCI WORLD, S.L.	971/36-94-25
MURCIA	FERRETERIA INFANTE	968-26-82-57
NAVARRA SUR	JUGUETES EREGUI, S.L.	948/12-03-88
ORENSE	HYDRO-GLOBAL	988/21-28-84
PALMA LA	AGRO-ISLEÑA SUMINISTROS	922/40-35-20
P. MALLORCA	RIEGOS MANACOR, S.L.	971/84-57-14
PONTEVEDRA	INSTAL.AUX.TUDENSES, C.B.	986/60-23-90
PONTEVEDRA	AUXGASCA, S.L.	986/846-141
SALAMANCA	AQUANUR PISCINAS	923/13-98-80
SEGOVIA	PISCINAS SEGOVIA, S.L.	921/44-44-71
SEVILLA	SABIN TECNISERVICIOS, S.L.	95/451-81-39
SEVILLA	MAKROAGUA SL	954/71-50-00
SEVILLA	COMERCIAL UTRERA	95-486-35-11
TARRAGONA	AQUA SERVEIS	977/30-10-30
TARRAGONA	SAT LUIS, S.L.	902/18-10-88
TENERIFE	CARLOS STAEBE, S.L.	922/30-46-41
T. DE LA REINA	SINTAL	925/80-41-38
TOLEDO	DECO-GARDEN GONZALEZ SL	925/24-5826
VALENCIA	SERV.TECN.VALENCI. ESTEVAL, S.A.L	96/164-00-19
VALLADOLID	PISCINAS VALLADOLID, S.L.	983/38-08-19
VIZCAYA	ACONAGUA 2000, S.L	94/476-28-38
ZARAGOZA	M.A.RAFALES	976/63-66-09
ZARAGOZA	ZARVIGAS, S.L.	976/10-62-99

SERVIZIO TECNICO IN ITALIA

I servizi tecnici si occupano di installare le piscine, vendere i ricambi e accessori e la manutenzione della filtrazione delle piscine.

TOSCANA - ATLANTIS SRL Via Viaccia Prima na 170, S. Anna - Lucca 5510 - TEL. 0583 - 94 0006 - FAX. 0583 - 464342 - MAIL: info@piscine-atlantis.com - www.piscine-atlantis.com

TOSCANA 2 - RISALITI SRL Via Mantova 5, 59100 Prato - TEL. 0574 1821163 - FAX. 0574 1821164 - MAIL: info@risaliti.com

TOSCANA 3 - DIVISIONE PISCINE - Via San Donato, 95 - 56020 Santa Maria A Monte (Pi) tel. fax: 0587/705145 info@divisionepiscine.net
http://www.divisionepiscine.net/

LOMBARDIA - CATTANEO VIA TORRICELLI,31 20833 GIUSSANO (MI) TEL. + 39 0362/354866 - FAX. + 39 0362/354866 - MAIL: piscine@cattaneocostruzioni.it

LOMBARDIA 2 - ZAVATTI SRL VIA ABETONE BRENNERO,144 POGGIO RUSCO (MN) TEL. +39-0386-740171 - FAX. + 39 0386-734503 - MAIL: info@piscinaonline.it

PIEMONTE SICILIA LIGURIA ACQUAFORM - ACQUAFORM srl - Via Don D. Castelli, 71 - 12060 Roddi (CN) www.acquaform.it - acquaform@acquaform.it - info@acquaform.it

PIEMONTE (Torino e provincia) + VALLE D'AOSTA - LA PALLA La Palla giocattoli s.r.l. - Via Silvio Pellico 20 Pinerolo 10064 TO - Tel 0121 78435

PUGLIA / SICILIA - SAN MARCO Via don Milani 2, 73050 Seclì (LE) ITALY - P.IVA / VAT 03621320757 - TEL. + 39 (0)836 610493 2 linee r. a. - FAX. + 39 (0)836 619455 - MAIL: marcogiuri@grupposanmarco.eu

PUGLIA /MOLISE/ CALABRIA - SAN MARCO - S.P.362 KM. 12,800 - 73010 SOLETO (LE) - Tel. +39 [0]836 610493 marcogiuri@grupposanmarco.eu

LOMBARDIA (PROV. PAVIA) WELLSTORE SRL - WELLSTORE SRL - Uffici (non aperti al pubblico): - Via dell'artigianato 18 - 20070 San Zenone al Lambro MI - servizio.clienti@wellstore.it - www.wellstore.it

UMBRIA - MAGIC GARDEN Strada delle Fratte 3/a 06132- San Sisto (PG) - TEL. 075 527 98 41 - FAX. 075 528 64 70 - MAIL: info@magic-garden.it

VENETO - FEDERICI Via Eistein, 1 40054 Budrio (BO) - TEL. 348 4204859 - MAIL: federici-s@libero.it

EMILIA ROMAGNA - LA TUA PISCINA 2012 Via Tanari 13977, 40024 Castel Sa Pietro terme (BO) - FAX. 051 6951604 - MOBILE: 333 2665686 - MAIL: Latuapiscina2012@libero.it (Sig. Roberto Buttieri)

LAZIO - JOLLY GAME VIALE ROMA 208 / 212 , 00012 GUIDONIA M. CELIO (RM) - TEL. +39 0774/345316 - FAX. +39 0774/343638 - MAIL: info@jollygame.it - www.jollygame.it

ABRUZZO - MONDO PISCINE Via Tiburtina, 225 - 65129 Pescara - TEL. 085 4325041 - FAX. 085 4316867 - MAIL: info@mondopiscine.it - www.mondopiscine.it

SICILIA - GIO' CASA Via Mascali Riposto 1, 95016 Mascali (CT) - TEL. 328 7892659 - MAIL: giocasasrl@yahoo.it - www.jocasastore.com

SICILIA - ORIENTALE - TEKIND SRL - VIALE ULISSE, 41 - CATANIA 95126 - Tel.: 095 493350 info@tekind.eu

SICILIA - MERIDIONALE - IDRO-SOLAR IMPIANTI SNC - VIA NECROPOLI DEL FUSCO 1 A/B SIRACUSA 96100 - Tel 0931/1840624

PIEMONTE / VALLE D'AOSTA - LA PALLA PINEROLO Via Molino delle Lime 4 / F 10064 - Pinerolo (TO) - TEL. + 39 012178435

BASILICATA / SALERNO - EDILMAGGIO SRL SCALO FF.SS, 12 85018 - TRIVIGNO (PZ) . TEL. 0971- 981059 - FAX. 0971- 981189 - MAIL: info@edilmaggio.it - www.edilmaggio.it (Sig. Rocco Maggio)

SARDEGNA SUD - ECO PISCINE DI TOMMASO RAZZOLINI - VIA ARETINA, 17 - 50060 PELAGO (FI) - PI. 05071080484 - info@ecopiscineitalia.it - WWW.ECOPISCINEITALIA.IT

GESTIONE ARTICOLI IN GARANZIA: No VERDE : 800 781 592 - MAIL: satitalia@gre.es - FAX: 0034. 946740321

SEVICES TÉCNICO

Os serviços técnicos são responsáveis pela instalação de piscinas, a venda de peças de reposição e acessórios e manutenção do filtros do tratamento do aguas.

NORTE - ANAJO PISCINAS - FONTE DO ORELHUDO - CERNACHE - COIMBRA - TEL. 239945885

CENTRO - ODIVELAS - PISCINAS DO ATLANTICO LDA - COMANDANTE SACADURA CABRAL 30, 2620 - 287 RAMADA - LISBOA - TEL. 214340120

SUL - PISCINAS 2000 - SITIO DO CALEFORMOSO - BLOCO ZACARIAS - LOULE - TEL. 289391040

EN

IMPORTANT

ES

IMPORTANTE

FR

IMPORTANT

DE

WICHTIG

IT

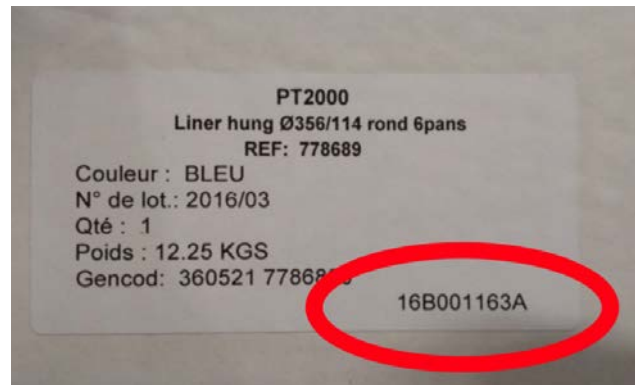
IMPORTANTE

NL

BELANGRIJK

PT

IMPORTANTE



- EN Before assembling the pool, take note of the serial numbers that are on the wood (picture on the left) and on the liner (picture on the right), for possible claims.
WITHOUT THESE NUMBERS YOU CAN NOT CLAIM THE WARRANTY
- ES Antes de realizar el montaje de la piscina, tome nota de los números de serie que se encuentran en la madera (foto izquierda) y en el liner (foto derecha), para posibles reclamaciones.
SIN ESTOS NÚMEROS NO SE PODRÁ ACTIVAR LA GARANTÍA
- FR Avant de monter la piscine, prendre note des numéros de série qui figurent sur le bois (photo de gauche) et sur le liner (photo de droite), pour les possibles réclamations.
SANS CES NUMÉROS, LA GARANTIE NE SERA PAS COUVERTE
- DE Bevor Sie den Pool zusammenbauen, notieren Sie für etwaige Reklamationen bitte die Seriennummern, die Sie auf dem Holz (Foto links) und auf dem Liner (Foto rechts) finden.
OHNE DIESE NUMMERN KANN DIE GARANTIE NICHT GELTEND GEMACHT WERDEN
- IT Prima di montare la piscina, prendere nota dei numeri di serie che sono nel legno (foto a sinistra) anche del liner (foto a destra), per eventuali reclamazioni.
SENZA QUESTI NUMERI NON SI PUÒ ATTIVARE LA GARANZIA
- NL Voordat u begint met de montage van uw zwembad, goed naar de serienummers kijken die u kunt vinden op het hout (foto links) en op de liner (zie foto rechts) en deze noteren, omdat u ze nodig heeft indien u een reclamatie wilt indienen.
ZONDER DEZE NUMMERS KAN DE GARANTIE NIET WORDEN GEACTIVEERD
- PT Antes de montar a piscina, anotar os números de série que estão na madeira (foto da esquerda) e do forro (foto da direita), para possíveis reclamações.
SEM ESSES NÚMEROS NÃO SE PODE ACTIVAR A GARANTIA



DISTRIBUIDO POR
MANUFACTURAS GRE S.A. | ARITZ BIDEA 57, BELAKO INDUSTRIALDEA | 48100 MUNGIA (VIZCAYA) ESPAÑA
| N° REG. IND.: 48-06762
FABRICADO EN EUROPA