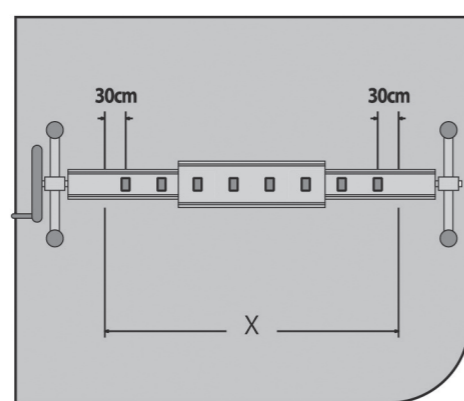
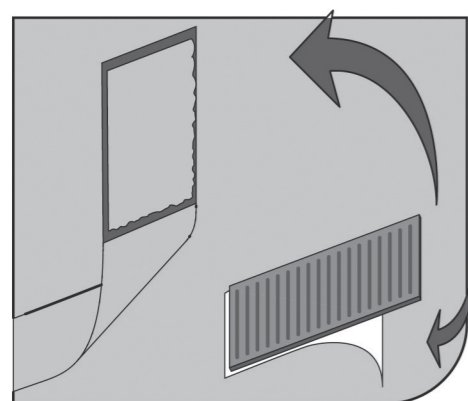
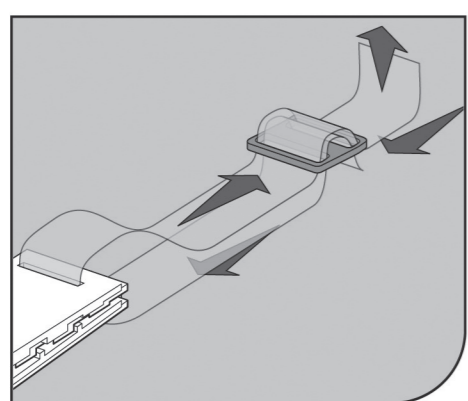




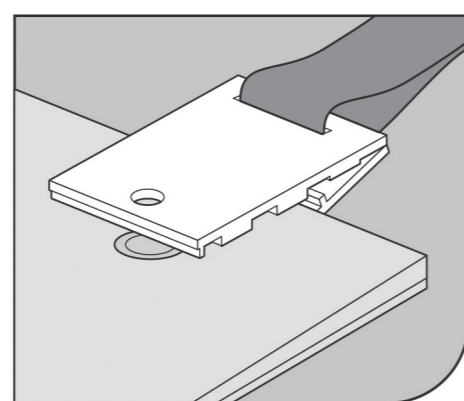
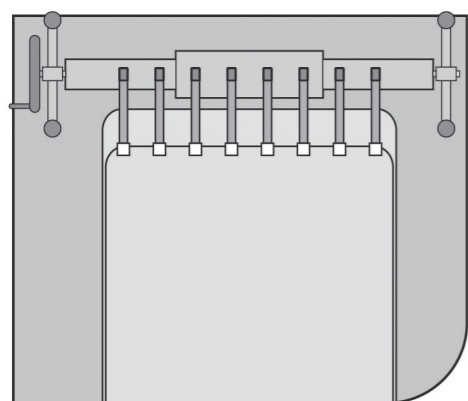
COVER ROLLER FOR INGROUND POOLS
ENROLLADOR DE CUBIERTAS PARA PISCINAS ENTERRADAS
ENROULEUR POUR PISCINES ENTERRÉES
ROLLABDECKPLANE FÜR IM BODEN EINGELASSENE SCHWIMMBÄDER
AVVOLGITORE PER PISCINE INTERRATE
AFGEDEKTE OPROLLER VOOR INGEGRAVEN ZWEMBADEN
ENROLADOR DE COBERTURAS PARA PISCINAS ENTERRADAS



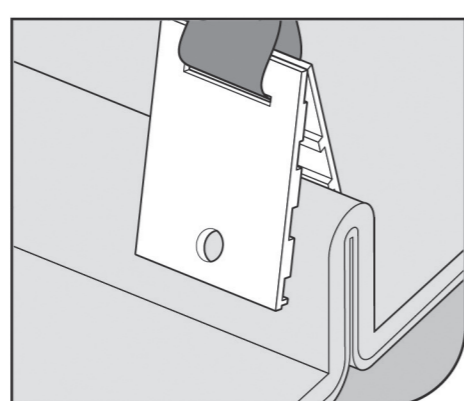
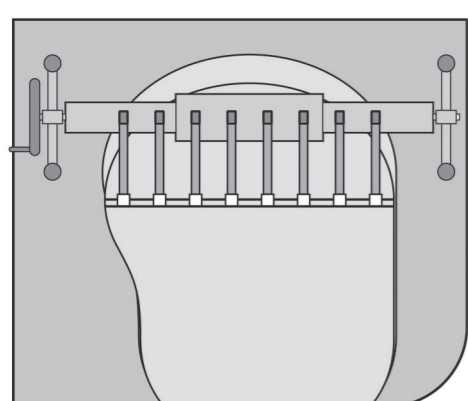
9



10

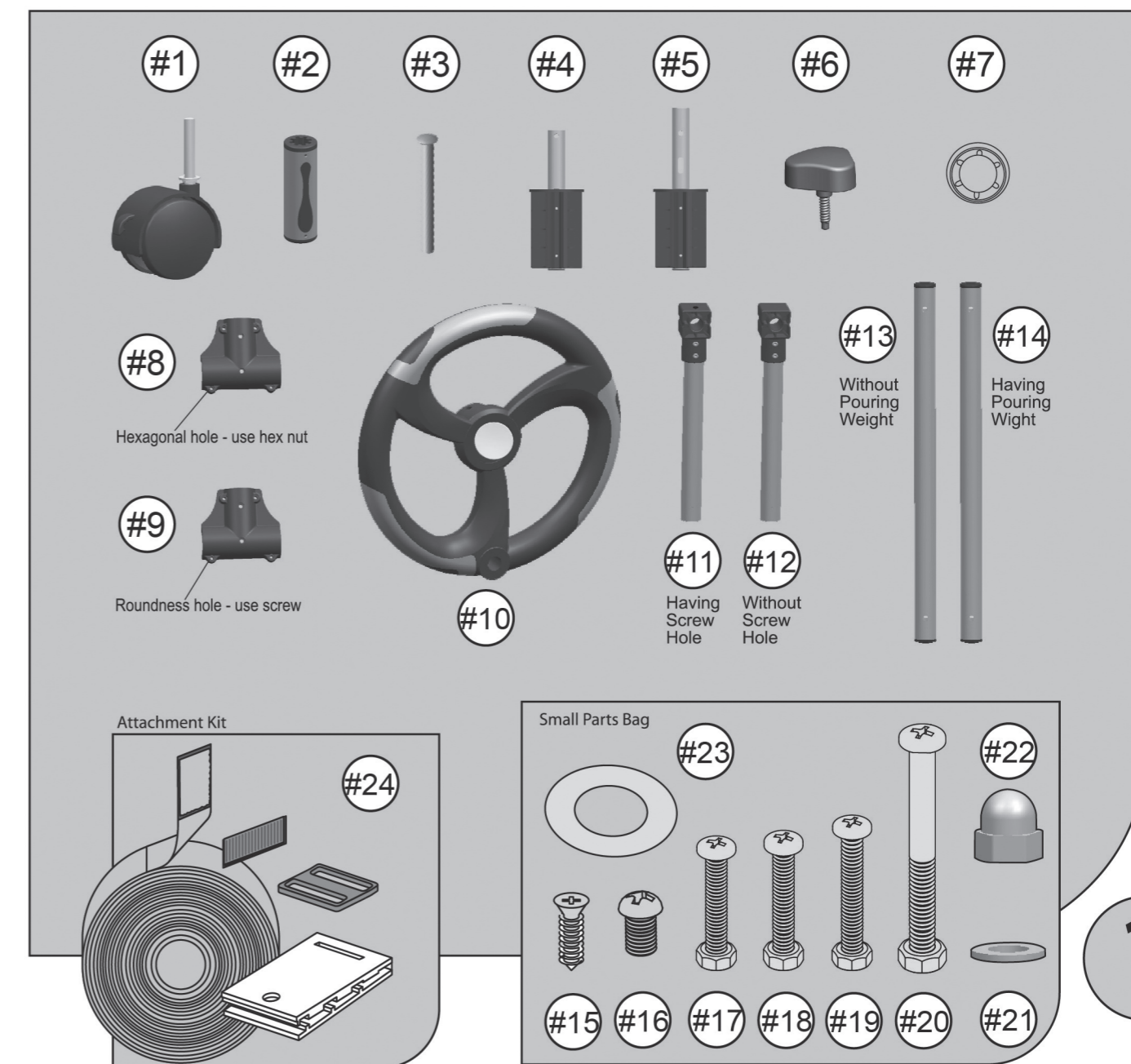


11a

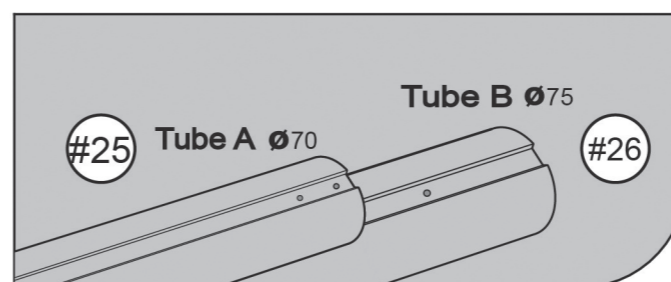


11b

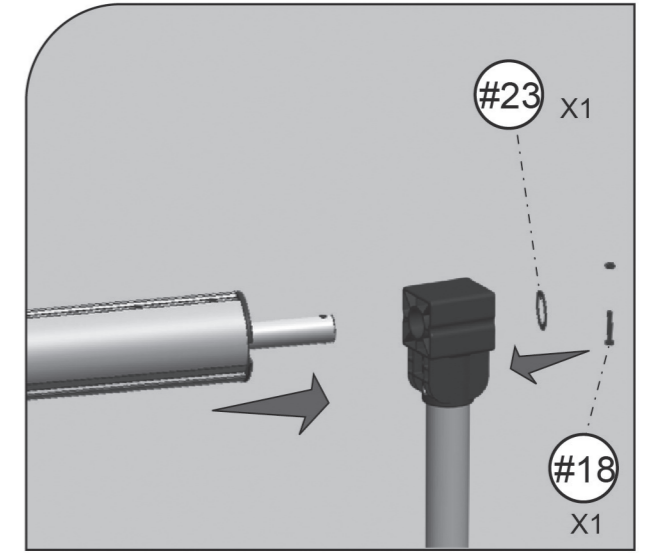
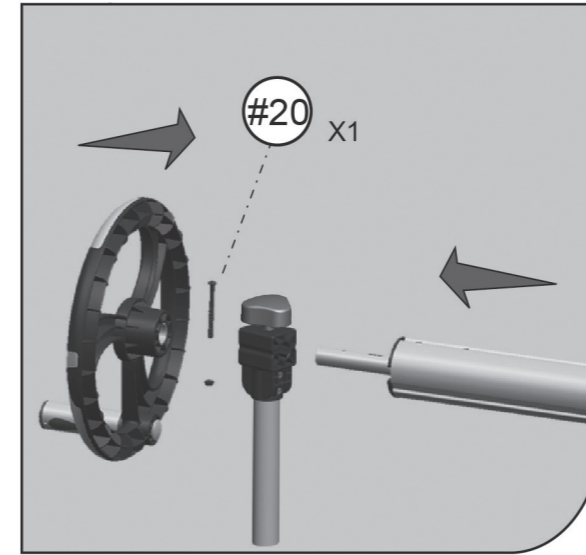
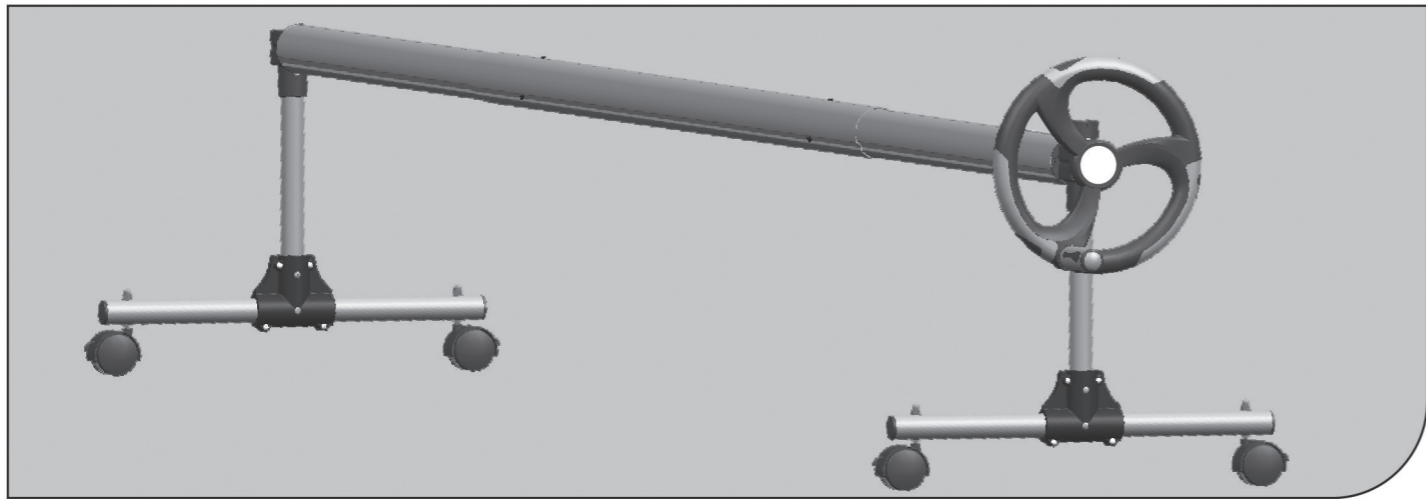
Made in CHINA



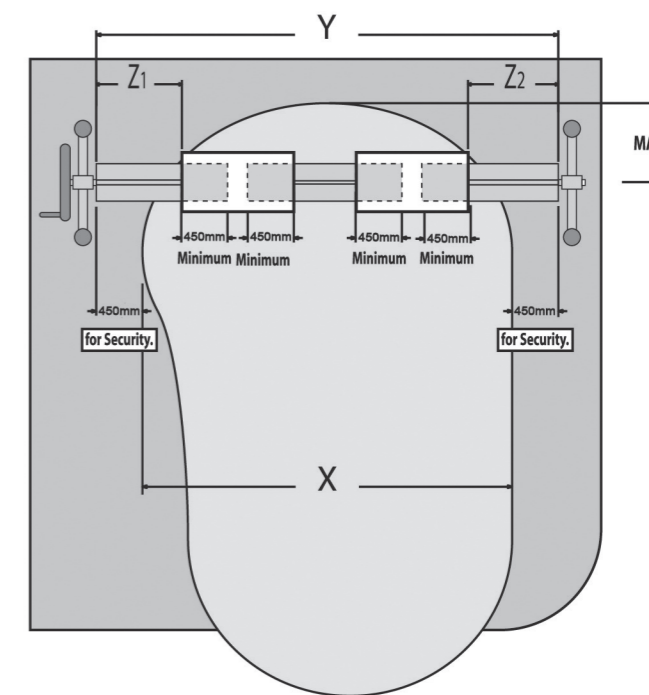
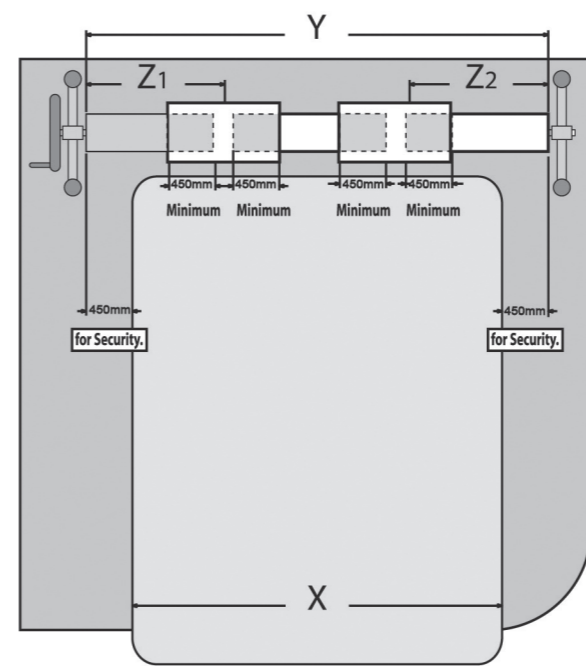
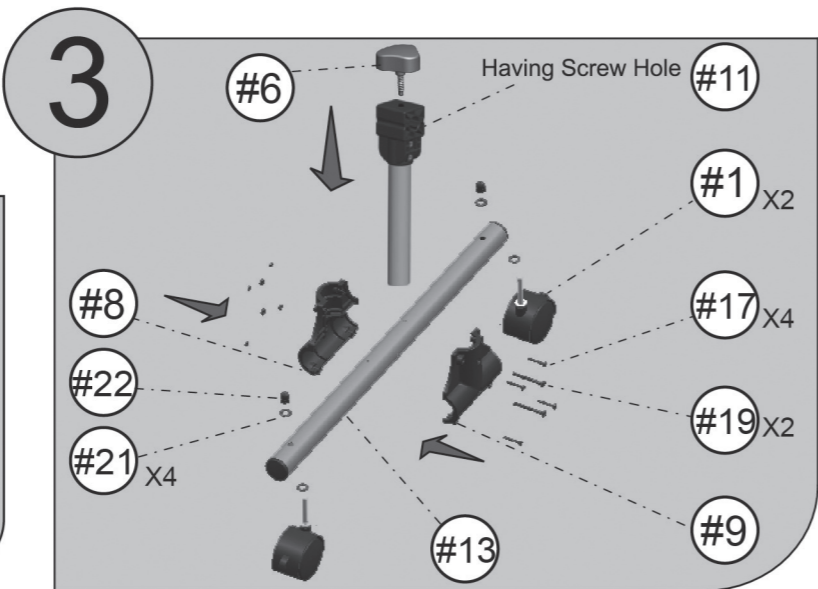
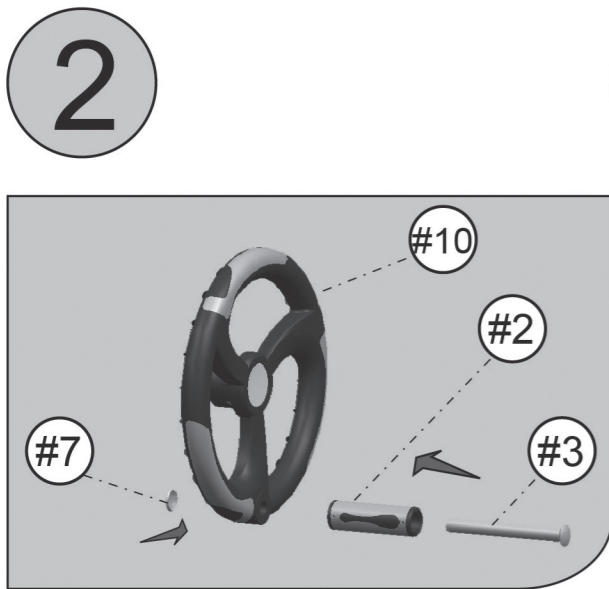
1



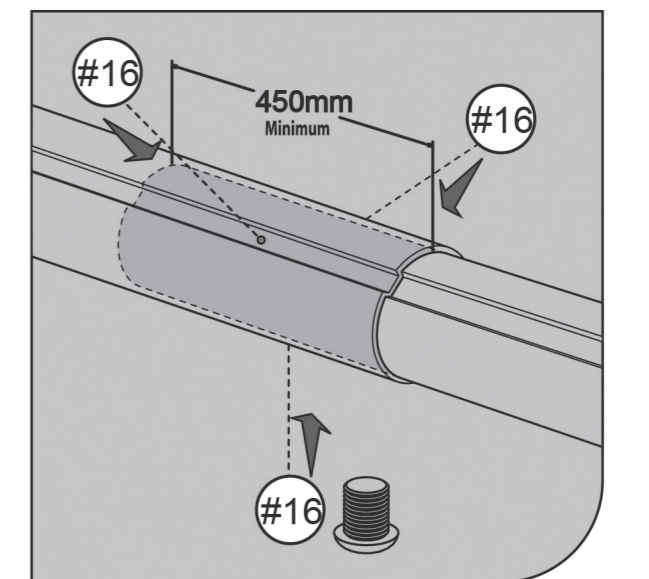
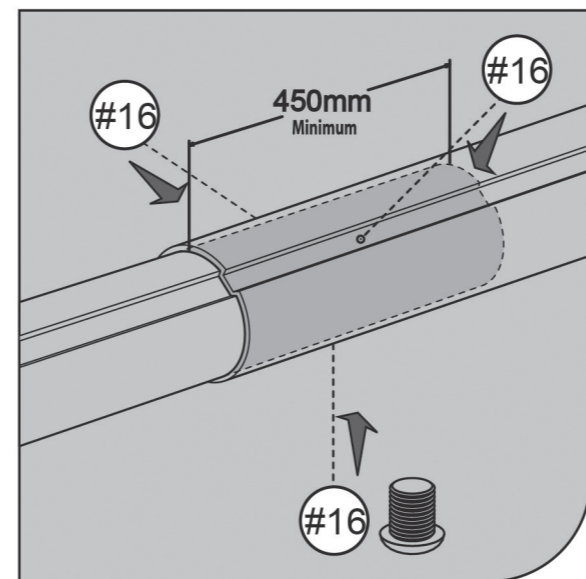
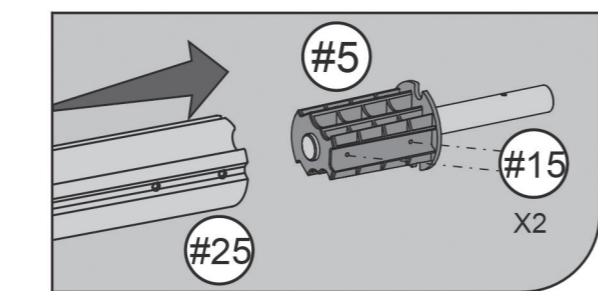
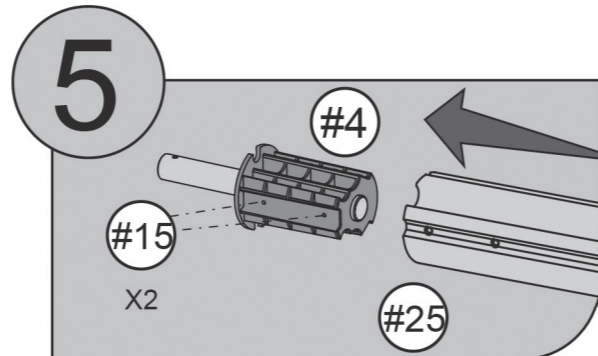
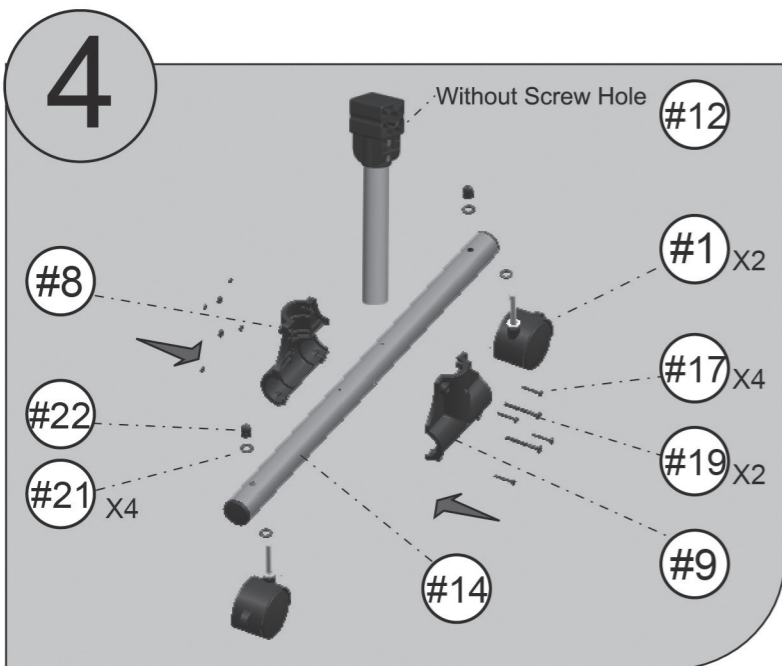
Ref	Name	Qty	Ref	Name	Qty
#1	Universal wheel	4	#14	Near hand wheel holder horizontal pipe	1
#2	Handle	1	#15	GB/T846 ST3.9*9.5	4
#3	Handle spindle	1	#16	GB/T818 M6*6	12
#4	Fixing piece farther hand wheel	1	#17	GB/T818 M4*25	8
#5	Fixing piece near hand wheel	1	#18	GB/T818 M4*28	1
#6	Break knob	1	#19	GB/T818 M5*45	4
#7	Handle cap	1	#20	GB/T818 M6*65	1
#8	Plastic holder A	2	#21	Small washer	8
#9	Plastic holder B	2	#22	Cover nut	4
#10	Hand wheel	1	#23	Big washer	1
#11	Farther hand wheel holder standpipe	1	#24	Elastic strap	8
#12	Near hand wheel holder standpipe	1	#25	Inner alu. Pole horizontal pipe	3
#13	Farther hand wheel holder	1	#26	Outer alu. Pole	2



6



7



8