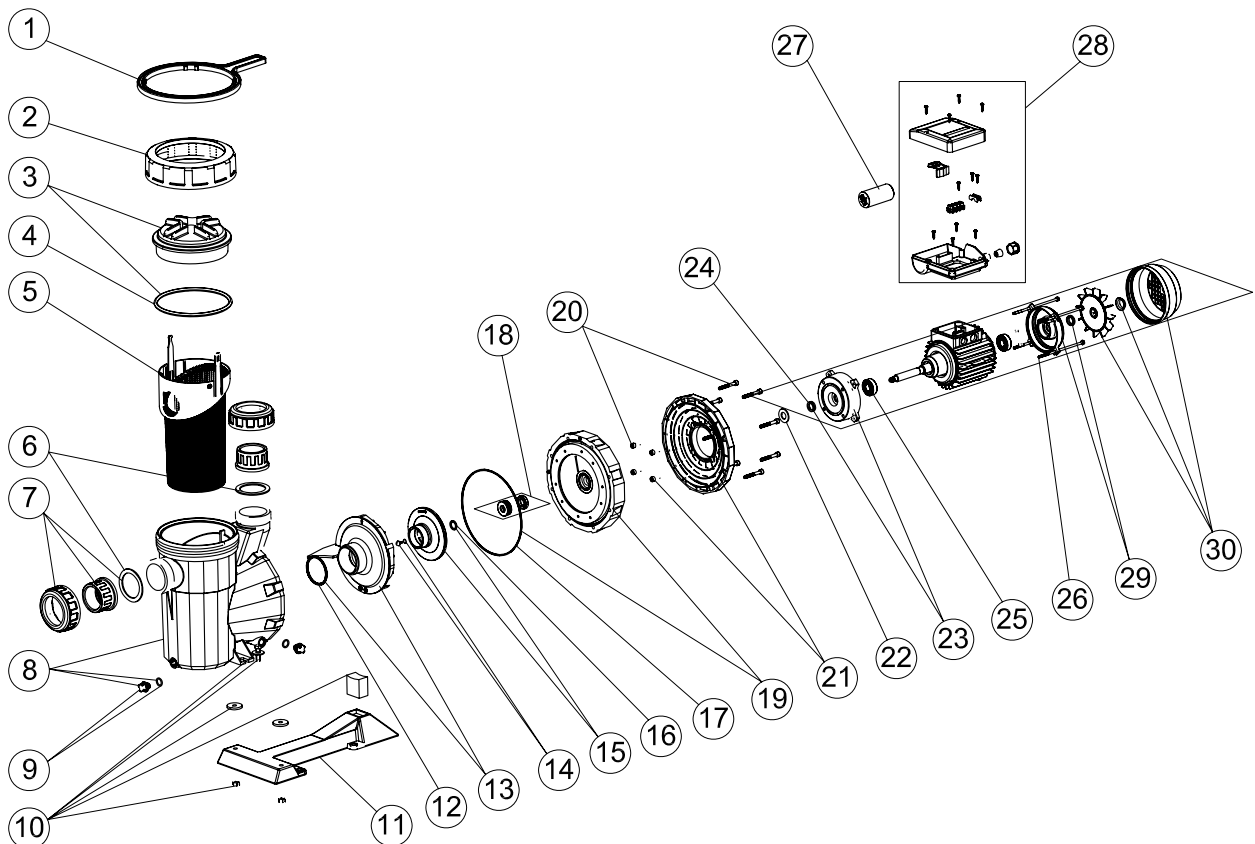


CODIGO : 38769 al 38780 41224
DESCRIPCION : BOMBA ASTRAL VICTORIA PLUS



| Pos. | CODIGO | DENOMINACION | Pos. | CODIGO | DENOMINACION |
|------|------------|-----------------------------------|------|------------|---|
| 1 | 4404130103 | LLAVE TUERCA FILTRO | 21 | 4405010130 | BRIDA MOTOR 1/2 A 1 HP |
| 2 | 4404130101 | TUERCA TAPA PREFILTRO | 21 | 4405010131 | BRIDA MOTOR 1,5 A 3 HP |
| 3 | 4405010702 | TAPA PREFILTRO | 22 | 4405010163 | ARANDELA DEFLECTORA C.71 1/2 - 3/4 - 1 HP |
| 4 | 4405010178 | JUNTA PREFILTRO | 22 | 4405010164 | ARANDELA DEFLECTORA C.80 1,5 - 2 - 3 HP |
| 5 | 4405010105 | CESTO PREFILTRO | 23 | 4405010137 | TAPA DELANTERA MOTOR 0,5 HP |
| 6 | 4405010179 | JUNTA PLANA 72x55x2,5 | 23 | 4405010138 | TAPA DELANTERA MOTOR 0,75 - 1,5 HP |
| 7 | 4405010106 | ACCESORIOS ENLACE 1/2 - 1 HP | 23 | 4405010139 | TAPA DELANTERA MOTOR 2 - 3 HP |
| 7 | 4405010107 | ACCESORIOS ENLACE 1,5 - 2 HP | 23 | 4405010167 | BRIDA MEC. B14 RED. C/CAJERA D52 NEGRA |
| 7 | 4405010108 | ACCESORIOS ENLACE 3 HP | 24 | 4405010158 | V-RINGS 0,5 - 1,5 HP |
| 8 | 4405010109 | CUERPO BOMBA | 24 | 4405010159 | V-RINGS 2 - 3 HP |
| 9 | 4405010110 | TAPONES PURGA 1/4" | 24 | 4405010176 | V-RINGS VA-25 3 HP |
| 10 | 4405010206 | UNION HIDRAULICA PIE 1/3 A 1 HP | 25 | 4405010135 | RODAMIENTO MOTOR 1/3 - 1/2 - 3/4 - 1 HP |
| 10 | 4405010113 | UNION HIDRAULICA PIE 2 - 3 HP III | 25 | 4405010136 | RODAMIENTO MOTOR 1,5 - 2 - 3 HP |
| 10 | 4405010180 | UNION HIDRAULICA PIE 3 HP II | 25 | 4405010171 | CONJUNTO RODAMIENTO 6205 2 RS C.90 |
| 11 | 4405010207 | PIE BOMBA 1/2 A 1 HP | 26 | 4405010143 | VARILLAS MOTOR 1/3 A 1/2 HP |
| 11 | 4405010114 | PIE BOMBA 1,5 A 3 HP | 26 | 4405010144 | VARILLAS MOTOR 0,75 - 1,5 HP |
| 12 | 4405010161 | JUNTA TORICA D. 56,7x3,5 | 26 | 4405010145 | VARILLAS MOTOR 2 - 3 HP III |
| 13 | 4405010115 | DIFUSOR 1/2 - 3/4 HP | 26 | 4405010169 | VARILLAS MOTOR 3 HP II |
| 13 | 4405010116 | DIFUSOR 1 - 2 HP | 27 | 4405010149 | CONDENSADOR 12 uf |
| 13 | 4405010117 | DIFUSOR 3 HP | 27 | 4405020121 | CONDENSADOR 14 uf |
| 14 | 4405010134 | TAPON RODETE M 8 IZQUIERDA | 27 | 4405020122 | CONDENSADOR 16 uf |
| 15 | 4405010165 | RODETE 0,33 HP II 50 Hz | 27 | 4405010150 | CONDENSADOR 18 uf |
| 15 | 4405010119 | RODETE 0,5 HP II 50 Hz | 27 | 4405010151 | CONDENSADOR 20 uf |
| 15 | 4405010120 | RODETE 0,5 HP III 50 Hz | 27 | 4405010152 | CONDENSADOR 25 uf |
| 15 | 4405010121 | RODETE 0,75 HP II 50 Hz | 27 | 4405010174 | CONDENSADOR 32 uf |
| 15 | 4405010122 | RODETE 0,75 HP III 50 Hz | 27 | 4405010153 | CONDENSADOR 35 uf |
| 15 | 4405010123 | RODETE 1 HP II 50 Hz | 27 | 4405010175 | CONDENSADOR 50 uf |
| 15 | 4405010124 | RODETE 1 HP III 50 Hz | 28 | 4405010154 | CONJUNTO CAJA BORNES 3/4 - 1 HP II |
| 15 | 4405010125 | RODETE 1,5 HP II 50 Hz | 28 | 4405010155 | CONJUNTO CAJA BORNES 3 HP II |
| 15 | 4405010126 | RODETE 1,5 HP III 50 Hz | 28 | 4405010156 | TAPA CAJA BORNES 1/3 A 1 HP III |
| 15 | 4405010127 | RODETE 2 HP II 50 Hz | 28 | 4405010157 | CONJUNTO CAJA BORNES 1/2 A 3 HP III |
| 15 | 4405010128 | RODETE 2 HP III 50 Hz | 29 | 4405010140 | TAPA TRASERA MOTOR 0,5 HP |
| 15 | 4405010166 | RODETE 3 HP III 50 Hz | 29 | 4405010141 | TAPA TRASERA MOTOR 0,75 - 1,5 HP |
| 15 | 4405010129 | RODETE 3 HP III 50 Hz | 29 | 4405010142 | TAPA TRASERA MOTOR 2 - 3 HP III |
| 16 | 4405010162 | ARANDELA TOPE | 29 | 4405010168 | TAPA MOTOR MEC. C/CAJERA D52 3 HP II |
| 17 | 4405010160 | JUNTA BRIDA MOTOR | 30 | 4405010146 | CONJUNTO VENTILADOR-TAPA 0,5 HP |
| 18 | 4405010118 | JUNTA MECANICA | 30 | 4405010147 | CONJUNTO VENTILADOR-TAPA 0,75 - 1,5 HP |
| 19 | 4405010132 | BRIDA SELLO MECANICO | 30 | 4405010148 | CONJUNTO VENTILADOR-TAPA 2 - 3 HP |
| 20 | 4405010133 | TORNILLERIA BRIDA MOTOR | 30 | 4405010170 | CONJUNTO VENTILADOR-TAPA 3 HP |

ENGLISH

| POS. | CODE | DESCRIPTION | POS. | CODE | DESCRIPTION |
|------|------------|---------------------------------------|------|------------|---|
| 1 | 4404130103 | LID SPANNER | 21 | 4405010130 | MOTOR CLAMP <= 1 HP |
| 2 | 4404130101 | PRE-FILTER COVER NUT | 21 | 4405010131 | MOTOR CLAMP 1,5 HP - 3HP |
| 3 | 4405010702 | PRE-FILTER COVER | 22 | 4405010163 | DEFLECTOR WASHER C.71 1/2-1,5 HP |
| 4 | 4405010178 | O' RING D 151,7x6,99 | 22 | 4405010164 | DEFLECTOR WASHER C.80 2-3 HP |
| 5 | 4405010105 | PRE-FILTER BASKET | 23 | 4405010137 | FRONT MOTOR COVER 0,5 HP |
| 6 | 4405010179 | INLET GASKET 72x55x2,5 | 23 | 4405010138 | FRONT MOTOR COVER 0,75 - 1,5 HP |
| 7 | 4405010106 | UNION FITTINGS <= 1 HP | 23 | 4405010139 | FRONT MOTOR COVER 2 - 3 HP III |
| 7 | 4405010107 | UNION FITTINGS 1,5 HP - 2 HP | 23 | 4405010167 | MEC. BRIDLE C90 B14 REDUCED BEARING D52 BLACK |
| 7 | 4405010108 | UNION FITTINGS 3 HP | 24 | 4405010158 | V-RINGS 0,5 HP - 1,5 HP |
| 8 | 4405010109 | PUMP HOUSING | 24 | 4405010159 | V-RINGS 2 HP - 3 HP |
| 9 | 4405010110 | DRAIN PLUG 1/4" | 24 | 4405010176 | V-RINGS VA-25 3 HP II |
| 10 | 4405010206 | PUMP BASE FITTINGS | 25 | 4405010135 | MOTOR BEARINGS <= 1,5 HP |
| 10 | 4405010113 | PUMP BASE FITTINGS 2 HP - 3 HP III | 25 | 4405010136 | MOTOR BEARINGS 2 HP - 3 HP |
| 10 | 4405010180 | PUMP BASE FITTINGS 3 HP II | 25 | 4405010171 | BEARINGS ASSEMBLY 6205 2RS 3,5HP |
| 11 | 4405010207 | PUMP BASE | 26 | 4405010143 | MOTOR TIES C. 63 |
| 11 | 4405010114 | PUMP BASE | 26 | 4405010144 | MOTOR TIES 0,75 - 1,5 HP |
| 12 | 4405010161 | O' RING D. 56,7x3,5 | 26 | 4405010145 | MOTOR TIES 2 - 3 HP III |
| 13 | 4405010115 | DIFFUSOR <=0,75 HP | 26 | 4405010169 | MOTOR TIES (90) 3 HP II |
| 13 | 4405010116 | DIFFUSOR 1 HP - 2 HP | 27 | 4405010149 | CONDENSER 12 uF |
| 13 | 4405010117 | DIFFUSOR 3HP | 27 | 4405020121 | CONDENSER 14 uF |
| 14 | 4405010134 | IMPELLER COVER M8 LEFT | 27 | 4405020122 | CONDENSER 16 uF |
| 15 | 4405010165 | IMPELLER 1/3 HP 50 Hz | 27 | 4405010150 | CONDENSER 18 uF |
| 15 | 4405010119 | IMPELLER 0,5 HP II 50 Hz | 27 | 4405010151 | CONDENSER 20 uF |
| 15 | 4405010120 | IMPELLER 0,5 HP III 50 Hz | 27 | 4405010152 | CONDENSER 25 uF |
| 15 | 4405010121 | IMPELLER 0,75 HP II 50 Hz | 27 | 4405010174 | CONDENSER 32 µF |
| 15 | 4405010122 | IMPELLER 0,75 HP III 50 Hz | 27 | 4405010175 | CONDENSER 50 µF |
| 15 | 4405010123 | IMPELLER 1 HP II 50 Hz | 27 | 4405010153 | CONDENSER 35 uF |
| 15 | 4405010124 | IMPELLER 1 HP III 50 Hz | 28 | 4405010154 | TERMINAL BOX ASSEMBLY C. 63-71 II |
| 15 | 4405010125 | IMPELLER 1,5 HP II 50 Hz | 28 | 4405010155 | TERMINAL BOX ASSEMBLY C. 90 II |
| 15 | 4405010126 | IMPELLER 1,5 HP III 50 Hz | 28 | 4405010156 | TERMINAL BOX COVER C 63-71 III |
| 15 | 4405010127 | IMPELLER 2 HP II 50 Hz | 28 | 4405010157 | TERMINAL BOX ASSEMBLY C. 80-90 III |
| 15 | 4405010128 | IMPELLER 2 HP III 50 Hz | 29 | 4405010140 | REAR MOTOR COVER 1/3 A 1/2 HP |
| 15 | 4405010166 | IMPELLER 3 HP II 50 Hz | 29 | 4405010141 | REAR MOTOR COVER 3/4 A 1 HP |
| 15 | 4405010129 | IMPELLER 3 HP III 50 Hz | 29 | 4405010142 | REAR MOTOR COVER 2 - 3 HP III |
| 16 | 4405010162 | DEFLECTOR WASHER (1/2-3/4-1-1,5-2 HP) | 29 | 4405010168 | MEC. MOTOR COVER C90 BEARING D52 |
| 17 | 4405010160 | MOTOR CLAMP GASKET | 30 | 4405010146 | FAN COVER ASSEMBLY 0,5 HP |
| 18 | 4405010118 | MECHANICAL SEAL | 30 | 4405010147 | FAN COVER ASSEMBLY 0,75 - 1,5 HP |
| 19 | 4405010132 | MECHANICAL SEAL PLATE | 30 | 4405010148 | FAN COVER ASSEMBLY 2 - 3 HP III |
| 20 | 4405010133 | FLANGE SCREWS | 30 | 4405010170 | FAN COVER ASSEMBLY 3 HP II |

FRANÇAIS

| POS. | CODE | DESCRIPTION | POS. | CODE | DESCRIPTION |
|------|------------|---|------|------------|--|
| 1 | 4404130103 | CLE ECROU DE FILTRE | 21 | 4405010130 | FLASQUE ACCOUP. MOTEUR <= 1 HP |
| 2 | 4404130101 | ECROU COUVERCLE PRÉFILTRE | 21 | 4405010131 | FLASQUE ACCOUP. MOTEUR 1,5 HP - 3HP |
| 3 | 4405010702 | COUVERCLE PRÉFILTRE | 22 | 4405010163 | JOINT RAMASSE GOUTTES C.71 1/2-1,5 HP |
| 4 | 4405010178 | JOINT TORIQUE D 151,7x6,99 | 22 | 4405010164 | JOINT RAMASSE GOUTTES C.80 2-3 HP |
| 5 | 4405010105 | PANIER PRÉFILTRE | 23 | 4405010137 | COUVERCLE AXE MOTEUR 0,5 HP |
| 6 | 4405010179 | JOINT PLAT 72x55x2,5 | 23 | 4405010138 | COUVERCLE AXE MOTEUR 0,75 - 1,5 HP |
| 7 | 4405010106 | RACCORDS UNION <= 1 HP | 23 | 4405010139 | COUVERCLE AXE MOTEUR 2 - 3 HP III |
| 7 | 4405010107 | RACCORDS UNION 1,5 HP - 2 HP | 23 | 4405010167 | FLASQUE MEC. C90 B14 RÉDUIT ROULEMENT D52 NOIR |
| 7 | 4405010108 | RACCORDS UNION 3 HP | 24 | 4405010158 | V-RINGS 0,5 HP - 1,5 HP |
| 8 | 4405010109 | CORPS POMPE | 24 | 4405010159 | V-RINGS 2 HP - 3 HP |
| 9 | 4405010110 | BOUCHON DE PURGUE 1/4" | 24 | 4405010176 | V-RINGS VA-25 3 HP II |
| 10 | 4405010206 | RACCORD HYDRAULIQUE DE PIED | 25 | 4405010135 | ROULEMENT MOTEUR <= 1,5 HP |
| 10 | 4405010113 | RACCORD HYDRAULIQUE DE PIED 2 HP - 3 HP III | 25 | 4405010136 | ROULEMENT MOTEUR 2 HP - 3 HP |
| 10 | 4405010180 | RACCORD HYDRAULIQUE DE PIED 3 HP II | 25 | 4405010171 | ENSEMBLE ROULEMENT 6205 2RS 3,5HP |
| 11 | 4405010207 | SOCLE POMPE | 26 | 4405010143 | TIRANTS D'ACCOUPLLEMENT MOTEUR C. 63 |
| 11 | 4405010114 | SOCLE POMPE | 26 | 4405010144 | TIRANTS D'ACCOUPLLEMENT MOTEUR 0,75 - 1,5 HP |
| 12 | 4405010161 | JOINT TORIQUE D 56,7x3,5 | 26 | 4405010145 | TIRANTS D'ACCOUPLLEMENT MOTEUR 2 - 3 HP III |
| 13 | 4405010115 | DIFFUSEUR <=0,75 HP | 26 | 4405010169 | TIRANTS D'ACCOUPLLEMENT MOTEUR (90) 3 HP II |
| 13 | 4405010116 | DIFFUSEUR 1 HP - 2 HP | 27 | 4405010149 | CONDENSATEUR 12 uF |
| 13 | 4405010117 | DIFFUSEUR 3HP | 27 | 4405020121 | CONDENSATEUR 14 uF |
| 14 | 4405010134 | BOUCHON BOUT AXE M8 IZQ. | 27 | 4405020122 | CONDENSATEUR 16 uF |
| 15 | 4405010165 | TURBINE 1/3 HP 50 Hz | 27 | 4405010150 | CONDENSATEUR 18 uF |
| 15 | 4405010119 | TURBINE 0,5 HP II 50 Hz | 27 | 4405010151 | CONDENSATEUR 20 uF |
| 15 | 4405010120 | TURBINE 0,5 HP III 50 Hz | 27 | 4405010152 | CONDENSATEUR 25 uF |
| 15 | 4405010121 | TURBINE 0,75 HP II 50 Hz | 27 | 4405010174 | CONDENSATEUR 32 µF |
| 15 | 4405010122 | TURBINE 0,75 HP III 50 Hz | 27 | 4405010175 | CONDENSATEUR 50 µF |
| 15 | 4405010123 | TURBINE 1 HP II 50 Hz | 27 | 4405010153 | CONDENSATEUR 35 uF |
| 15 | 4405010124 | TURBINE 1 HP III 50 Hz | 28 | 4405010154 | ENSEMBLE BOITIER CONNEXION C. 63-71 II |
| 15 | 4405010125 | TURBINE 1,5 HP II 50 Hz | 28 | 4405010155 | ENSEMBLE BOITIER CONNEXION C. 90 II |
| 15 | 4405010126 | TURBINE 1,5 HP III 50 Hz | 28 | 4405010156 | COUVERCLE BORNIER C 63-71 III |
| 15 | 4405010127 | TURBINE 2 HP II 50 Hz | 28 | 4405010157 | ENSEMBLE BOITIER CONNEXION C.80-90 III |
| 15 | 4405010128 | TURBINE 2 HP III 50 Hz | 29 | 4405010140 | COUVERCLE ARRIÈRE MOTEUR 1/3 A 1/2 HP |
| 15 | 4405010166 | TURBINE 3 HP II 50 Hz | 29 | 4405010141 | COUVERCLE ARRIÈRE MOTEUR 3/4 A 1 HP |
| 15 | 4405010129 | TURBINE 3 HP III 50 Hz | 29 | 4405010142 | COUVERCLE ARRIÈRE MOTEUR 2 - 3 HP III |
| 16 | 4405010162 | JOINT RAMASSE GOUTTES (1/2-3/4-1-1,5-2 HP) | 29 | 4405010168 | COUVERCLE MOTEUR MEC. C90 ROULEMENT D52 |
| 17 | 4405010160 | JOINT FLASQUE ACCOUP. MOTEUR | 30 | 4405010146 | ENSEMBLE COUVERCLE VENTILATEUR 0,5 HP |
| 18 | 4405010118 | GARNITURE MÉCANIQUE | 30 | 4405010147 | ENSEMBLE COUVERCLE VENTILATEUR 0,75 - 1,5 HP |
| 19 | 4405010132 | FLASQUE PORTE GRANITURE | 30 | 4405010148 | ENSEMBLE COUVERCLE VENTILATEUR 2 - 3 HP III |
| 20 | 4405010133 | VIS FLASQUE ACCOUP. MOTEUR | 30 | 4405010170 | ENSEMBLE COUVERCLE VENTILATEUR 3 HP II |

ITALIANO

| POS. | CODE | DESCRIPTION | POS. | CODE | DESCRIPTION |
|------|------------|---|------|------------|--|
| 1 | 4404130103 | CHIAVE GHIERA PER FILTRO | 21 | 4405010130 | FLANGIA MOTORE <= 1 HP |
| 2 | 4404130101 | DADO COPERCHIO PREFILTRO | 21 | 4405010131 | FLANGIA MOTORE 1,5 HP - 3HP |
| 3 | 4405010702 | COPERCHIO PREFILTRO | 22 | 4405010163 | RONDELLA DEFLETTTRICE C.71 1/2-1,5 HP |
| 4 | 4405010178 | O-RING D 151,7x6,99 | 22 | 4405010164 | RONDELLA DEFLETTTRICE C.80 2-3 HP |
| 5 | 4405010105 | CESTO PREFILTRO | 23 | 4405010137 | COPERCHIO ANTERIORE MOTORE 0,5 HP |
| 6 | 4405010179 | GUERNICIONE PIANA 72x55x2,5 | 23 | 4405010138 | COPERCHIO ANTERIORE MOTORE 0,75 - 1,5 HP |
| 7 | 4405010106 | MANICOTTI DI UNIONE <= 1 HP | 23 | 4405010139 | COPERCHIO ANTERIORE MOTORE 2 - 3 HP III |
| 7 | 4405010107 | MANICOTTI DI UNIONE 1,5 HP - 2 HP | 23 | 4405010167 | FLANGIA MEC. C90 B14 RIDOTTO CUSCINETTO D52 NERO |
| 7 | 4405010108 | MANICOTTI DI UNIONE 3 HP | 24 | 4405010158 | V-RINGS 0,5 HP - 1,5 HP |
| 8 | 4405010109 | CORPO BOMBA | 24 | 4405010159 | V-RINGS 2 HP - 3 HP |
| 9 | 4405010110 | TAPPO SCARICO 1/4" | 24 | 4405010176 | V-RINGS VA-25 3 HP II |
| 10 | 4405010206 | UNIONE PARTE IDRAULICA-BASE POMPA | 25 | 4405010135 | CUSCINETTO MOTORE <= 1,5 HP |
| 10 | 4405010113 | UNIONE PARTE IDRAULICA-BASE POMPA 2 HP - 3 HP | 25 | 4405010136 | CUSCINETTO MOTORE 2 HP - 3 HP |
| 10 | 4405010180 | UNIONS PARTE IDRAULICA-BASE POMPA 3 HP II | 25 | 4405010171 | KIT ROLAMENTO 6205 2RS 3,5HP |
| 11 | 4405010207 | PIEDE POMPA | 26 | 4405010143 | ASTAS MOTORE C. 63 |
| 11 | 4405010114 | PIEDE POMPA | 26 | 4405010144 | ASTAS MOTORE 0,75 - 1,5 HP |
| 12 | 4405010161 | O-RING D 56,7x3,5 | 26 | 4405010145 | ASTAS MOTORE 2 - 3 HP III |
| 13 | 4405010115 | DIFFUSORE <=0,75 HP | 26 | 4405010169 | ASTAS MOTORE (90) 3 HP II |
| 13 | 4405010116 | DIFFUSORE 1 HP - 2 HP | 27 | 4405010149 | CONDENSATORE 12 uF |
| 13 | 4405010117 | DIFFUSORE 3HP | 27 | 4405020121 | CONDENSATORE 14 uF |
| 14 | 4405010134 | TAPPO RUOTA M8 SIN. | 27 | 4405020122 | CONDENSATORE 16 uF |
| 15 | 4405010165 | RUOTA 1/3 HP 50 Hz | 27 | 4405010150 | CONDENSATORE 18 uF |
| 15 | 4405010119 | RUOTA 0,5 HP II 50 Hz | 27 | 4405010151 | CONDENSATORE 20 uF |
| 15 | 4405010120 | RUOTA 0,5 HP III 50 Hz | 27 | 4405010152 | CONDENSATORE 25 uF |
| 15 | 4405010121 | RUOTA 0,75 HP II 50 Hz | 27 | 4405010174 | CONDENSATORE 32 uF |
| 15 | 4405010122 | RUOTA 0,75 HP III 50 Hz | 27 | 4405010175 | CONDENSATORE 50 uF |
| 15 | 4405010123 | RUOTA 1 HP II 50 Hz | 27 | 4405010153 | CONDENSATORE 35 uF |
| 15 | 4405010124 | RUOTA 1 HP III 50 Hz | 28 | 4405010154 | GRUPPO MORSETTIERA C. 63-71 II |
| 15 | 4405010125 | RUOTA 1,5 HP II 50 Hz | 28 | 4405010155 | GRUPPO MORSETTIERA C. 90 II |
| 15 | 4405010126 | RUOTA 1,5 HP III 50 Hz | 28 | 4405010156 | COPERCHIO MORSETTIERA C 63-71 III |
| 15 | 4405010127 | RUOTA 2 HP II 50 Hz | 28 | 4405010157 | GRUPPO MORSETTIERA C.80-90 III |
| 15 | 4405010128 | RUOTA 2 HP III 50 Hz | 29 | 4405010140 | COPERCHIO POSTERIORE MOTORE 1/3 A 1/2 HP |
| 15 | 4405010166 | RUOTA 3 HP II 50 Hz | 29 | 4405010141 | COPERCHIO POSTERIORE MOTORE 3/4 A 1 HP |
| 15 | 4405010129 | RUOTA 3 HP III 50 Hz | 29 | 4405010142 | COPERCHIO POSTERIORE MOTORE 2 - 3 HP III |
| 16 | 4405010162 | RONDELLA DEFLETTTRICE (1/2-3/4-1-1,5-2 HP) | 29 | 4405010168 | COPERCHIO MOTORE MEC. C90 CUSCINETTO D52 |
| 17 | 4405010160 | GUARNIZIONE FLANGIA MOTORE | 30 | 4405010146 | KIT VENTOLA-COPRIVENTOLA 0,5 HP |
| 18 | 4405010118 | GUARNIZIONE MECCANICA | 30 | 4405010147 | KIT VENTOLA-COPRIVENTOLA 0,75 - 1,5 HP |
| 19 | 4405010132 | FLANGIA TENUTA MECCANICA | 30 | 4405010148 | KIT VENTOLA-COPRIVENTOLA 2 - 3 HP III |
| 20 | 4405010133 | BUTIONERIA FLANGIA MOTORE | 30 | 4405010170 | KIT VENTOLA-COPRIVENTOLA 3 HP II |

DEUTSCH

| POS. | CODE | DESCRIPTION | POS. | CODE | DESCRIPTION |
|------|------------|--|------|------------|---|
| 1 | 4404130103 | SCHLÜSSEL ÜBERWURFMUTTER SCHLEUSE | 21 | 4405010130 | MOTORFLANSCH <= 1 HP |
| 2 | 4404130101 | SCHRAUBENMUTTER VORFILTERDECKEL | 21 | 4405010131 | MOTORFLANSCH 1,5 HP - 3HP |
| 3 | 4405010702 | VORFILTERDECKEL | 22 | 4405010163 | BEILAGSCHEIBE C.71 1/2-1,5 HP |
| 4 | 4405010178 | O-RING D 151,7x6,99 | 22 | 4405010164 | BEILAGSCHEIBE C. 80 2-3 HP |
| 5 | 4405010105 | VORFILTERKORB | 23 | 4405010137 | MOTORDECKEL VORN 0,5 HP |
| 6 | 4405010179 | FLACHDICHTUNG 72x55x2,5 | 23 | 4405010138 | MOTORDECKEL VORN 0,75 - 1,5 HP |
| 7 | 4405010106 | ANSCHLUSS-ZUBEHÖR <= 1 HP | 23 | 4405010139 | MOTORDECKEL VORN 2 - 3 HP III |
| 7 | 4405010107 | ANSCHLUSS-ZUBEHÖR 1,5 HP - 2 HP | 23 | 4405010167 | FLANSCH MEC. C90 B14 VERRINGERT LAGERSITZ D52 SCHWARE |
| 7 | 4405010108 | ANSCHLUSS-ZUBEHÖR 3 HP | 24 | 4405010158 | V-RING 0,5 HP - 1,5 HP |
| 8 | 4405010109 | PUMPENKÖRPER | 24 | 4405010159 | V-RING 2 HP - 3 HP |
| 9 | 4405010110 | ABLAS SCHRAUBE 1/4" | 24 | 4405010176 | V-RING VA-25 3 HP II |
| 10 | 4405010206 | HYDRAULIK-ANSCHLUSS-FUSS | 25 | 4405010135 | KUGELLAGER MOTOR <=1,5 HP |
| 10 | 4405010113 | HYDRAULIK-ANSCHLUSS-FUSS 2 HP - 3 HP III | 25 | 4405010136 | KUGELLAGER MOTOR 2 HP - 3 HP |
| 10 | 4405010180 | HYDRAULIK-ANSCHLUSS-FUSS 3 HP II | 25 | 4405010171 | KIT ROLAMENTO 6205 2RS 3,5HP |
| 11 | 4405010207 | PUMPENFUSS | 26 | 4405010143 | MOTORGESTÄNGE C. 63 |
| 11 | 4405010114 | PUMPENFUSS | 26 | 4405010144 | MOTORGESTÄNGE 0,75 - 1,5 HP |
| 12 | 4405010161 | O-RING D 56,7x3,5 | 26 | 4405010145 | MOTORGESTÄNGE 2 - 3 HP III |
| 13 | 4405010115 | DIFFUSOR <=0,75 HP | 26 | 4405010169 | MOTORGESTÄNGE (90) 3 HP II |
| 13 | 4405010116 | DIFFUSOR 1 HP - 2 HP | 27 | 4405010149 | KONDENSATOR 12 uF |
| 13 | 4405010117 | DIFFUSOR 3HP | 27 | 4405020121 | KONDENSATOR 14 uF |
| 14 | 4405010134 | DECKEL LAUFRAD M8 LINKS | 27 | 4405020122 | KONDENSATOR 16 uF |
| 15 | 4405010165 | LAUFRAD 1/3 HP 50 Hz | 27 | 4405010150 | KONDENSATOR 18 uF |
| 15 | 4405010119 | LAUFRAD 0,5 HP II 50 Hz | 27 | 4405010151 | KONDENSATOR 20 uF |
| 15 | 4405010120 | LAUFRAD 0,5 HP III 50 Hz | 27 | 4405010152 | KONDENSATOR 25 uF |
| 15 | 4405010121 | LAUFRAD 0,75 HP II 50 Hz | 27 | 4405010174 | KONDENSATOR 32 uF |
| 15 | 4405010122 | LAUFRAD 0,75 HP III 50 Hz | 27 | 4405010175 | KONDENSATOR 50 uF |
| 15 | 4405010123 | LAUFRAD 1 HP II 50 Hz | 27 | 4405010153 | KONDENSATOR 35 uF |
| 15 | 4405010124 | LAUFRAD 1 HP III 50 Hz | 28 | 4405010154 | SET VERTEILERDOSE C. 63-71 II |
| 15 | 4405010125 | LAUFRAD 1,5 HP II 50 Hz | 28 | 4405010155 | SET VERTEILERDOSE C. 90 II |
| 15 | 4405010126 | LAUFRAD 1,5 HP III 50 Hz | 28 | 4405010156 | DECKEL MOTORANSCHLUSSKASTEN C 63-71 III |
| 15 | 4405010127 | LAUFRAD 2 HP II 50 Hz | 28 | 4405010157 | SET VERTEILERDOSE C. 80-90 III |
| 15 | 4405010128 | LAUFRAD 2 HP III 50 Hz | 29 | 4405010140 | MOTORDECKEL HINTEN 1/3 A 1/2 HP |
| 15 | 4405010166 | LAUFRAD 3 HP II 50 Hz | 29 | 4405010141 | MOTORDECKEL HINTEN 3/4 A 1 HP |
| 15 | 4405010129 | LAUFRAD 3 HP III 50 Hz | 29 | 4405010142 | MOTORDECKEL HINTEN 2 - 3 HP III |
| 16 | 4405010162 | BEILAGSCHEIBE (1/2-3/4-1-1,5-2 HP) | 29 | 4405010168 | MOTORDECKEL MEC. C90 LAGERSITZ D52 |
| 17 | 4405010160 | DICHTUNG MOTORFLANSCH | 30 | 4405010146 | SET VENTILATOR-DECKEL 0,5 HP |
| 18 | 4405010118 | GLEITRINGDICHTUNG | 30 | 4405010147 | SET VENTILATOR-DECKEL 0,75 - 1,5 HP |
| 19 | 4405010132 | VERSCHLUSSFLANSCH | 30 | 4405010148 | SET VENTILATOR-DECKEL 2 - 3 HP III |
| 20 | 4405010133 | MOTORENFLANSCH-VERSCHRAUBUNG | 30 | 4405010170 | SET VENTILATOR-DECKEL 3 HP II |

PORTUGUÊS

| POS. | CODE | DESCRIPTION | POS. | CODE | DESCRIPTION |
|------|------------|--|------|------------|---|
| 1 | 4404130103 | CHAVE PORCA FILTRO | 21 | 4405010130 | MANILHA MOTOR <= 1 HP |
| 2 | 4404130101 | PORCA TAMPA PRÉ-FILTRO | 21 | 4405010131 | MANILHA MOTOR 1,5 HP - 3HP |
| 3 | 4405010702 | TAMPA PRÉ-FILTRO | 22 | 4405010163 | ANILHA DEFLECTORA C.71 1/2-1,5 HP |
| 4 | 4405010178 | JUNTA TÓRICA D 151,7x6,99 | 22 | 4405010164 | ANILHA DEFLECTORA C.80 2-3 HP |
| 5 | 4405010105 | CESTO PRÉ-FILTRO | 23 | 4405010137 | TAMPA DIANTEIRA MOTOR 0,5 HP |
| 6 | 4405010179 | JUNTA PLANA 72x55x2,5 | 23 | 4405010138 | TAMPA DIANTEIRA MOTOR 0,75 - 1,5 HP |
| 7 | 4405010106 | ACESSÓRIOS DE UNIÃO <= 1 HP | 23 | 4405010139 | TAMPA DIANTEIRA MOTOR 2 - 3 HP III |
| 7 | 4405010107 | ACESSÓRIOS DE UNIÃO 1,5 HP - 2 HP | 23 | 4405010167 | MANILHA MEC. C90 B14 REDUZIDO ROLAMENTO D52 PRETO |
| 7 | 4405010108 | ACESSÓRIOS DE UNIÃO 3 HP | 24 | 4405010158 | V-RINGS 0,5 HP - 1,5 HP |
| 8 | 4405010109 | CORPO BOMBA | 24 | 4405010159 | V-RINGS 2 HP - 3 HP |
| 9 | 4405010110 | TAMPÃO PURGA 1/4" | 24 | 4405010176 | V-RINGS VA-25 3 HP II |
| 10 | 4405010206 | UNIÃO HIDRÁULICA PIE | 25 | 4405010135 | ROLAMENTO MOTOR <=1,5 HP |
| 10 | 4405010113 | UNIÃO HIDRÁULICA PIE 2 HP - 3 HP III | 25 | 4405010136 | ROLAMENTO MOTOR 2 HP - 3 HP |
| 10 | 4405010180 | UNIÃO HIDRÁULICA PIE 3 HP II | 25 | 4405010171 | CONJUNTO ROLAMENTO 6205 2RS 3,5HP |
| 11 | 4405010207 | PÉ BOMBA | 26 | 4405010143 | VARETAS MOTOR C. 63 |
| 11 | 4405010114 | PÉ BOMBA | 26 | 4405010144 | VARETAS MOTOR 0,75 - 1,5 HP |
| 12 | 4405010161 | JUNTA TÓRICA D 56,7x3,5 | 26 | 4405010145 | VARETAS MOTOR 2 - 3 HP III |
| 13 | 4405010115 | DIFUSOR <=0,75 HP | 26 | 4405010169 | VARETAS MOTOR (90) 3 HP II |
| 13 | 4405010116 | DIFUSOR 1 HP - 2 HP | 27 | 4405010149 | CONDENSADOR 12 uF |
| 13 | 4405010117 | DIFUSOR 3HP | 27 | 4405020121 | CONDENSADOR 14 uF |
| 14 | 4405010134 | TAMPO RODIZIO M8 ESQ. | 27 | 4405020122 | CONDENSADOR 16 uF |
| 15 | 4405010165 | RODÍZIO 1/3 HP 50 Hz | 27 | 4405010150 | CONDENSADOR 18 uF |
| 15 | 4405010119 | RODÍZIO 0,5 HP II 50 Hz | 27 | 4405010151 | CONDENSADOR 20 uF |
| 15 | 4405010120 | RODÍZIO 0,5 HP III 50 Hz | 27 | 4405010152 | CONDENSADOR 25 uF |
| 15 | 4405010121 | RODÍZIO 0,75 HP II 50 Hz | 27 | 4405010174 | CONDENSADOR 32 uF |
| 15 | 4405010122 | RODÍZIO 0,75 HP III 50 Hz | 27 | 4405010175 | CONDENSADOR 50 uF |
| 15 | 4405010123 | RODÍZIO 1 HP II 50 Hz | 27 | 4405010153 | CONDENSADOR 35 uF |
| 15 | 4405010124 | RODÍZIO 1 HP III 50 Hz | 28 | 4405010154 | CONJUNTO CAIXA LIGAÇÕES C. 63-71 II |
| 15 | 4405010125 | RODÍZIO 1,5 HP II 50 Hz | 28 | 4405010155 | CONJUNTO CAIXA LIGAÇÕES C.90 II |
| 15 | 4405010126 | RODÍZIO 1,5 HP III 50 Hz | 28 | 4405010156 | TAMPA CAIXA BORNES C 63-71 III |
| 15 | 4405010127 | RODÍZIO 2 HP II 50 Hz | 28 | 4405010157 | CONJUNTO CAIXA LIGAÇÕES C.80-90 III |
| 15 | 4405010128 | RODÍZIO 2 HP III 50 Hz | 29 | 4405010140 | TAMPA TRASEIRA MOTOR 1/3 A 1/2 HP |
| 15 | 4405010166 | RODÍZIO 3 HP II 50 Hz | 29 | 4405010141 | TAMPA TRASEIRA MOTOR 3/4 A 1 HP |
| 15 | 4405010129 | RODÍZIO 3 HP III 50 Hz | 29 | 4405010142 | TAMPA TRASEIRA MOTOR 2 - 3 HP III |
| 16 | 4405010162 | ANILHA DEFLECTORA (1/2-3/4-1-1,5-2 HP) | 29 | 4405010168 | TAMPA MOTOR MEC. C90 ROLAMENTO D52 |
| 17 | 4405010160 | JUNTA MANILHA MOTOR | 30 | 4405010146 | CONJUNTO VENTILADOR-TAMPA 0,5 HP |
| 18 | 4405010118 | JUNTA MECÂNICA | 30 | 4405010147 | CONJUNTO VENTILADOR-TAMPA 0,75 - 1,5 HP |
| 19 | 4405010132 | FLANGE DO SELO MECÂNICO | 30 | 4405010148 | CONJUNTO VENTILADOR-TAMPA 2 - 3 HP III |
| 20 | 4405010133 | PARAFUSOS DA FLANGE DO SELO | 30 | 4405010170 | CONJUNTO VENTILADOR-TAMPA 3 HP II |