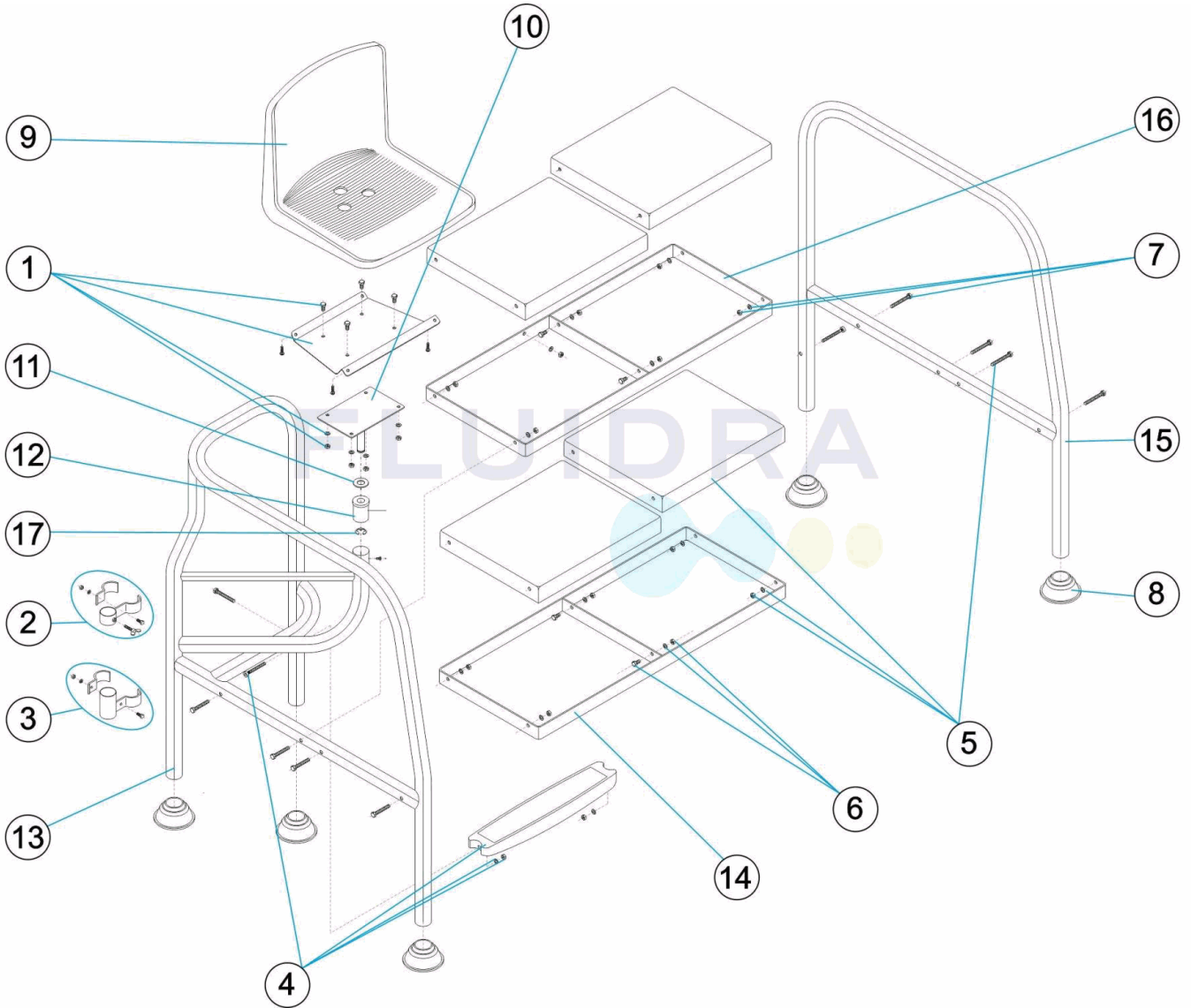


CODIGO 15673

DESCRIPCION: SILLA SOCORRISTA H-400

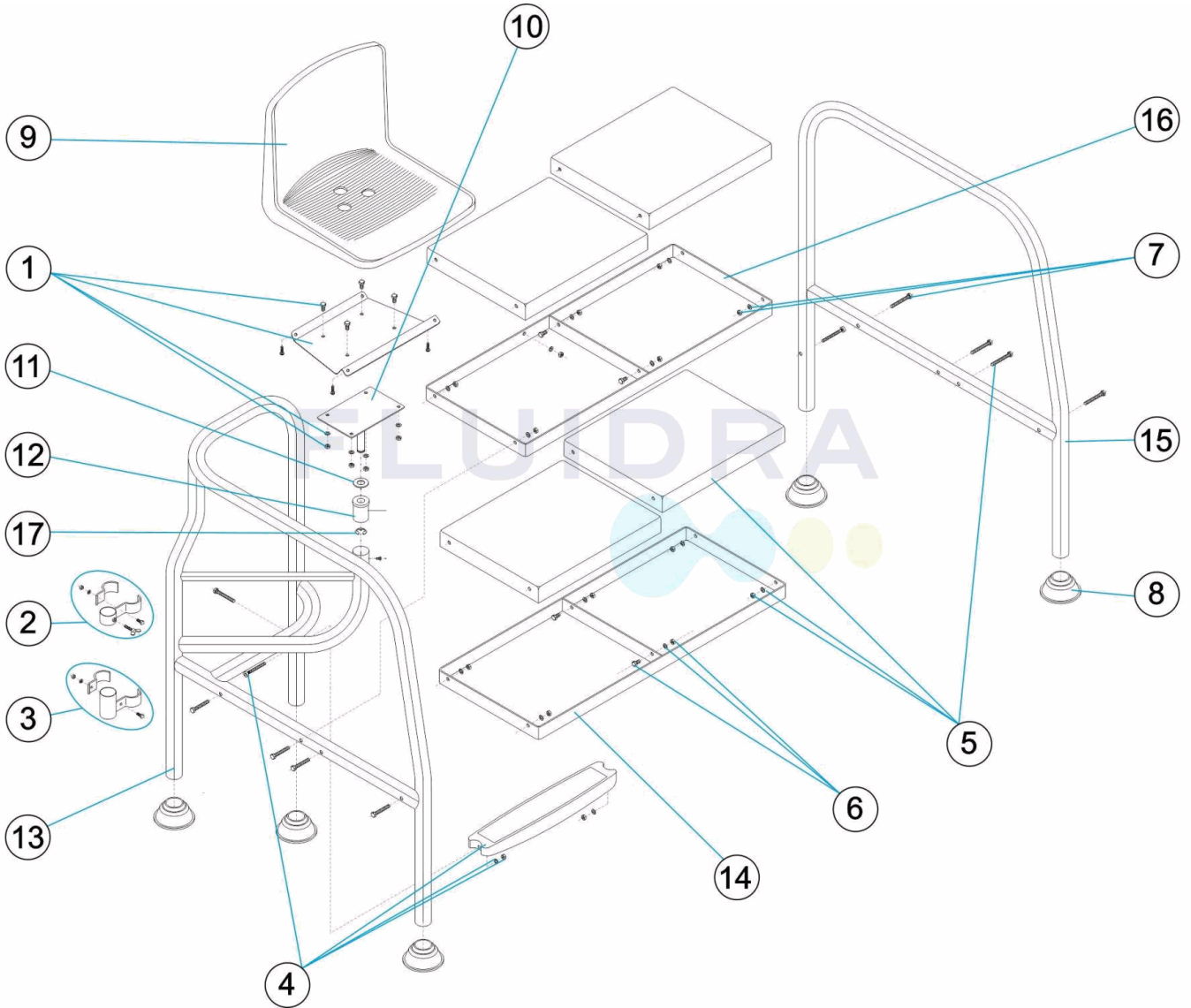


ESPAÑOL

POS	CODIGO	DESCRIPCION	POS	CODIGO	DESCRIPCION
1	4401070206	PLACA ASIENTO	10	15673R0400	SOPORTE ASIENTO
2	4401070205	SUJECCION PARASOL	11	15673R0002	ARANDELA SOPORTE ASIENTO
3	4401070204	SOPORTE PARASOL	12	15673R0001	CASQUILLO DE PLASTICO
4	4401010203	PELDAÑO PLASTICO 500	13	15673R0300	ESTRUCTURA LATERAL DERECHA
5	4401070305	PLATAFORMA SILLA SOCORRISTA	14	15673R0100	MARCO SOPORTE PLATAFORMA
6	4401070306	TORNILLERIA INTERIOR PELDAÑO	15	15673R0200	ESTRUCTURA LATERAL IZQUIERDA
7	4401011404	TORNILLERIA PELDAÑO PLASTICO	16	15674R0400	MARCO SOPORTE PLATAFORMA
8	4401010501	TOPE ARTICULADO	17	70137R19000	ARANDELA SEG. 19 DIN-6799
9	4401011518	ASIENTO			

CODE 15673

DESCRIPTION: FAUTEUIL DE SURVEILLANCE H-400

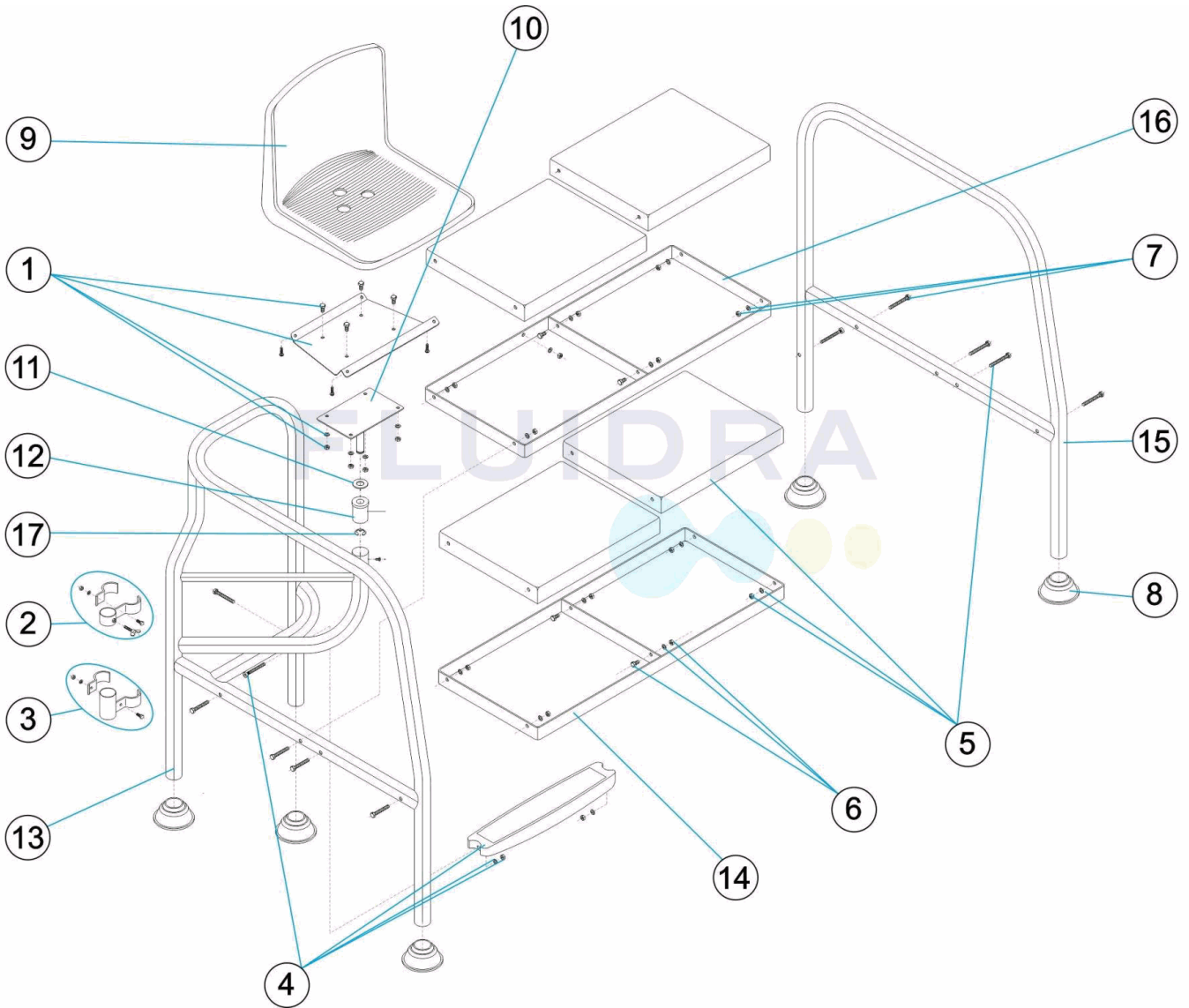


FRANCAIS

POS	CODE	DESCRIPTION	POS	CODE	DESCRIPTION
1	4401070206	PLAQUE SUPPORT DE SIEGE	10	15673R0400	SUPPORT DE SIEGE
2	4401070205	FIXATION PARASOL	11	15673R0002	RONDELLE SUPPORT DE SIEGE
3	4401070204	SUPPORT PARASOL	12	15673R0001	DOUILLE EN PLASTIQUE
4	4401010203	MARCHE PLASTIQUE LARGEUR 500	13	15673R0300	STRUCTURE LATERALE DROITE
5	4401070305	PLATE-FORME DE FAUTEUIL DE SURVEILLANCE	14	15673R0100	PLATEFORME ESCALIER 970MM
6	4401070306	VISSERIE INTERIEUR MARCHE	15	15673R0200	STRUCTURE LATERALE GAUCHE
7	4401011404	VISSERIE MARCHE PLASTIQUE	16	15674R0400	CADRE DE SUPPORT PLATEFORME
8	4401010501	TAMPON ARTICULÉ	17	70137R19000	RONDELLE SEG
9	4401011518	SEAT			

CODE **15673**

DESCRIPTION: **LIFEGUARD CHAIR H-400**

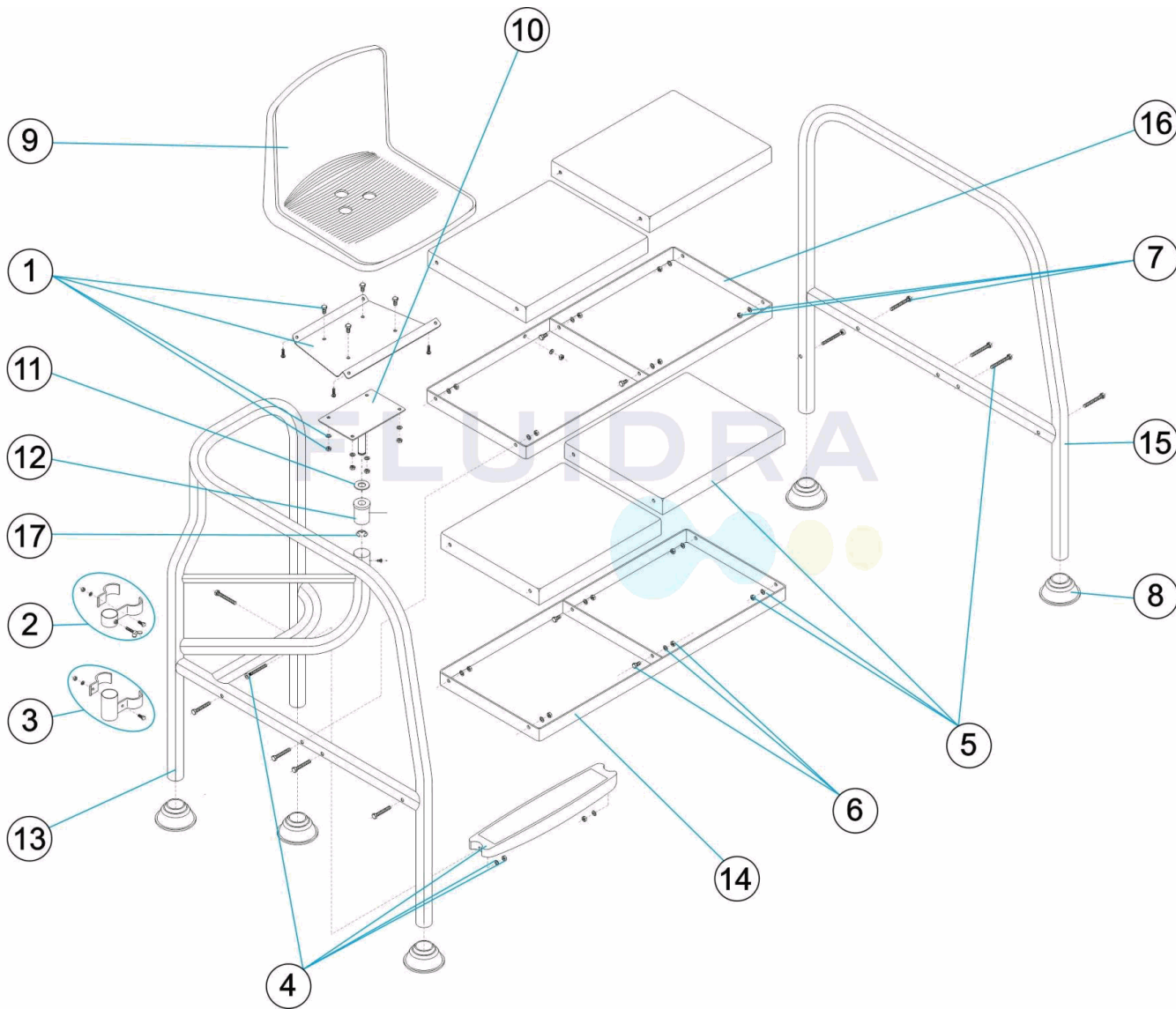


**ENGLISH**

POS	CODE	DESCRIPTION	POS	CODE	DESCRIPTION
1	4401070206	CHAIR PLATE	10	15673R0400	SEAT SUPPORT
2	4401070205	PARASOL HOLDER	11	15673R0002	SEAT SUPPORT WASHER
3	4401070204	PARASOL SUPPORT	12	15673R0001	PLASTIC CAP
4	4401010203	PLASTIC TREAD 500	13	15673R0300	LATERAL RIGHT STRUCTURE
5	4401070305	LIFEGUARD PLATFORM	14	15673R0100	PLATFORM SUPPORT FRAME
6	4401070306	INNER TREAD BOLTS	15	15673R0200	LATERAL LEFT STRUCTURE
7	4401011404	PLASTIC TREAD BOLTS	16	15674R0400	PLATFORM SUPPORT FRAME
8	4401010501	ARTICULATED FOOT PAD	17	70137R19000	WASHER SEG. 19 DIN-6799
9	4401011518	SIÈGE			

CODICE 15673

DESCRIZIONE: SEDIA BAGNINO H-400

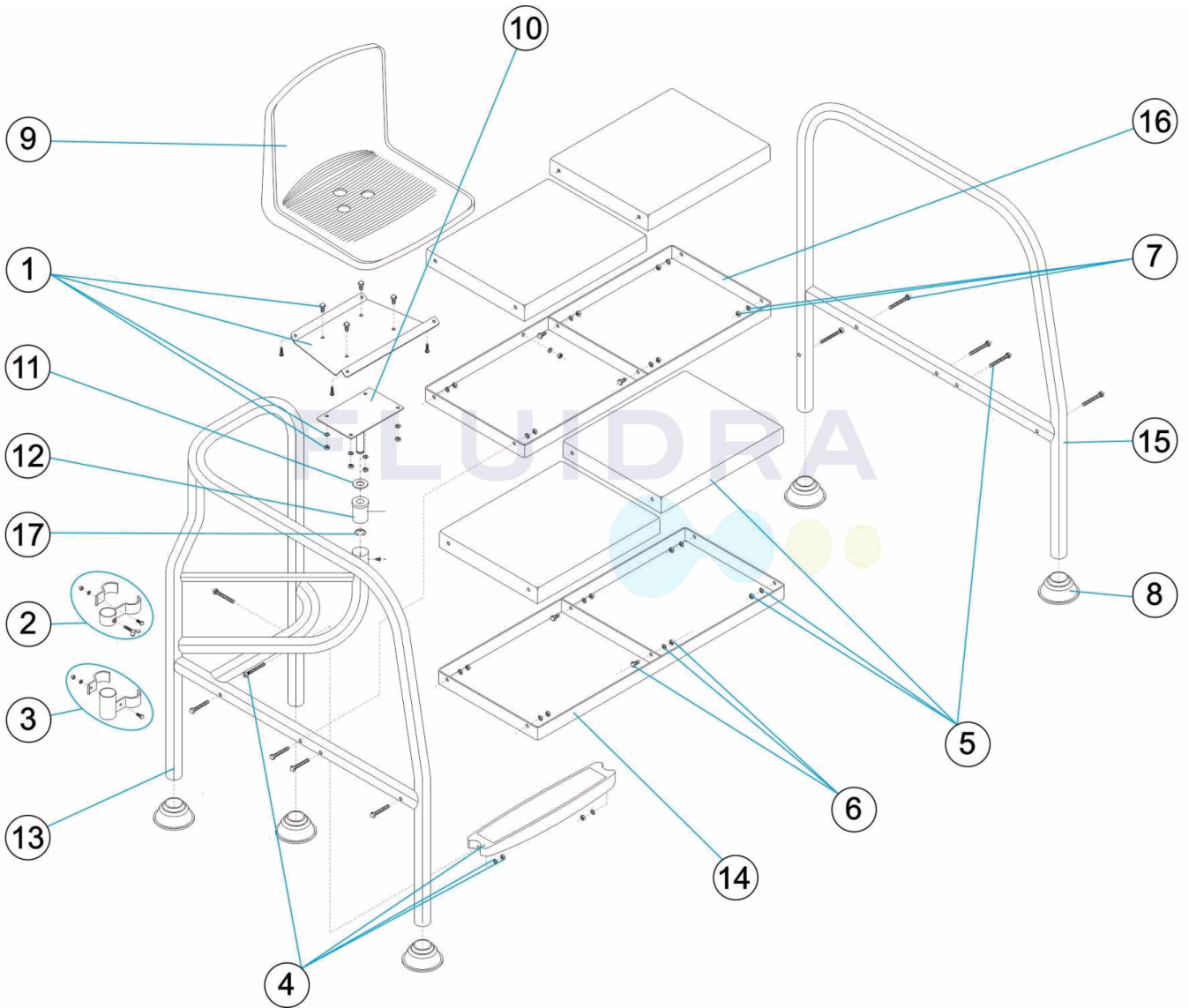


ITALIANO

POS	CODICE	DESCRIZIONE	POS	CODICE	DESCRIZIONE
1	4401070206	PIASTRA SEGGIOLA	10	15673R0400	SOSTEGNO SEDILE
2	4401070205	FISSAGGIO OMBRELLONE	11	15673R0002	RONDELLA SUPPORTO SEDILE
3	4401070204	SUPPORTO OMBRELLONE	12	15673R0001	GHIERA IN PLASTICA
4	4401010203	GRADINO IN PLASTICA DA 500 MM	13	15673R0300	STRUTTURA LATERALE DESTRA
5	4401070305	PIATTAFORMA	14	15673R0100	CORNICE SUPPORTO PIATTAFORMA
6	4401070306	BULLONERIA INTERNA GRADINO	15	15673R0200	STRUTTURA LATERALE SINISTRA
7	4401011404	BULLONERIA GRADINO PLASTICA	16	15674R0400	CORNICE SUPPORTO PIATTAFORMA
8	4401010501	PIEDINO SNODABILE	17	70137R19000	19 DIN-06799"
9	4401011518	SEIDA			

CODE **15673**

BESCHREIBUNG: **RETTUNGSSCHWIMMERSITZ H-400**

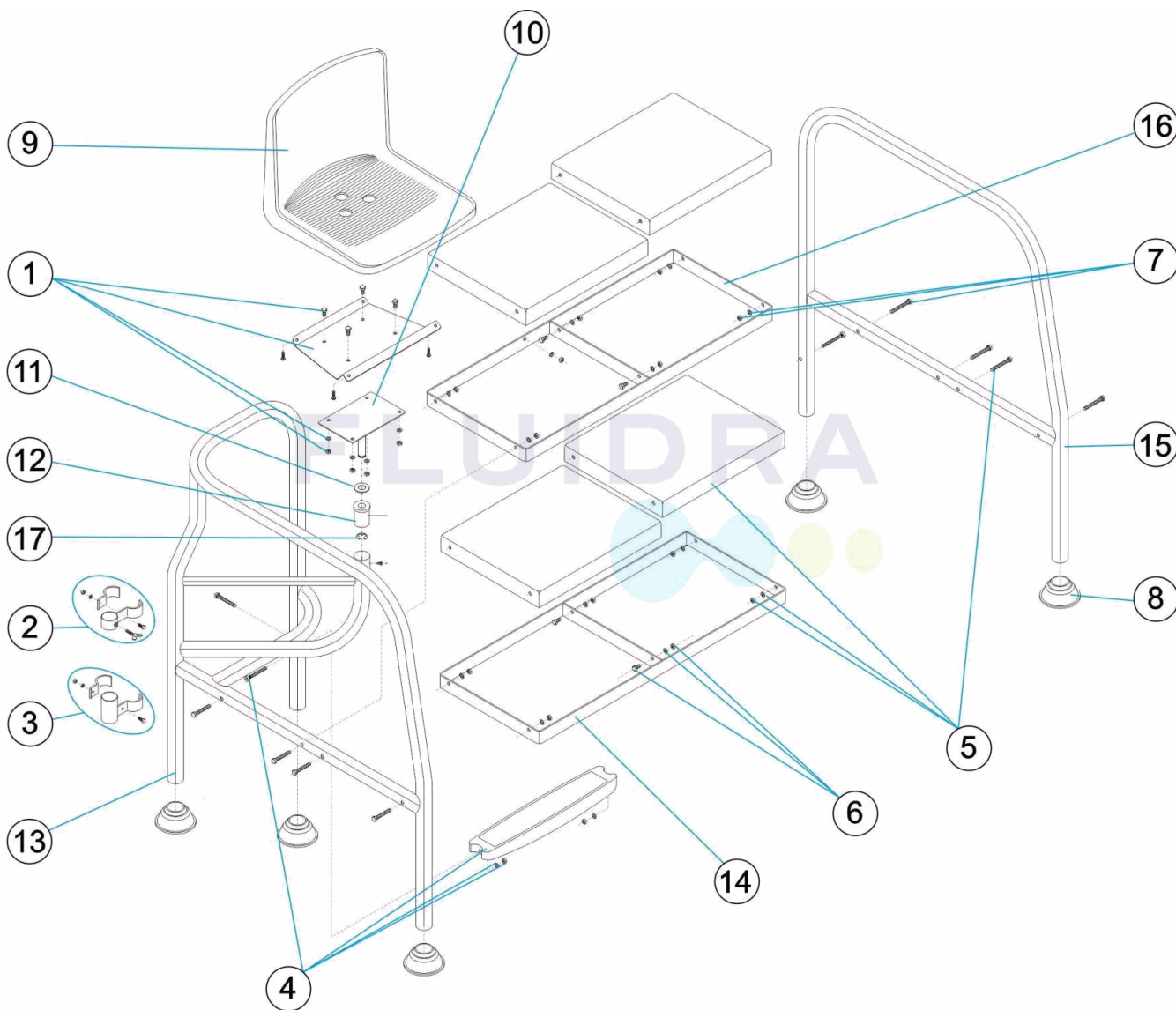


**DEUTSCH**

POS	CODE	BESCHREIBUNG	POS	CODE	BESCHREIBUNG
1	4401070206	PLATINE SITZ	10	15673R0400	HALTERUNG SITZ
2	4401070205	BEFESTIGUNG SONNENSCHIRM	11	15673R0002	UNTERLEGSCHIEBE HALTERUNG SITZ
3	4401070204	HALTERUNG SONNENSCHIRM	12	15673R0001	FASSUNG KUNSTSTOFF
4	4401010203	STUFE KUNSTSTOFF 500	13	15673R0300	SEITENSTRUKTUR RECHTS
5	4401070305	PLATTFORM RETTUNGSSCHWIMMERSITZ	14	15673R0100	STÜTZRAHMEN PLATTFORM
6	4401070306	SCHRAUBENSATZ INNEN STUFE	15	15673R0200	SEITENSTRUKTUR LINKS
7	4401011404	SCHRAUBENSATZ STUFE KUNSTSTOFF	16	15674R0400	STÜTZRAHMEN PLATTFORM
8	4401010501	BEWEGLICHER ABSCHLUSS	17	70137R19000	UNTERLEGSCHIEBE SEG. 19 DIN-6799
9	4401011518	SITZ			

CODIGO **15673**

DESCRIÇÃO: **CADEIRA SOCORRISTA H-400**



**PORTUGUES**

POS	CODIGO	DESCRIÇÃO	POS	CODIGO	DESCRIÇÃO
1	4401070206	PLACA ASSENTO	10	15673R0400	SUPORTE ASSENTO
2	4401070205	FIXAÇÃO PROTECTOR	11	15673R0002	ANILHA SUPORTE ASSENTO
3	4401070204	SUPORTE PARASOL	12	15673R0001	CASQUILHO DE PLASTICO
4	4401010203	DEGRAU PLÁSTICO 500	13	15673R0300	ESTRUTURA LATERAL DIREITA
5	4401070305	PLATAFORMA CADEIRA SOCORRISTA	14	15673R0100	QUADRO SUPORTE PLATAFORMA
6	4401070306	CONJ.PARAFUSOS INTERIOR DEGRAU	15	15673R0200	ESTRUTURA LATERAL ESQUERDA
7	4401011404	PARAFUSOS DEGRAU PLÁSTICO	16	15674R0400	QUADRO SUPORTE PLATAFORMA
8	4401010501	BATENTE ARTICULADA	17	70137R19000	ANILHA SEG. 19 DIN-6799
9	4401011518	CADEIRA			