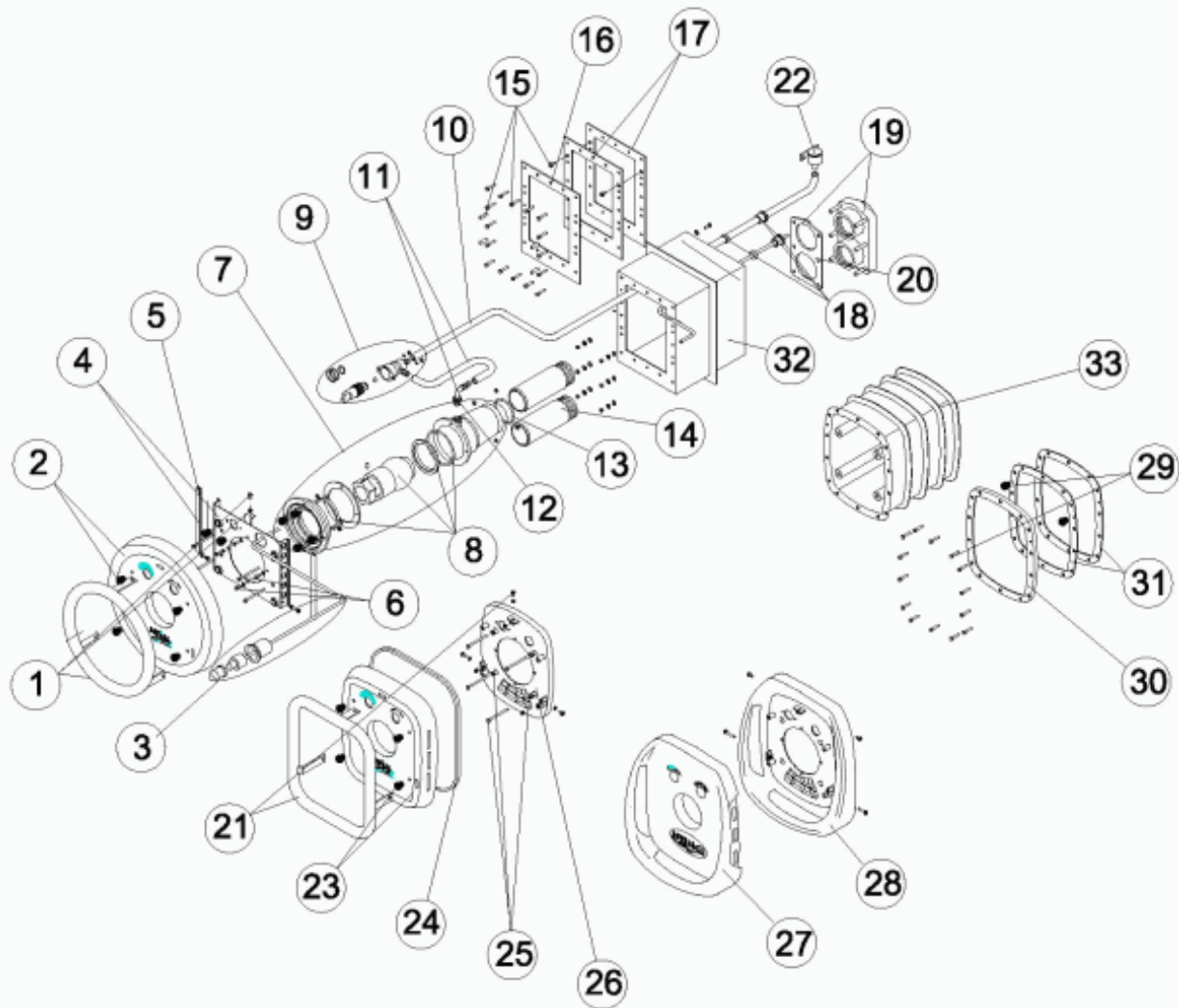


CODE **11013, 11014, 11015, 11016, 11499, 11500, 11501, 11508**

BESCHREIBUNG: **ANLAGE GEGENSTROM-SCHWIMMEN**



**DEUTSCHE**

POS	CODE	BESCHREIBUNG	POS	CODE	BESCHREIBUNG
1	440205051	RECHTECKIGE RUND	17	4402011407	FLANSCHDICHTUNG
2	4402050101	FRONTPLATTE GSA RUND	17	4402050113	DICHTUNG FLANSCH GSA 2-FLUT
3	4402050119	PNEUMATIKTASTER GSA KOMPLETT	18	4402050110	PG-VERSCHRAUBUNGSSATZ GSA
4	4402050123	BEFESTIGUNGSPLATTE GSA 1-FLUT MIT PROFIL	19	4402050107	ANSCHLUSSFLANSCH MIT DICHTUNG
4	4402050124	BEFESTIGUNGSPLATTE GSA 2-FLUT MIT PROFIL	20	4402050108	DICHTUNG ANSCHLUSSFLANSCH GSA
5	4402050125	KANTENPROFIL GSA BEFESTIGUNGSPLATTE	21	4402050506	RECHTECKIGE VERANKERUNG
6	4402050133	SCHRAUBENSATZ BEFESTIGUNGSPLATTE GSA	21	4402050507	DOPPELVERANKERUNG GERÄT
7	4402050132	DÜSE GSA KOMPLETT	21	4402050508	RECHTECKIGE VERANKERUNG WEISS
8	4402050417	DÜSENSET	22	4402050109	LUFTANSAUGVENTIL
9	4402050603	LUFTREGLER GSA KOMPLETT	23	4402050102	FRONTPLATTE GSA EDELSTAHL
10	4401070015	ANSAUGFÜHRUNS 1,5 M.	23	4402050103	FRONTPLATTE GSA 2-FLUT
11	4402050121	LUFTSCHLAUCH GSA KURZ L-300 MM.	23	4402050104	FRONTPLATTE KUNSTSTOFF GSA 1-FLUT
11	4402050502	LUFTSCHLAUCH GSA KURZ L-350 MM.	24	4402050105	KANTENPROFIL GSA FRONTPLATTE
12	4402050415	"ECKSTÜCK 3/8" D.12 NYLON"	25	4402050134	SCHRAUBENSATZ BEFESTIGUNGSPLATTE GSA
13	4402050503	O-RING 63X4	26	4402050126	BEFESTIGUNGSPLATTE AUS KUNSTSTOFF
14	4402050118	SAUG-/ DRUCKROHR GSA	27	4402050106	FRONTPLATTE GSA MIT HANDGRIFFEN
15	4402050115	SCHRAUBENSATZ FLANSCH GSA 1-FLUT EDELSTAHL	28	4402050127	BEFESTIGUNGSPLATTE KUNSTSTOFF GSA
16	4402050504	ROSTFREIER RAHMEN	29	4402050114	SCHRAUBENSATZ FLANSCH GSA KUNSTST.
16	4402050505	ROSTFREIER DOPPELRAHMEN	30	4402050509	PLASTIKRAHMEN

CODE **11013, 11014, 11015, 11016, 11499, 11500, 11501, 11508**

BESCHREIBUNG: **ANLAGE GEGENSTROM-SCHWIMMEN**

31	4402050111	DICHTUNG FLANSCH KUNSTSTOFF GSA	32	05555R0100	ROSTFREIER DOPPELLAGERKASTEN
32	00243R0100	ROSTFREIER GEHÄUSEKASTEN	33	11502R0100	GEHÄNSE

CODE **11013, 11014, 11015, 11016, 11499, 11500, 11501, 11508**BESCHREIBUNG: **ANLAGE GEGENSTROM-SCHWIMMEN****HINWEISE**

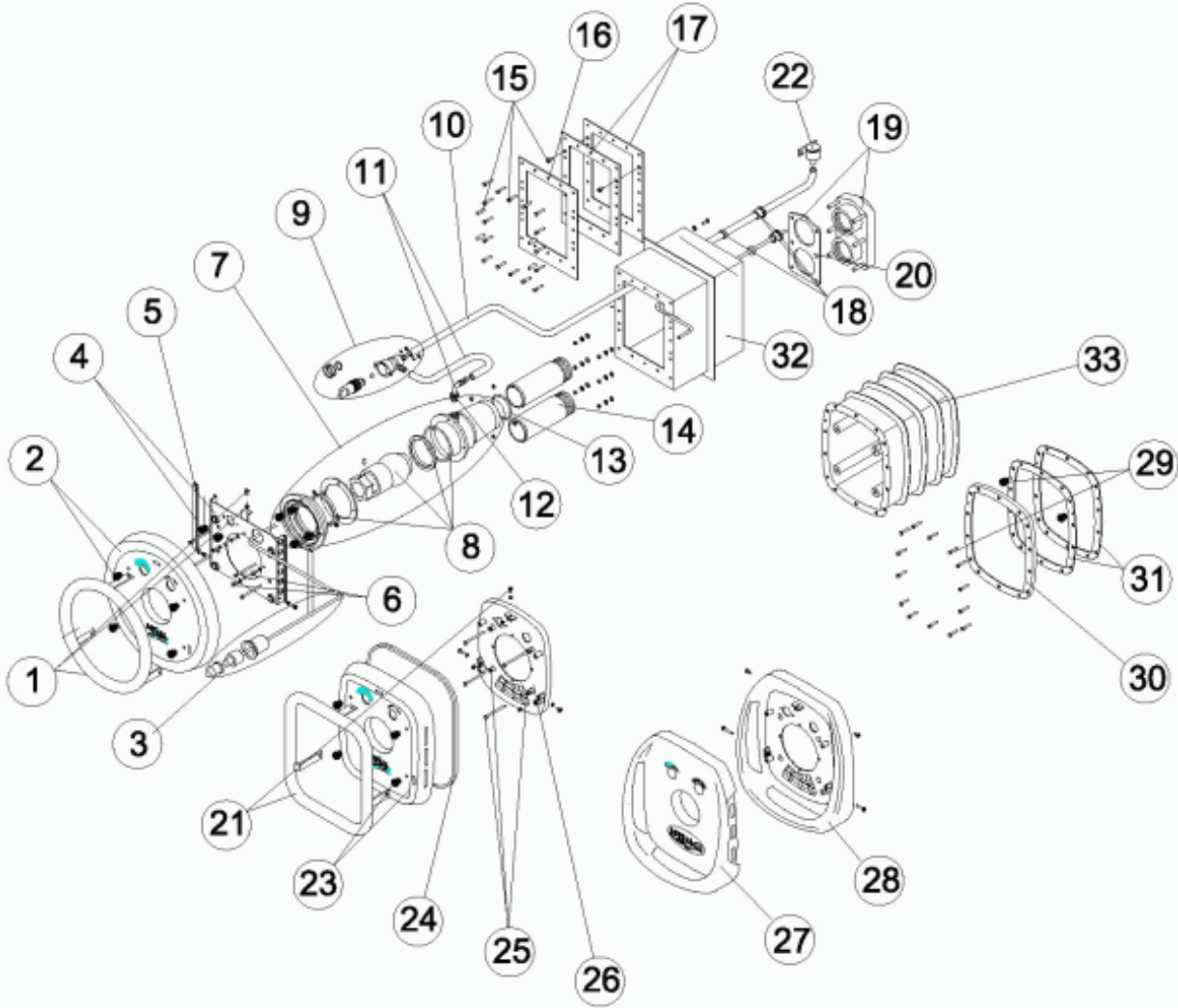
POSICIÓN	PIEZA	OBSERVACIÓN
----------	-------	-------------

---

---

CODE **11013, 11014, 11015, 11016, 11499, 11500, 11501, 11508**

DESCRIPTION: **COUNTER-CURRENT SWIMMING EQUIPMENT**



**ENGLISH**

POS	CODE	DESCRIPTION	POS	CODE	DESCRIPTION
1	440205051	ROUND HAND GRIP	17	4402011407	S.S. FRAME GASKET
2	4402050101	CIRCULAR FACEPLATE	17	4402050113	CCU DOUBLE HEADER FRAME GASKET
3	4402050119	COMPLETE SWITCH	18	4402050110	CCU CABLE GLAND
4	4402050123	S.S. FIXING PLATE + SUPPORT PROFILE	19	4402050107	FLANGE CONNECTION WITH GASKET
4	4402050124	S.S. DOUBLE FIXING PLATE + SUPPORT	20	4402050108	CCU GASKET COVER
5	4402050125	FIXING PLATE SUPPORT PROFILE	21	4402050506	RECTANGULAR HAND GRIP
6	4402050133	S.S. FIXING PLATE BOLTS	21	4402050507	DOUBLE EQUIP HAND GRIP
7	4402050132	CCU COMPLETE INLET	21	4402050508	WHITE RECTANGULAR HAND GRIP
8	4402050417	NOZZLE UNIT	22	4402050109	AIR SUCTION VALVE
9	4402050603	CCU REGULATOR VALVE	23	4402050102	S.S. FACEPLATE
10	4401070015	SUCTION GUIDE 1,5 M.	23	4402050103	DOUBLE HEADED FACEPLATE
11	4402050121	VENTURI SUCTION CONDUIT L-300 M/M.	23	4402050104	PLASTIC FACEPLATE
11	4402050502	VENTURI SUCTION CONDUIT L-350 M/M.	24	4402050105	FACEPLATE SUPPORT PROFILE
12	4402050415	"NYLON D.12 3/8" ELBOW"	25	4402050134	PLASTIC FIXING PLATE SCREWS
13	4402050503	63X4 JOINT	26	4402050126	PLASTIC FIXING PLATE
14	4402050118	SUCTION / RETURN TUBE	27	4402050106	FACEPLATE WITH GRABPULL
15	4402050115	S.S. FRAME SCREWS	28	4402050127	PLATE WITH GRABPULLS
16	4402050504	S.S. FRAME	29	4402050114	PLASTIC FRAME SCREWS
16	4402050505	S.S. TWIN FRAME	30	4402050509	PLASTIC FRAME

CODE **11013, 11014, 11015, 11016, 11499, 11500, 11501, 11508**DESCRIPTION: **COUNTER-CURRENT SWIMMING EQUIPMENT**

31	4402050111	CCU PLASTIC FRAME GASKET	32	05555R0100	S.S. TWIN HOUSING CASE
32	00243R0100	S.S. HOUSING CASE	33	11502R0100	HOUSING CASC

CODE                    **11013, 11014, 11015, 11016, 11499, 11500, 11501, 11508**

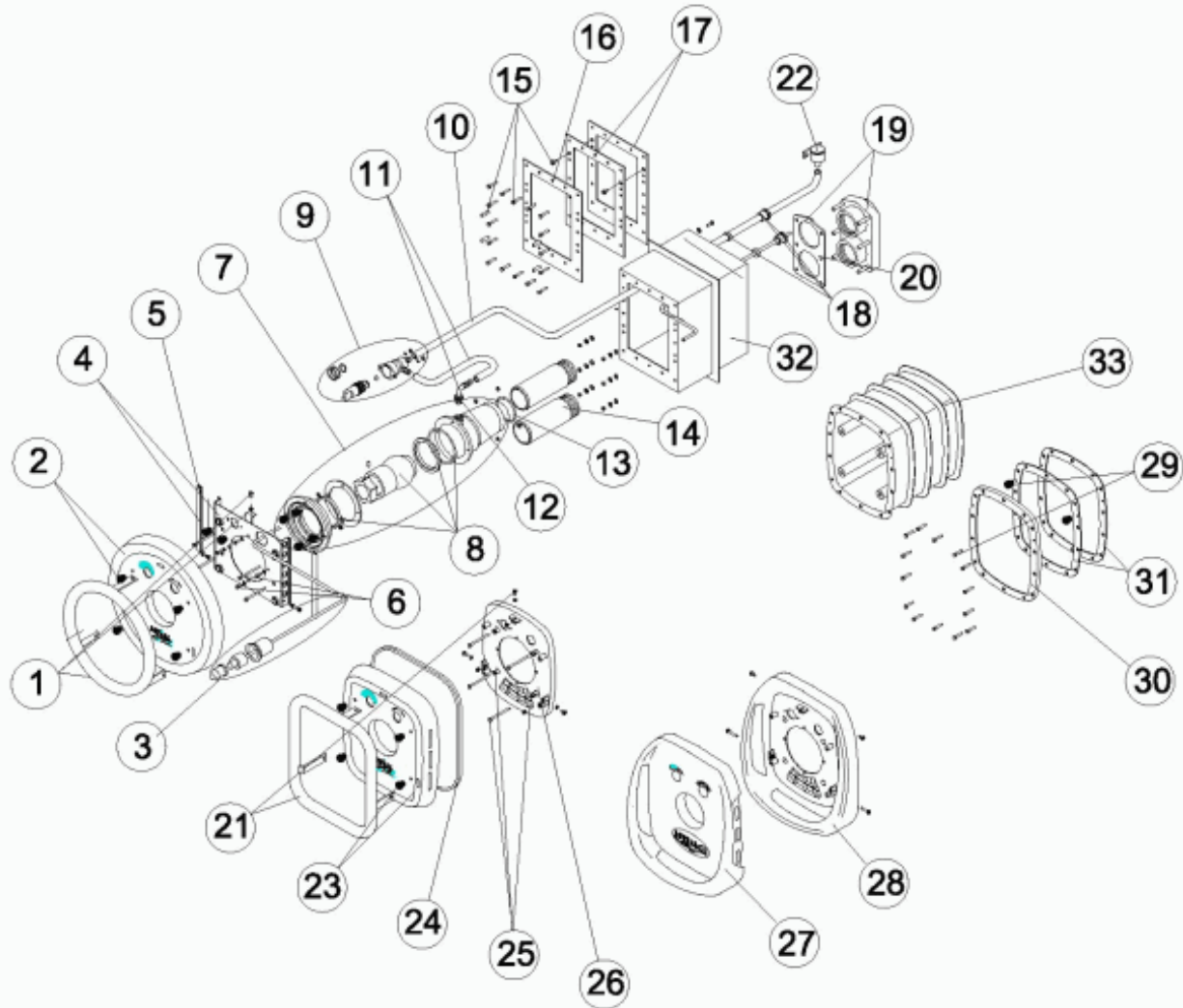
DESCRIPTION:                    **COUNTER-CURRENT SWIMMING EQUIPMENT**

**OBSERVATIONS**

POSICIÓN	PIEZA	OBSERVACIÓN

CODIGO **11013, 11014, 11015, 11016, 11499, 11500, 11501, 11508**

DESCRIPCION: **EQUIPO NATACION CONTRACORRIENTE**



**ESPAÑOL**

POS	CODIGO	DESCRIPCION	POS	CODIGO	DESCRIPCION
1	440205051	AGARRADERA REDONDA	17	4402011407	JUNTA MARCO INOX.
2	4402050101	CARATULA REDONDA	17	4402050113	JUNTA MARCO DOBLE E.C.C.
3	4402050119	PULSADOR COMPLETO	18	4402050110	PRENSAESTOPAS E.C.C.
4	4402050123	PLACA FIJACION INOX. Y PERFIL	19	4402050107	BRIDA CONEXIÓN CON JUNTA
4	4402050124	PLACA FIJACION INOX. DOBLE Y PERFIL	20	4402050108	JUNTA TAPA E.C.C.
5	4402050125	PERFIL PLACA FIJACION	21	4402050506	AGARRADERA RECTANGULAR
6	4402050133	TORNILLERIA PLACA FIJACION INOX.	21	4402050507	AGARRADERA EQUIPO DOBLE
7	4402050132	BOQUILLA COMPLETA E.C.C.	21	4402050508	AGARRADERA RECTANGULAR BLANCA
8	4402050417	C.JTO. BOQUILLA	22	4402050109	VALVULA ASPIRACION AIRE
9	4402050603	VALVULA REGULACION	23	4402050102	CARATULA INOX.
10	4401070015	CONDUCTO ASPIRACION 1,5 M.	23	4402050103	CARATULA DOBLE
11	4402050121	CONDUCTO ASPIRACION VENTURI L.300 M/M.	23	4402050104	CARATULA PLASTICO
11	4402050502	CONDUCTO ASPIRACION VENTURI L.350 M/M.	24	4402050105	PERFIL CARATULA
12	4402050415	CORDO 3/8" D.12 NYLON	25	4402050134	TORNILLERIA PLACA FIJACION PLASTICO
13	4402050503	JUNTA TORICA 63X4	26	4402050126	PLACA FIJACION PLASTICO
14	4402050118	TUBO ASPIRACION / IMPULSION	27	4402050106	CARATULA CON AGARRADERA
15	4402050115	TORNILLERIA MARCO INOX.	28	4402050127	PLACA CON AGARRADERA
16	4402050504	MARCO INOX	29	4402050114	TORNILLERIA MARCO PLASTICO
16	4402050505	MARCO INOX. DOBLE	30	4402050509	MARCO PLASTICO

**CODIGO**                    **11013, 11014, 11015, 11016, 11499, 11500, 11501, 11508**

**DESCRIPCION:**                    **EQUIPO NATACION CONTRACORRIENTE**

31	4402050111	JUNTA MARCO PLASTICO E.C.C.	32	05555R0100	CAJA ALOJAMIENTO INOX. DOBLE
32	00243R0100	CUERPO CAJA INOX	33	11502R0100	CAJA ALOJAMIENTO PLASTICO



**CODIGO**                    **11013, 11014, 11015, 11016, 11499, 11500, 11501, 11508**

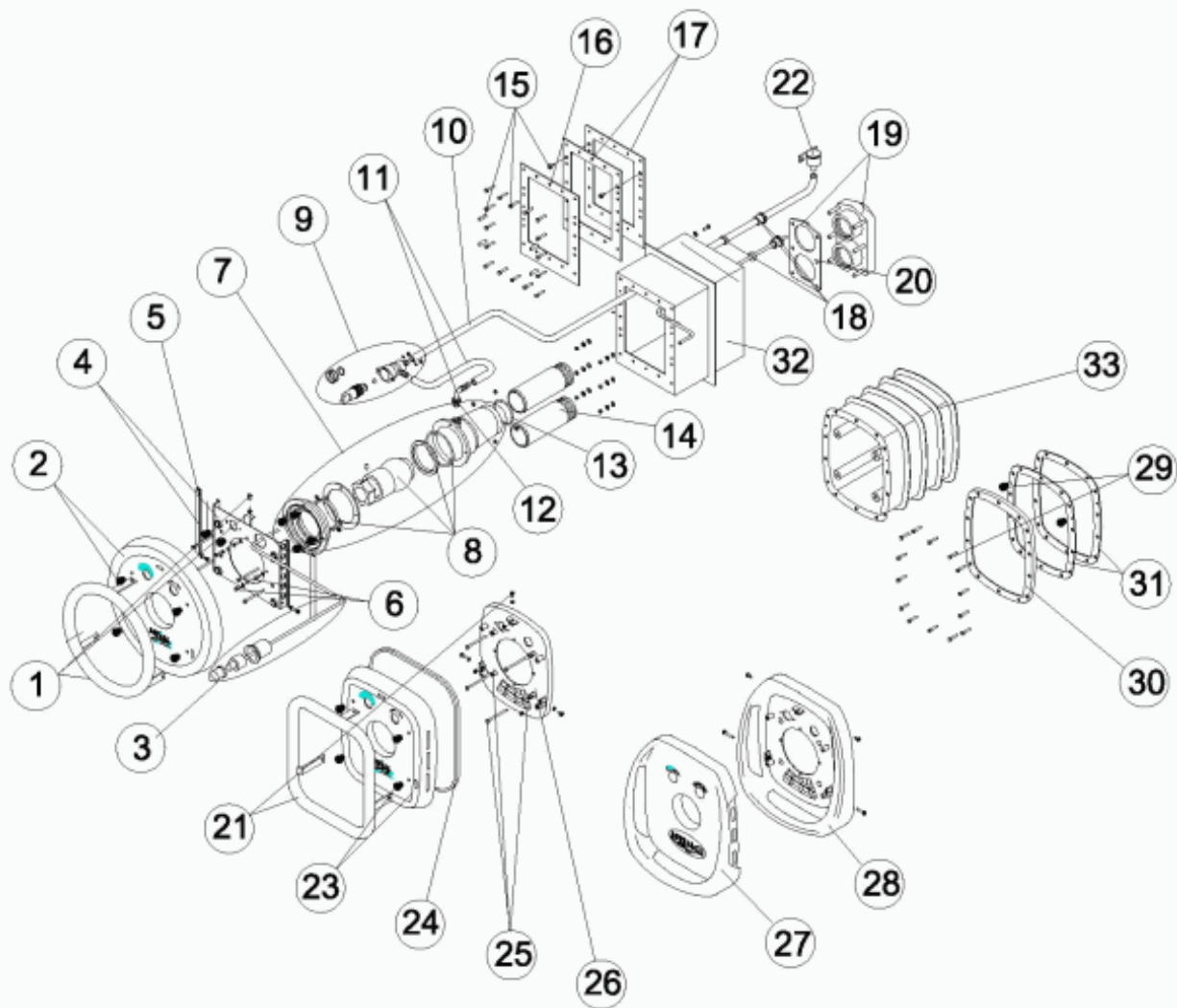
**DESCRIPCION:**                    **EQUIPO NATACION CONTRACORRIENTE**

**OBSERVACIONES**

POSICIÓN	PIEZA	OBSERVACIÓN

CODE **11013, 11014, 11015, 11016, 11499, 11500, 11501, 11508**

DESCRIPTION: **ÉQUIPEMENT NAGE CONTRE-COURANT**



**FRANCAIS**

POS	CODE	DESCRIPTION	POS	CODE	DESCRIPTION
1	440205051	POIGNEE RONDE	17	4402011407	JOINT FACADE CARREE INOX
2	4402050101	FACADE RONDE	17	4402050113	JOINT FACADE DOUBLE
3	4402050119	BOUTON POUSSOIR	18	4402050110	PRESSE ETOUPE
4	4402050123	PLAQUE DE FIXATION INOX ET PROFIL	19	4402050107	BRIDE DE CONNEXION AVEC JOINT
4	4402050124	PLAQUE DE FIXATION INOX DOUBLE ET PROFIL	20	4402050108	JOINT DE CONNEXION
5	4402050125	PROFIL PLAQUE DE FIXATION INOX	21	4402050506	POIGNEE RECTANGULAIRE
6	4402050133	VIS DE FIXATION INOX	21	4402050507	POIGNEE DOUBLE
7	4402050132	ENSEMBLE REFOULEMENT	21	4402050508	POIGNEE RECTANGULAIRE BLANCHE
8	4402050417	ENS BOUCHE	22	4402050109	VALVE ASPIRATION D'AIR
9	4402050603	BOUTON DE REGLAGE D'AIR	23	4402050102	FACADE CARREE INOX
10	4401070015	CONDUIT ASPIRATION 1,5 M.	23	4402050103	FACADE DOUBLE
11	4402050121	TUYAU D'ASPIRATION ET VENTURI L-300 M/M.	23	4402050104	FACADE CARREE ABS
11	4402050502	TUYAU D'ASPIRATION ET VENTURI L-350 M/M.	24	4402050105	PROFIL DE FACADE
12	4402050415	"COUDE 3/8" D12 NYLON"	25	4402050134	VIS DE FIXATION
13	4402050503	JOINT TORIQUE 63X4	26	4402050126	PLAQUE DE FIXATION ABS
14	4402050118	MANCHETTE ASPIRATION / REFOULEMENT	27	4402050106	FACADE CARREE ABS AVEC MAIN COURANTE
15	4402050115	VIS FACADE INOX	28	4402050127	PLAQUE AVEC POIGNEES
16	4402050504	CADRE INOX	29	4402050114	VIS FACADE ABS
16	4402050505	CADRE INOX DOUBLE	30	4402050509	CADRE PLASTIQUE

CODE **11013, 11014, 11015, 11016, 11499, 11500, 11501, 11508**

DESCRIPTION: **ÉQUIPEMENT NAGE CONTRE-COURANT**

31	4402050111	JOINT FACADE ABS	32	05555R0100	PIECE A SCELLER INOX DOUBLE
32	00243R0100	CADRE PLASTIQUE	33	11502R0100	BLOC D'ENCASTREMENT

CODE                    **11013, 11014, 11015, 11016, 11499, 11500, 11501, 11508**

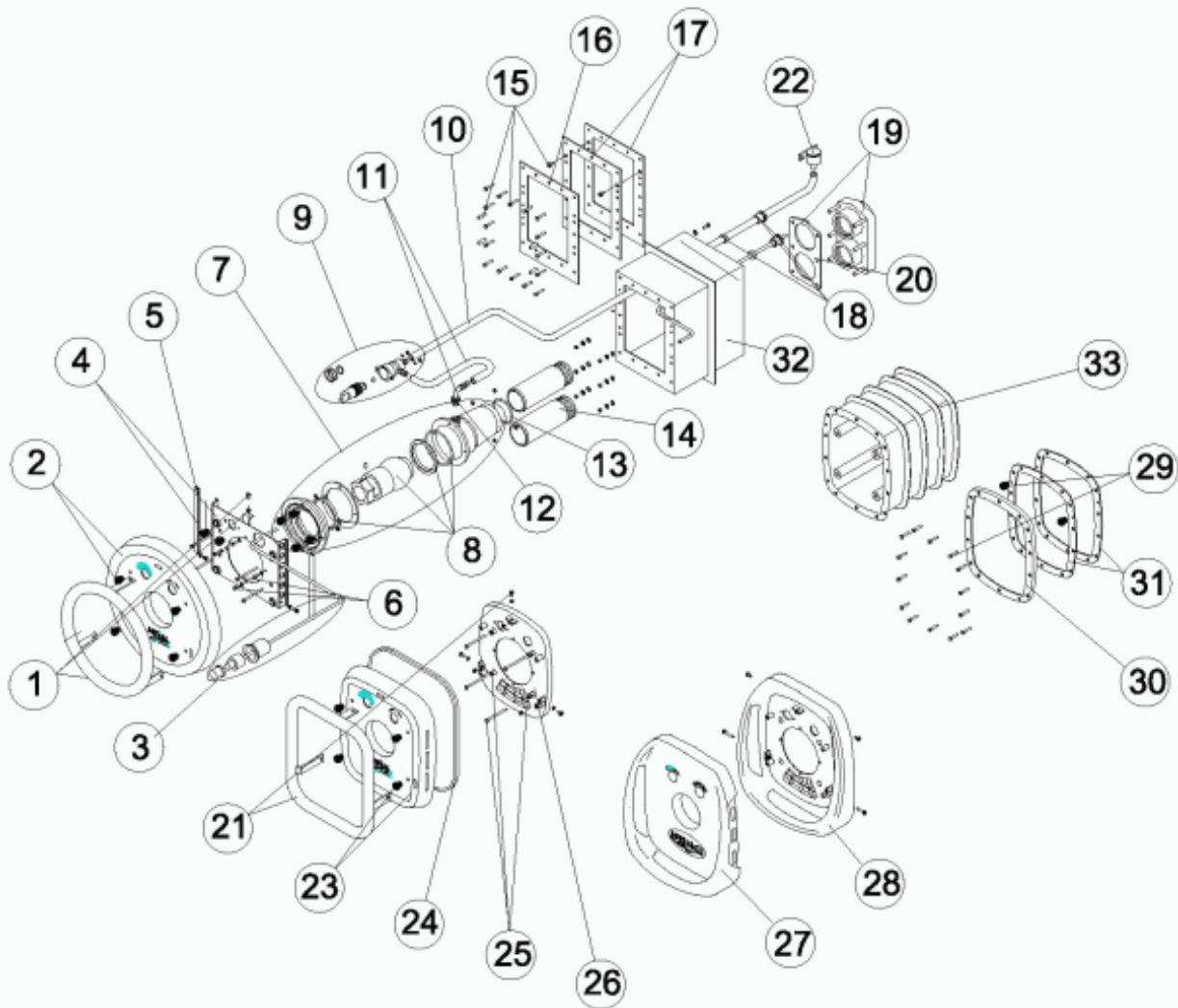
DESCRIPTION:                    **ÉQUIPEMENT NAGE CONTRE-COURANT**

**OBSERVATIONS**

POSICIÓN	PIEZA	OBSERVACIÓN

CODICE **11013, 11014, 11015, 11016, 11499, 11500, 11501, 11508**

DESCRIZIONE: **ATTREZZATURA NUOTO CONTROCORRENTE**



**ITALIANO**

POS	CODICE	DESCRIZIONE	POS	CODICE	DESCRIZIONE
1	440205051	MANIGLIONE ROTONDO	17	4402011407	GUANIZIONE PER CORNICE INOX
2	4402050101	MASCHERA ROTONDA	17	4402050113	GUANIZIONE PER CORNICE DOPPIA N.C.C.
3	4402050119	PULSANTE COMPLETO	18	4402050110	PRESSACAVO N.C.C.
4	4402050123	PIASTRA DI FISSAGGIO INOX E PROFILO	19	4402050107	FLANGIA FISSAGGIO CON GUARNIZIONE
4	4402050124	PIASTRA DI FISSAGGIO INOX DOPPIA E PROFILO	20	4402050108	GUANIZIONE PER COPERCHIO N.C.C.
5	4402050125	PROFILO PER PIASTRA DI FISSAGGIO	21	4402050506	MANIGLIONE RETTANGOLARE
6	4402050133	BULLONERIA PER PIASTRA DI FISSAGGIO INOX	21	4402050507	MANIGLIONE NCC DOPPIO
7	4402050132	BOCCHETTA COMPLETA N.C.C.	21	4402050508	MANIGLIONE RETTANGOLARE BIANCO
8	4402050417	KIT BOCCHETTA	22	4402050109	VALVOLA DI ASPIRAZIONE ARIA
9	4402050603	VALVOLA DI REGOLAZIONE N.C.C.	23	4402050102	MASCHERA INOX
10	4401070015	CONDOTTO ASPIRAZIONE 1.5 M.	23	4402050103	MASCHERA DOPPIA
11	4402050121	CONDOTTO DI ASPIRAZIONE VENTURI L-300 MM.	23	4402050104	MASCHERA IN PLASTICA
11	4402050502	CONDOTTO DI ASPIRAZIONE VENTURI L-350 MM.	24	4402050105	PROFILO MASCHERA
12	4402050415	"GOMITO 3/8" D.12 NYLON"	25	4402050134	BULLONERIA PER PIASTRA DI FISSAGGIO IN PLASTICA
13	4402050503	O-RING 63X4	26	4402050126	PIASTRA DI FISSAGGIO IN PLASTICA
14	4402050118	TUBO DI ASPIRAZIONE / MANDATA	27	4402050106	MASCHERA CON CORRIMANO
15	4402050115	BULLONERIA PER CORNICE INOX	28	4402050127	PIASTRA CON CORRIMANO
16	4402050504	CORNICE INOX	29	4402050114	BULLONERIA PER CORNICE IN PLASTICA
16	4402050505	CORNICE INOC NCC DOPPIO	30	4402050509	CORNICE DI PLASTICA

**CODICE**                    **11013, 11014, 11015, 11016, 11499, 11500, 11501, 11508**

**DESCRIZIONE:**                    **ATTREZZATURA NUOTO CONTROCORRENTE**

31	4402050111	GUARNIZIONE PER CORNICE IN PLASTICA N.C.C	32	05555R0100	NICCHIA ALLOGGIAMENTO INOX DOPPIO
32	00243R0100	CORPO NICCHIA INOX	33	11502R0100	CUSTODIA ALLOGGIAMENTO

CODICE **11013, 11014, 11015, 11016, 11499, 11500, 11501, 11508**DESCRIZIONE: **ATTREZZATURA NUOTO CONTROCORRENTE****OSSERVAZIONI**

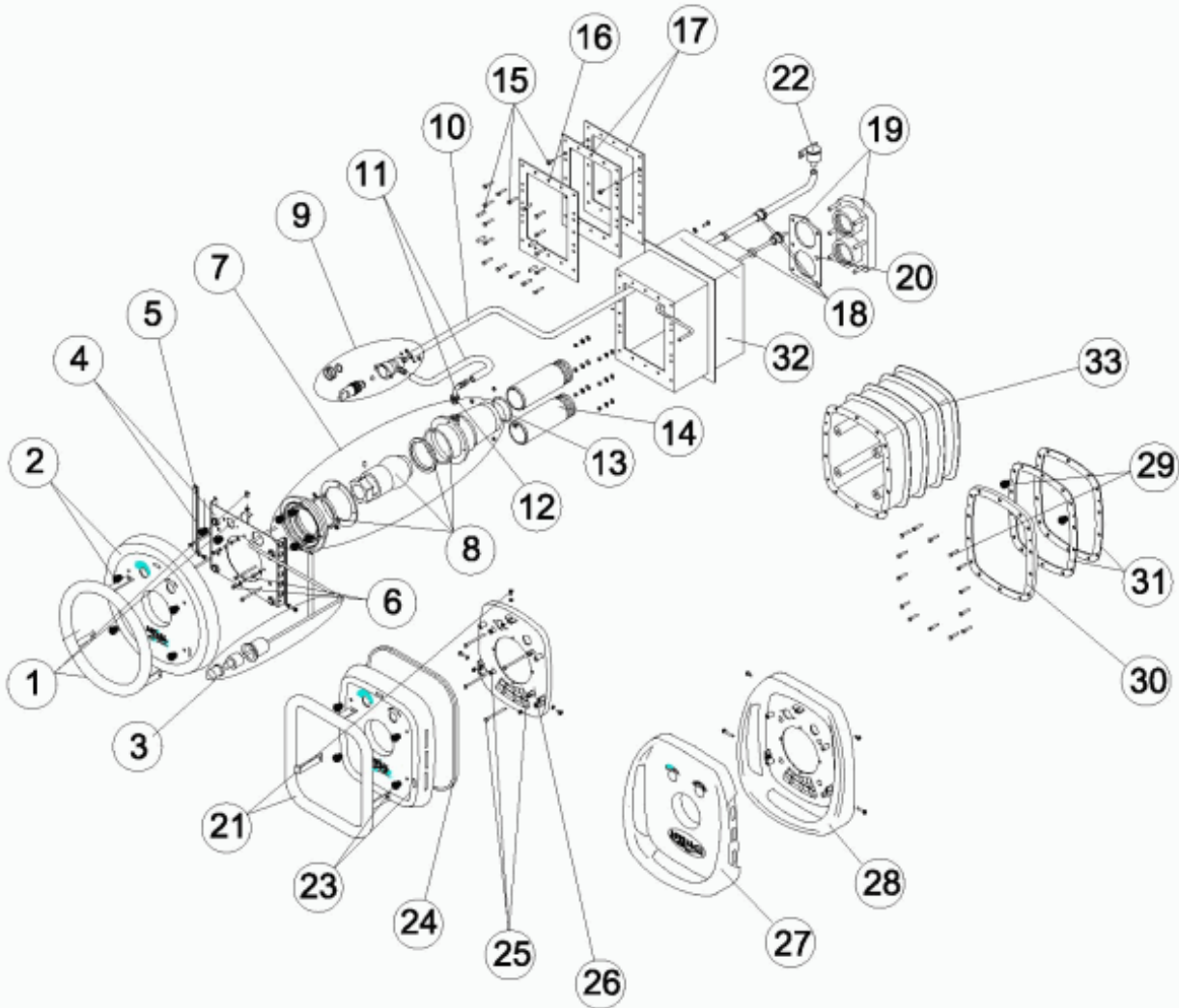
POSICIÓN	PIEZA	OBSERVACIÓN
----------	-------	-------------

---

---

**CODIGO 11013, 11014, 11015, 11016, 11499, 11500, 11501, 11508**

**DESCRIÇÃO: EQUIPAMENTO NATAÇÃO CONTRA-CORRENTE**



**PORTUGUES**

POS	CODIGO	DESCRIÇÃO	POS	CODIGO	DESCRIÇÃO
1	440205051	AGARRADEIRA REDONDA	17	4402011407	JUNTA ARO INOX.
2	4402050101	ESPELHO FRONTAL REDONDO	17	4402050113	JUNTA ARO DUPLO E.C.C.
3	4402050119	PURSÁTIL COMPLETO	18	4402050110	BUCIN
4	4402050123	PLACA FIXAÇÃO INOX E PERFIL	19	4402050107	FLANGE LIGAÇÃO COM JUNTA
4	4402050124	PLACA FIXAÇÃO INOX. DUPLO E PERFIL	20	4402050108	JUNTA TAMPA E.C.C.
5	4402050125	PERFIL PLACA FIXAÇÃO	21	4402050506	AGARRADEIRA RECTANGULAR
6	4402050133	PARAFUSOS PLACA FIXAÇÃO INOX.	21	4402050507	AGARRADEIRA DUPLA
7	4402050132	BOCA COMPLETA E.C.C.	21	4402050508	AGARRADEIRA RECTANGULAR BRANCA
8	4402050417	CONJUNTO BOCA	22	4402050109	VÁLVULA ASPIRAÇÃO AR
9	4402050603	VÁLVULA REGULAÇÃO E.C.C.	23	4402050102	ESPELHO FRONTAL INOX
10	4401070015	TUBAGEM DE ASPIRAÇÃO 1.5 M.	23	4402050103	ESPELHO FRONTAL DUPLO
11	4402050121	TUBO ASPIRAÇÃO VENTURI L-300 MM.	23	4402050104	ESPELHO PLÁSTICO
11	4402050502	TUBO ASPIRAÇÃO VENTURI L-350 MM.	24	4402050105	PERFIL ESPELHO FRONTAL
12	4402050415	"JOELHO 3/8" D.12 NYLON"	25	4402050134	PARAFUSOS PLACA FIXAÇÃO
13	4402050503	JUNTA TÓRICA 63X4	26	4402050126	PLACA FIXAÇÃO PLÁSTICO
14	4402050118	TUBO ASPIRAÇÃO / IMPULSÃO	27	4402050106	ESPELHO FRONTAL COM AGARRADEIRA
15	4402050115	PARAFUSOS ARO INOX	28	4402050127	PLACA COM AGARRADEIRA
16	4402050504	ARO INOX	29	4402050114	PARAFUSOS ARO PLÁSTICO
16	4402050505	ARO INOX DUPLO	30	4402050509	ARO PLÁSTICO



CODIGO **11013, 11014, 11015, 11016, 11499, 11500, 11501, 11508**DESCRIÇÃO: **EQUIPAMENTO NATAÇÃO CONTRA-CORRENTE**

31	4402050111	JUNTAARO PLÁSTICO E.C.C	32	05555R0100	CAIXA ALOJAMENTO INOX DUPLA
32	00243R0100	CORPO CAIXA EM INOX	33	11502R0100	CAIXA DE ALOJAMENTO

CODIGO **11013, 11014, 11015, 11016, 11499, 11500, 11501, 11508**DESCRIÇÃO: **EQUIPAMENTO NATAÇÃO CONTRA-CORRENTE****OBSERVAÇÕES**

POSICIÓN PIEZA

OBSERVACIÓN

---

---