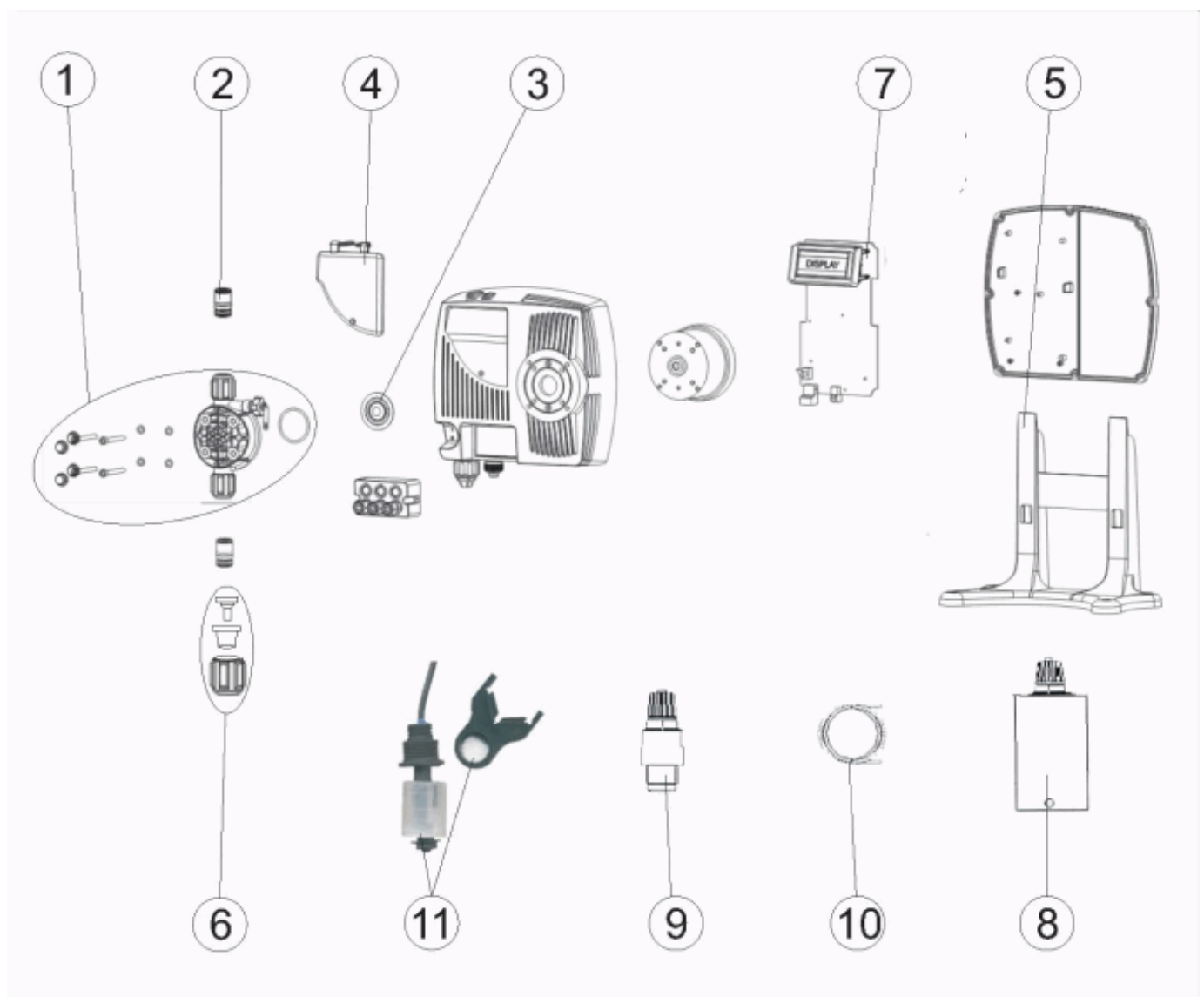


CODE **36010, 36011, 36012**

BESCHREIBUNG: **PUMPE OPTIMA DIGITAL PROPORTIONAL VOLUMETRISCH**

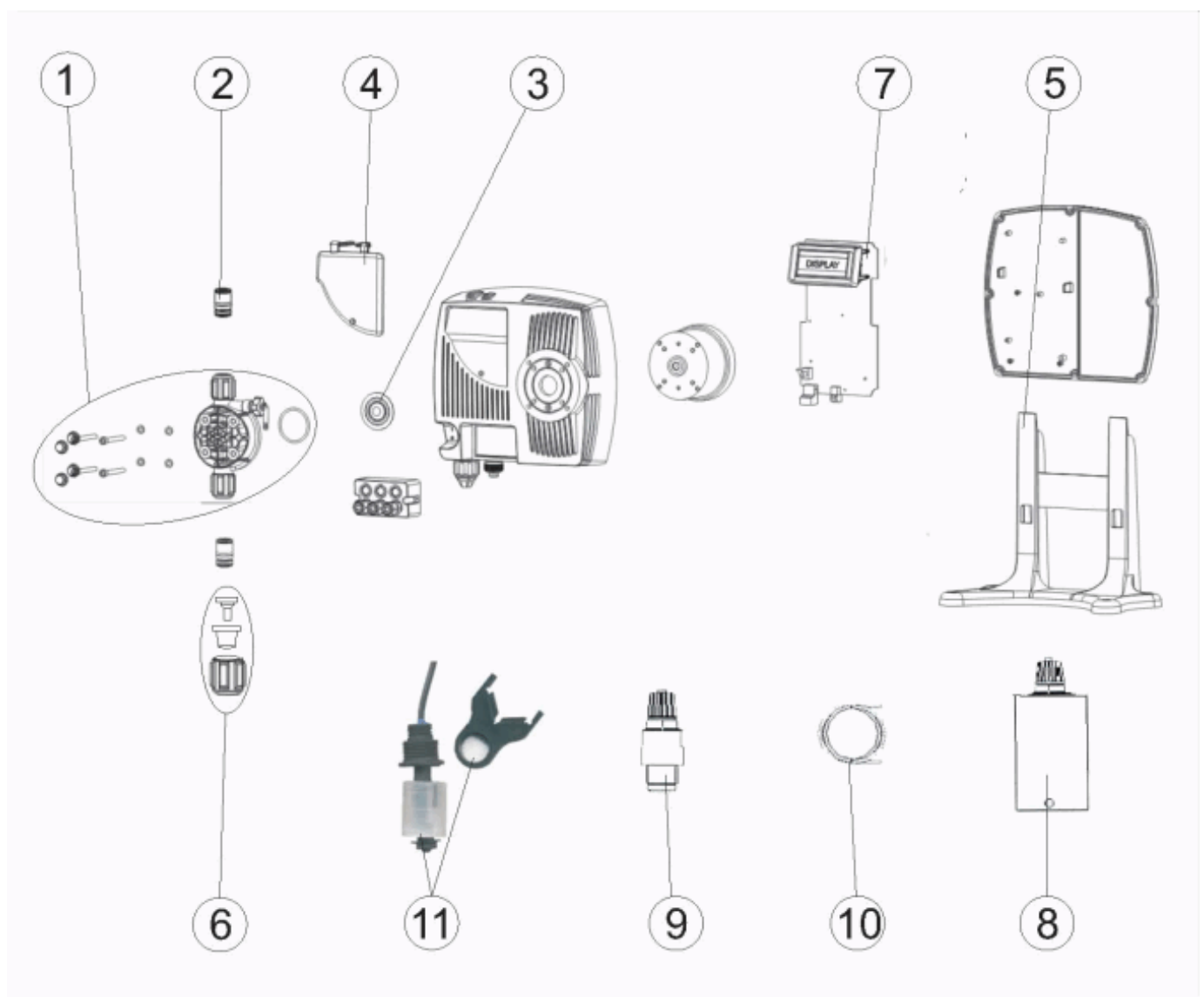


**DEUTSCHE**

POS	CODE	BESCHREIBUNG	POS	CODE	BESCHREIBUNG
1	36007R0001	KOPFSTÜCK PVC. FPM. KUGELN PIREX 5-10 L/H.	7	36011R0012	DIGITALER SCHALTKREIS 10 L/H.
1	36009R0001	KOPFSTÜCK PVC. FPM. KUGELN PIREX 20 L/H.	7	36012R0012	DIGITALER SCHALTKREIS 20 L/H.
2	36007R0007	VENTIL PVC. FPM. SC. 5-10 L/H.	8	36007R0016	FILTER MIT PVC-SOCKEL
2	36009R0007	VENTIL PVC. FPM. SC. 20 L/H.	8	36007R0019	FILTER MIT PVC-SOCKEL 20 L/H.
3	36007R0009	MEMBRAN 5-10 L/H	9	36007R0013	EINSPRITZKOPPELUNG PVC
3	36009R0009	MEMBRAN 20 L/H	9	36009R0010	EINSPRITZKOPPELUNG PVC 20 L/H
4	36007R0010	DECKEL	10	27883R0007	ANSAUG-ROHR PVC 4X6 LÄNGE 100M
4	36010R0022	COVER MIT CIRCUIT	10	36009R0013	ANSAUGROHR PVC. 8X12 LÄNGE 100 METER
5	36830	SOCKEL HALTERUNG	10	27883R0008	ANTRIEBSROHR PE 4X6 LÄNGE 100M
6	36007R0021	VERBINDUNGSSTÜCK-SET FÜR ROHR 4X6 M/M	10	36009R0014	ANTRIEBSROHR PVC. 8X12 LÄNGE 100 METER
6	36007R0020	VERBINDUNGSSTÜCK-SET FÜR ROHR 8X12 M/M	11	36002R0100	NIVEAUSONDE ZWEIPOLIG MIT FIXIERER
7	36010R0012	DIGITALER SCHALTKREIS 5 L/H.			

CODE **36010, 36011, 36012**

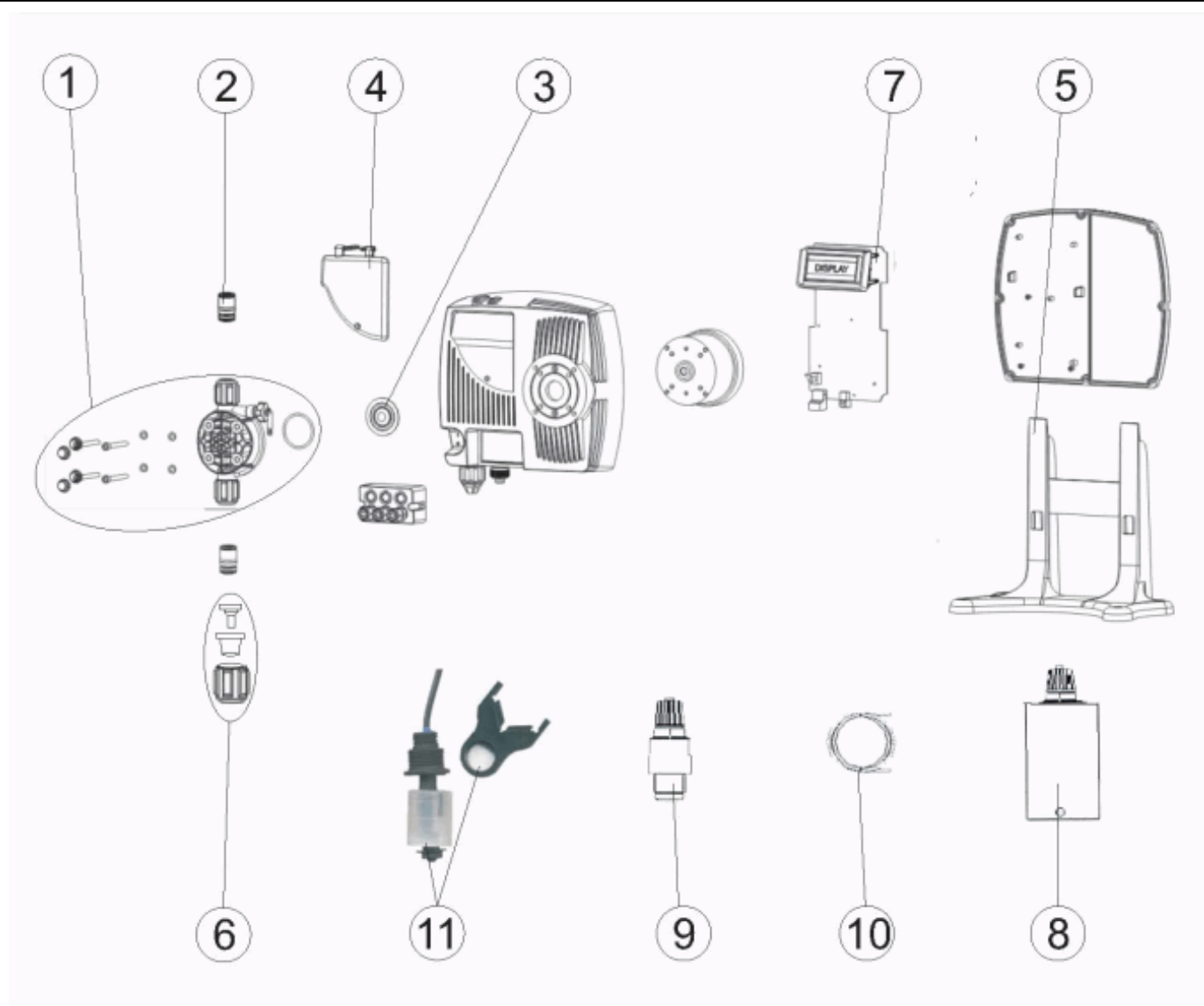
DESCRIPTION: **OPTIMA DIGITAL PROPORTIONAL VOLUMETRIC PUMP**



**ENGLISH**

POS	CODE	DESCRIPTION	POS	CODE	DESCRIPTION
1	36007R0001	5-10 L/H PYREX BALLS. PVC HEAD. FPM.	7	36011R0012	10 L/H DIGITAL CIRCUIT
1	36009R0001	20 L/H PYREX BALLS. PVC HEAD. FPM.	7	36012R0012	20 L/H DIGITAL CIRCUIT
2	36007R0007	5-10 L/H PVC VALVE. FPM. SC.	8	36007R0016	PVC/FPM BOTTOM FILTER
2	36009R0007	20 L/H PVC VALVE. FPM. SC.	8	36007R0019	PVC/FPM BOTTOM FILTER 20 L/H.
3	36007R0009	5-10 L/H MEMBRANE	9	36007R0013	INJECTION COUPLING IN PVC CERAMIC
3	36009R0009	20 L/H MEMBRANE	9	36009R0010	INJECTION COUPLING IN PVC CERAMIC 20L/H
4	36007R0010	COVER	10	27883R0007	4X6 LENG.100M PVC SUCTION PIPE
4	36010R0022	COVER WITH CIRCUIT	10	36009R0013	100 METRES 8X12 LENGTH PVC SUCTION PIPE
5	36830	SUPPORT FOOT	10	27883R0008	4X6 LENG.100M PE RETURN PIPE
6	36007R0021	COUPLING SET FOR 4X6 M/M TUBING	10	36009R0014	100 METRES 8X12 LENGTH PVC RETURN PIPE
6	36007R0020	COUPLING SET FOR 8X12 M/M TUBING	11	36002R0100	2-POLE LEVEL PROBE WITH FIXING
7	36010R0012	5 L/H DIGITAL CIRCUIT			

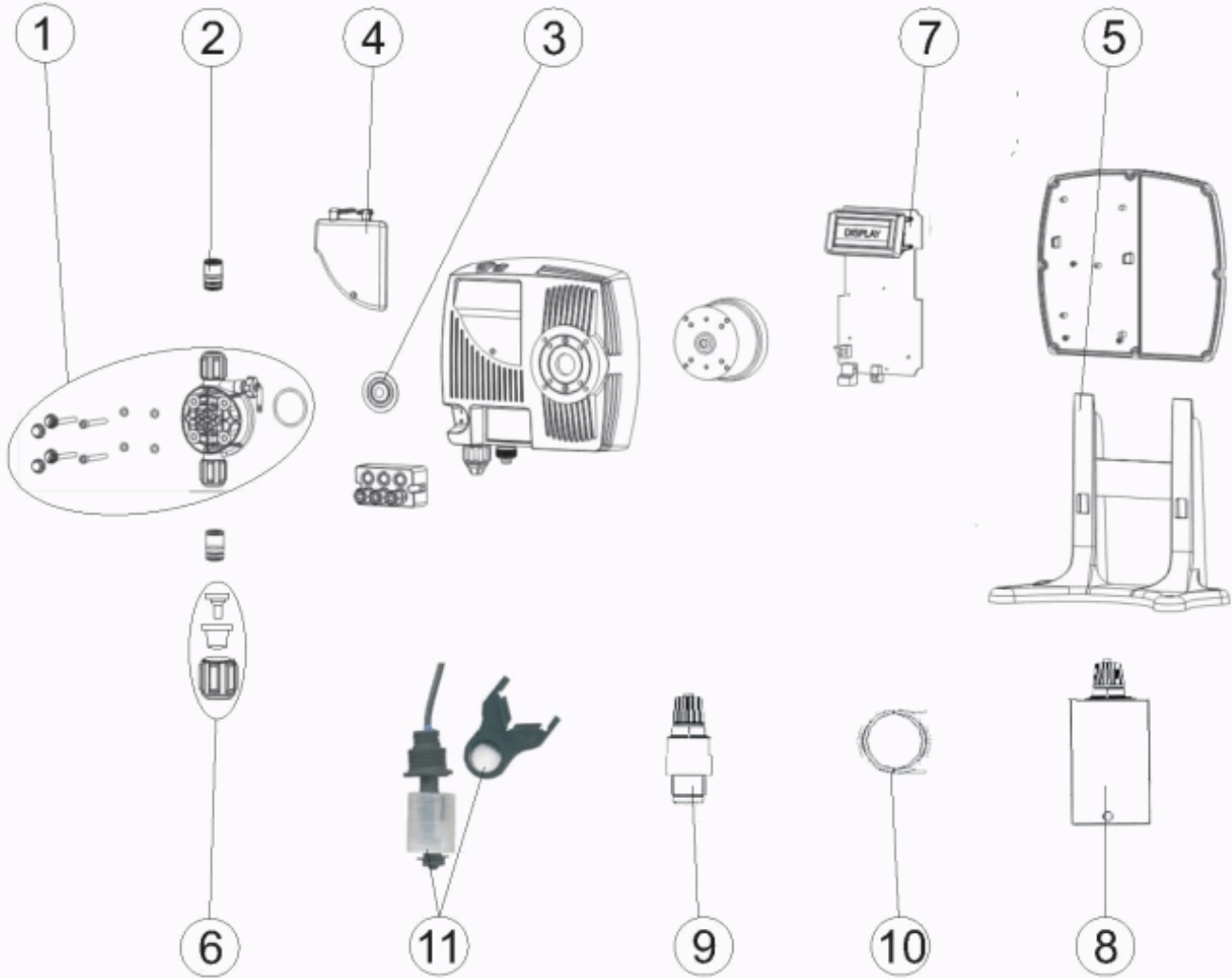
CODIGO **36010, 36011, 36012**

 DESCRIPCION: **BOMBA OPTIMA DIGITAL PROPORCIONAL VOLUMETRICA**

**ESPAÑOL**

POS	CODIGO	DESCRIPCION	POS	CODIGO	DESCRIPCION
1	36007R0001	CABEZAL PVC. FPM. BOLAS CERAMICA 5-10 L/H.	7	36011R0012	CIRCUITO DIGITAL 10 L/H.
1	36009R0001	CABEZAL PVC. FPM. BOLAS CERAMICA 20 L/H.	7	36012R0012	CIRCUITO DIGITAL 20 L/H.
2	36007R0007	VALVULA PVC. FPM. SC. 5-10 L/H.	8	36007R0016	FILTRO DE PIE PVC/FPM
2	36009R0007	VALVULA PVC. FPM. SC. 20 L/H.	8	36007R0019	FILTRO DE PIE PVC/FPM 20 L/H
3	36007R0009	MEMBRANA 5-10 L/H.	9	36007R0013	RACORD DE INYECCION EN PVC CERAMICA
3	36009R0009	MEMBRANA 20 L/H.	9	36009R0010	RACORD DE INYECCION EN PVC CERAMICA 20 L/H.
4	36007R0010	TAPA	10	27883R0007	TUBO ASP. PVC 4X6 LONG. 100M
4	36010R0022	TAPA CON CIRCUITO	10	36009R0013	TUBO ASPIRACION PVC. 8X12 LONGITUD 100 METROS
5	36830	PIE SOPORTE	10	27883R0008	TUBO IMP. PE 4X6 LONG. 100M
6	36007R0021	JUEGO DE RACCOR PARA TUBO 4X6 M/M.	10	36009R0014	TUBO IMPULSION PVC. 8X12 LONGITUD 100 METROS
6	36007R0020	JUEGO DE RACCOR PARA TUBO 8X12 M/M.	11	36002R0100	SONDA NIVEL BIPOLAR CON FIJADOR
7	36010R0012	CIRCUITO DIGITAL 5 L/H.			

CODE **36010, 36011, 36012**

DESCRIPTION: **POMPE OPTIMA NUMÉRIQUE PROPORTIONNELLE VOLUMÉTRIQUE**

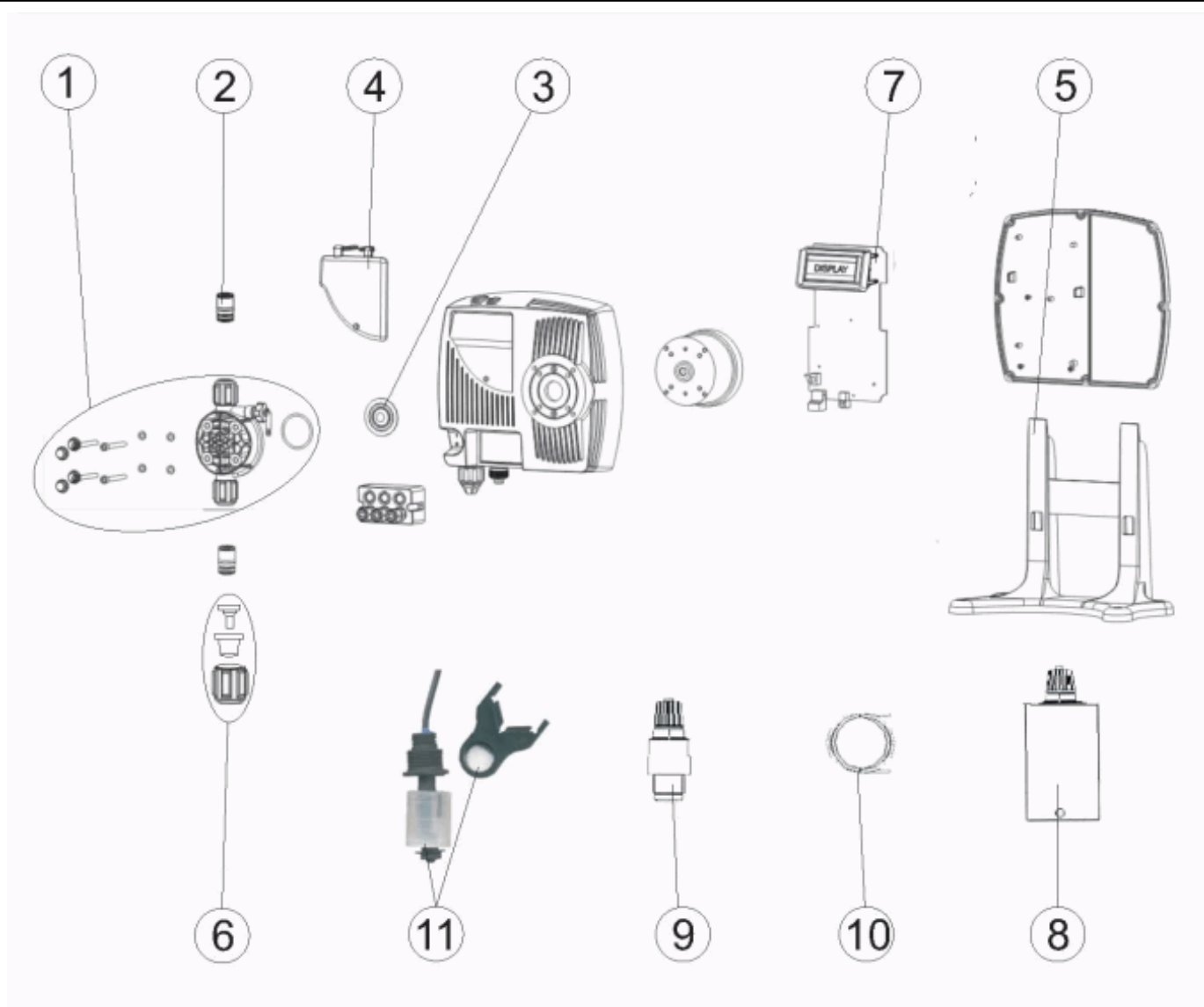


**FRANCAIS**

POS	CODE	DESCRIPTION	POS	CODE	DESCRIPTION
1	36007R0001	TÊTE PVC. FPM. BILLES PIREX 5-10 L/H.	7	36011R0012	CIRCUIT DIGITAL 10 L/H
1	36009R0001	TETE PVC FPM BOISSEaux PIREX 20L/H	7	36012R0012	CIRCUIT DIGITAL 20 L/H
2	36007R0007	VANNE PVC FPM SC 5-10L/H	8	36007R0016	FILTRE PIED PVC/FPM
2	36009R0007	VANNE PVC FPM SC 20L/H	8	36007R0019	FILTRE PIED PVC/FPM 20 L/H
3	36007R0009	MEMBRANE 5-10 L/H	9	36007R0013	RACCORD INJECTION PVC CERAMIC
3	36009R0009	MEMBRANE 20 L/H	9	36009R0010	RACCORD INJECTION PVC CERAMIC 20 L/H.
4	36007R0010	COUVERCLE	10	27883R0007	TUBE ASP. PVC 4X6 L100M
4	36010R0022	COUVERCLE DE CIRCUIT	10	36009R0013	TUYAU D'ASPIRATION PVC. 8X12 LONGUEUR 100 MÈTRES
5	36830	PIED SUPPORT	10	27883R0008	TUBE IMP. PE 4X6 L100M
6	36007R0021	JEU DE RACCORD POUR TUYAU 4X6 M/M	10	36009R0014	TUYAU D'IMPULSION PVC. 8X12 LONGUEUR 100 MÈTRES
6	36007R0020	JEU DE RACCORD POUR TUYAU 8X12 M/M	11	36002R0100	SONDE NIVEAU BIPOLAIRE AVEC FIXATEUR
7	36010R0012	CIRCUIT DIGITAL 5 L/H			

CODICE **36010, 36011, 36012**

DESCRIZIONE: **POMPA OPTIMA DIGITALE PROPORZIONALE VOLUMETRICA**

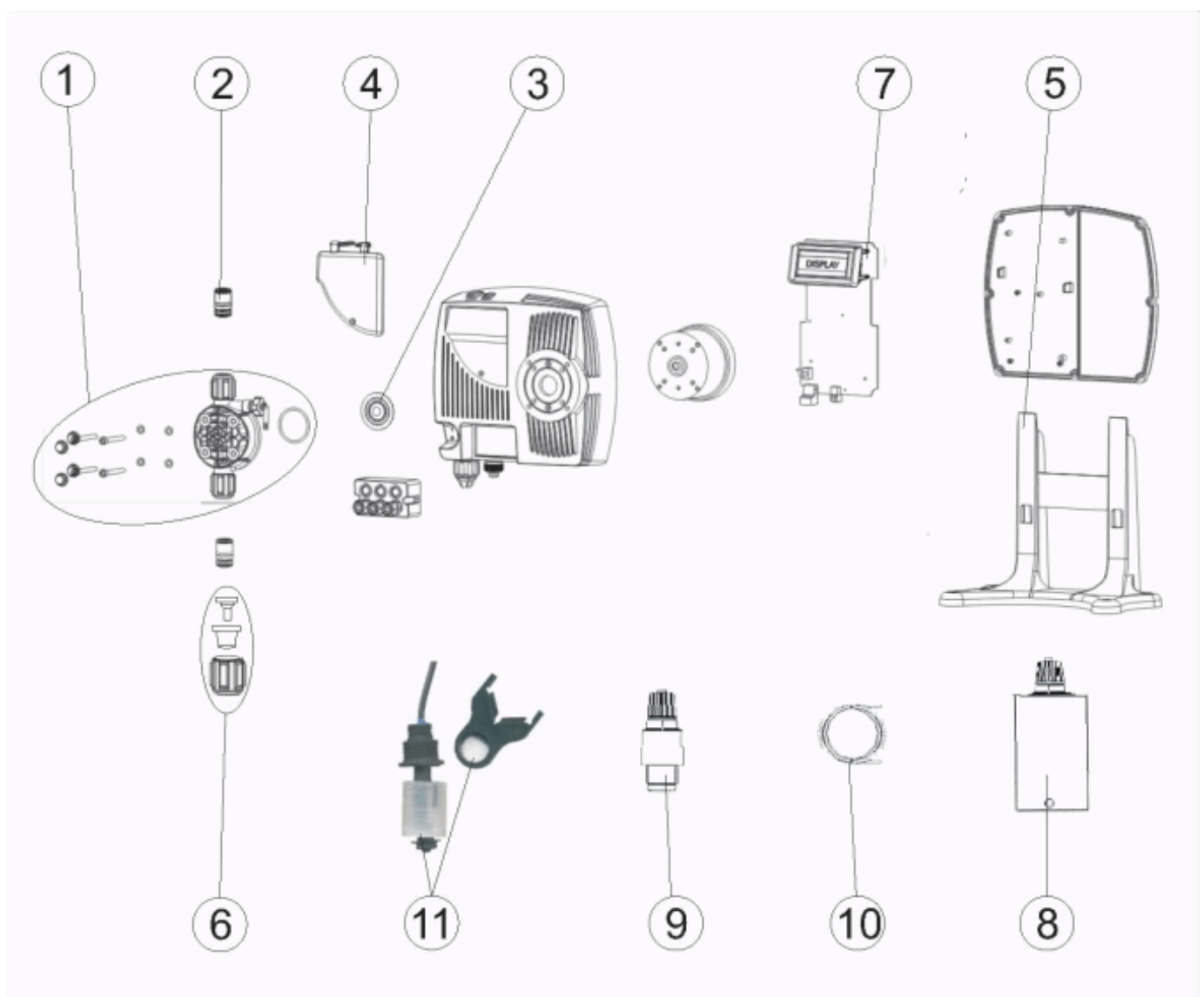


**ITALIANO**

POS	CODICE	DESCRIZIONE	POS	CODICE	DESCRIZIONE
1	36007R0001	TESTINA PVC. FPM. SFERE PIREX 5-10 L/H.	7	36011R0012	CIRCUITO DIGITALE 10 L/H.
1	36009R0001	TESTINA PVC. FPM. SFERE PIREX 20 L/H.	7	36012R0012	CIRCUITO DIGITALE 20 L/H.
2	36007R0007	VALVOLA PVC. FPM. SP. 5-10 L/H.	8	36007R0016	FILTRO ASPIRAZIONE PVC/FPM
2	36009R0007	VALVOLA PVC. FPM. SC. 20 L/H.	8	36007R0019	FILTRO ASPIRAZIONE PVC/FPM 20 L/H
3	36007R0009	MEMBRANA 5-10 L/H.	9	36007R0013	RACCORDO DI INIEZIONE IN PVC CERMIC
3	36009R0009	MEMBRANA 20 L/H.	9	36009R0010	RACCORDO DI INIEZIONE IN PVC CERMIC 20 L/H.
4	36007R0010	COPERCHIO	10	27883R0007	TUBO ASPIRAZIONE PVC 4X6 L 100M
4	36010R0022	COPERCHIO CON IL CIRCUITO	10	36009R0013	TUBO ASPIRAZIONE PVC. 8X12 LUNGHEZZA 100 METRI
5	36830	PIEDE SUPPORTO	10	27883R0008	TUBO MANDATA PE 4X6 L 100M
6	36007R0021	SERIE DI RACCORDI PER TUBO 4x6 M/M	10	36009R0014	TUBO IMPULSIONE PVC. 8X12 LUNGHEZZA 100 METRI
6	36007R0020	SERIE DI RACCORDI PER TUBO 8x12 M/M	11	36002R0100	SONDA LIVELLO BIPOLARE CON FISSANTE
7	36010R0012	CIRCUITO DIGITALE 5 L/H.			

**CODIGO 36010, 36011, 36012**

**DESCRIÇÃO: BOMBA OPTIMA DIGITAL PROPORCIONAL VOLUMÉTRICA**



**PORTUGUES**

POS	CODIGO	DESCRIÇÃO	POS	CODIGO	DESCRIÇÃO
1	36007R0001	CABEÇAL PVC. FPM. BOLAS PIREX 5-10 L/H.	7	36011R0012	CIRCUITO DIGITAL 10 L/H.
1	36009R0001	CABEÇAL PVC. FPM BOLAS PIREX 20 L/H.	7	36012R0012	CIRCUITO DIGITAL 20 L/H.
2	36007R0007	VALVULA PVC. FPM. SC. 5-10 L/H.	8	36007R0016	FILTRO DE PE PVC/FPM
2	36009R0007	VALVULA PVC. FPM. SC. 20 L/H.	8	36007R0019	FILTRO DE PE PVC/FPM 20 L/H
3	36007R0009	MEMBRANA 5-10 L/H.	9	36007R0013	LIGAÇÃO DE INJEÇÃO EM PVC CERAMIC
3	36009R0009	MEMBRANA 20 L/H.	9	36009R0010	LIGAÇÃO DE INJEÇÃO EM PVC CERAMIC 20 L/H.
4	36007R0010	TAMPA	10	27883R0007	TUBO ASP.PVC 4X6 COMP.100 M
4	36010R0022	TAMPA COM CIRCUITO	10	36009R0013	TUBO ASPIRAÇÃO PVC 8X12 COMPRIMENTO 100 METROS
5	36830	SUPORTE DA BASE	10	27883R0008	TUBO IMP. PE 4X6 COMP.100 M
6	36007R0021	CONJUNTO DE RACORES PARA TUBO 4X6 M/M	10	36009R0014	TUBO IMPULSÃO PVC 8X12 COMPRIMENTO 100 METROS
6	36007R0020	CONJUNTO DE RACORES PARA TUBO 8X12 M/M	11	36002R0100	SONDA NIVEL BIPOLAR COM FIXADOR
7	36010R0012	CIRCUITO DIGITAL 5 L/H.			