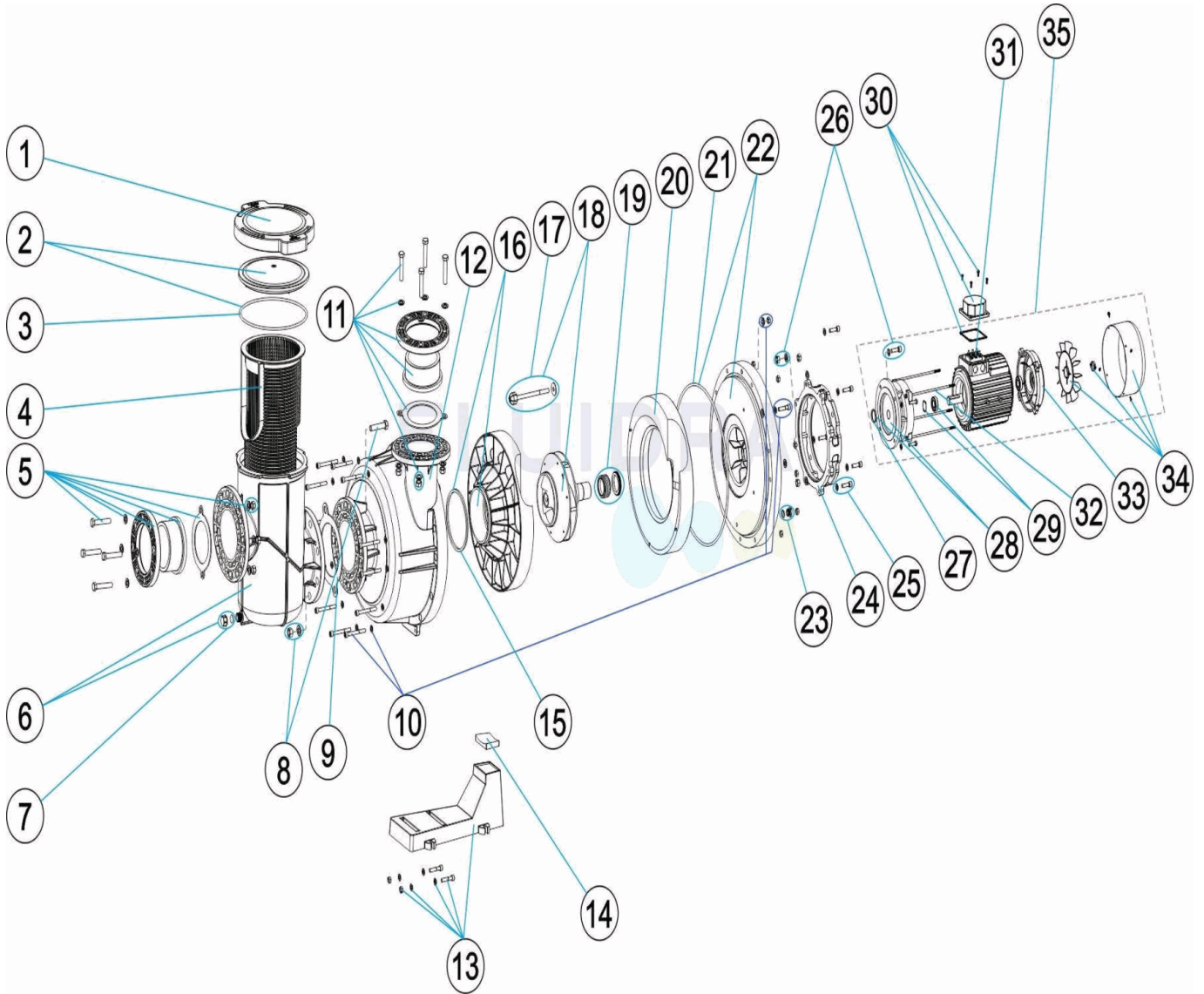


CODIGO 56633, 56634, 56635, 56637, 56638, 56639

DESCRIPCION: BOMBA KIVU 7,5-10-15 CV



ESPAÑOL

POS	CODIGO	DESCRIPCION	POS	CODIGO	DESCRIPCION
1	4405010278	TUERCA PREFILTRO 25 L.	14	* 4405010290	SILENTBLOCK 15 HP.
2	4405010279	TAPA PREFILTRO 25 L. + JUNTA	15	4405010289	JUNTA PLANA 186X170X6
3	4405010280	JUNTA TORICA TAPA PREFILTRO	16	* 4405010291	VOLUTA IZQUIERDA 7,5 HP. + JUNTA
4	4405010281	CESTO PREFILTRO 25 L.	16	* 4405010292	VOLUTA IZQUIERDA 10 HP. + JUNTA
5	4405010683	ACCESORIOS ENLACE D-160	16	* 4405010293	VOLUTA IZQUIERDA 15 HP. + JUNTA
6	4405010282	CUERPO PREFITRO 25 L.	17	* 4405010297	TAPON RODETE 7,5-10 HP.
7	4405010283	CJTO. TAPÓN PURGA 3/4" BS "	17	* 4405010298	TAPON RODETE 15 HP.
8	4405010286	CJTO. TORNILLOS UNION PREFILTRO	18	* 4405010294	RODETE 7,5 HP
9	4405010284	JUNTA PLANA PP D160	18	* 4405010690	RODETE 7,5 HP 60 HZ
10	4405010287	CJTO. TORNILLOS UNION CUERPO	18	* 4405010295	RODETE 10 HP
11	4405010682	ACCESORIOS ENLACE D-140	18	* 4405010691	RODETE 10 HP 60 HZ
12	4405010285	CUERPO BOMBA	18	* 4405010296	RODETE 15 HP
13	4405010288	PIE BOMBA	18	* 4405010692	RODETE 15 HP 60 HZ

* -> VER HOJA DE OBSERVACIONES

CODIGO **56633, 56634, 56635, 56637, 56638, 56639**

DESCRIPCION: **BOMBA KIVU 7,5-10-15 CV**

14	* 4405010366	SILENTBLOCK 7,5 A 10 HP.	19	4405010299	JUNTA MECANICA
20	* 4405010300	VOLUTA DERECHA 7,5 HP.	31	* 4405010686	REGLETA DE CONEXIÓN T.132
20	* 4405010329	VOLUTA DERECHA 10 HP.	31	* 4405010685	REGLETA DE CONEXIÓN T.160
20	* 4405010336	VOLUTA DERECHA 15 HP.	31	* 4405010684	REGLETA DE CONEXIÓN T.132
21	4405010365	JUNTA TORICA TAPA PREFILTRO	31	* 4405010687	REGLETA DE CONEXIÓN T.160
22	4405010385	BRIDA CIERRE MECANICO + JUNTA	32	* 4405010400	VARILLA NEGRA 7,5 HP
23	4401043406	TAPON 1/2"	32	* 4405010407	VARILLA NEGRA 10 HP
24	4405010386	BRIDA MOTOR PINTADA	32	* 4405010420	VARILLA NEGRA 15 HP
25	4405010398	TORNILLOS FIJACION BRIDA	32	* 4405010688	TORNILLOS FIJACION T.132
26	4405010399	TORNILLOS BRIDA MOTOR	32	* 4405010689	TORNILLOS FIJACION T.160
27	* 4405010387	JUNTA ROMPEAGUAS VA-40, 7,5-10 HP	33	* 4405010394	TAPA TRASERA NEGRA 7,5-10 HP
27	* 4405020544	JUNTA V-RING	33	* 4405010395	TAPA TRASERA NEGRA 15 HP
27	* 4405010474	JUNTA ROMPEAGUAS VA-40, 7,5-10 HP	33	* 4405010481	TAPA TRASERA NEGRA 7,5-10 HP
27	* 4405010475	JUNTA ROMPEAGUAS VA-45, 15 HP	33	* 4405010482	TAPA TRASERA NEGRA 15 HP
28	* 4405010388	BRIDA MOTOR DELANTERA NEGRA 7,5-10 HP	34	* 4405010396	CJTO. TAPA VENTILADOR 7,5-10 HP
28	* 4405010389	BRIDA MOTOR DELANTERA NEGRA 15 HP	34	* 4405010397	CJTO. TAPA VENTILADOR 15 HP
28	* 4405010476	BRIDA MOTOR DELANTERA NEGRA 7,5 HP	34	* 4405010483	CJTO. TAPA VENTILADOR 7,5-10 HP
28	* 4405010477	BRIDA MOTOR DELANTERA NEGRA 10 HP	34	* 4405010484	CJTO. TAPA VENTILADOR 15 HP
28	* 4405010478	BRIDA MOTOR DELANTERA NEGRA 15 HP	35	* 56633R0475	MOTOR 7,5 HP 230/400V
29	* 4405010390	RODAMIENTO 6308-2 RSR,C3M 7,5-10 HP	35	* 56634R0475	MOTOR 7,5 CV. 400/690V.
29	* 4405010391	RODAMIENTOS 6309RSR C3, 15 HP	35	* 56635R0475	MOTOR 10 CV. 230/400V
30	* 4405010392	TAPA CONEXIONES NEGRA 7,5-10 HP	35	* 56637R0475	MOTOR 10 CV. 400/690V.
30	* 4405010393	TAPA CONEXIONES NEGRA 15 HP	35	* 56638R0475	MOTOR 15 CV. 230/400V.
30	* 4405010479	TAPA CONEXIONES NEGRA 7,5-10 HP	35	* 56639R0475	MOTOR 15 CV. 400/690V.
30	* 4405010480	TAPA CONEXIONES NEGRA 15 HP			

CODIGO 56633, 56634, 56635, 56637, 56638, 56639

DESCRIPCION: BOMBA KIVU 7,5-10-15 CV

OBSERVACIONES

POS	CODIGO	OBSERVACIONES
14	4405010366	PARA: 56633, 56634, 56635, 56637
14	4405010290	PARA: 56638, 56639
16	4405010291	PARA: 56633, 56634
16	4405010292	PARA: 56635, 56637
16	4405010293	PARA: 56638, 56639
17	4405010297	PARA: 56633, 56634, 56635, 56637
17	4405010298	PARA: 56638, 56639
18	4405010294	PARA: 56633, 56634 50 HZ
18	4405010690	PARA: 56633, 56634 60 HZ
18	4405010295	PARA: 56635, 56637 50 HZ
18	4405010691	PARA: 56635, 56637 60 HZ
18	4405010296	PARA: 56638, 56639 50 HZ
18	4405010692	PARA: 56638, 56639 60 HZ
20	4405010300	PARA: 56633, 56634
20	4405010329	PARA: 56635, 56637
20	4405010336	PARA: 56638, 56639
27	4405010387	PARA: 56633, 56634, 56635, 56637 MOTOR BONORA/CODE
27	4405020544	PARA: 56638, 56639 MOTOR BONORA/CODE
27	4405010474	PARA: 56633, 56634, 56635, 56637 MOTOR ASTRAL
27	4405010475	PARA: 56638, 56639 MOTOR ASTRAL
28	4405010388	PARA: 56633, 56634, 56635, 56637 MOTOR BONORA/CODE
28	4405010389	PARA: 56638, 56639 MOTOR BONORA/CODE
28	4405010476	PARA: 56633, 56634 MOTOR ASTRAL
28	4405010477	PARA: 56635, 56637 MOTOR ASTRAL
28	4405010478	PARA: 56638, 56639 MOTOR ASTRAL
29	4405010390	PARA: 56633, 56634, 56635, 56637
29	4405010391	PARA: 56638, 56639
30	4405010392	PARA: 56633, 56634, 56635, 56637 MOTOR BONORA/CODE
30	4405010393	PARA: 56638, 56639 MOTOR BONORA/CODE
30	4405010479	PARA: 56633, 56634, 56635, 56637 MOTOR ASTRAL
30	4405010480	PARA: 56638, 56639 MOTOR ASTRAL
31	4405010686	PARA: 56633, 56634, 56635, 56637 MOTOR BONORA/CODE
31	4405010685	PARA: 56638, 56639 MOTOR BONORA/CODE
31	4405010684	PARA: 56633, 56634, 56635, 56637 MOTOR ASTRAL
31	4405010687	PARA: 56638, 56639 MOTOR ASTRAL
32	4405010400	PARA: 56633, 56634 MOTOR BONORA/CODE
32	4405010407	PARA: 56635, 56637 MOTOR BONORA/CODE
32	4405010420	PARA: 56638, 56639 MOTOR BONORA/CODE
32	4405010688	PARA: 56633, 56634, 56635, 56637 MOTOR ASTRAL
32	4405010689	PARA: 56638, 56639 MOTOR ASTRAL
33	4405010394	PARA: 56633, 56634, 56635, 56637 MOTOR BONORA/CODE
33	4405010395	PARA: 56638, 56639 MOTOR BONORA/CODE

*** -> VER HOJA DE OBSERVACIONES**

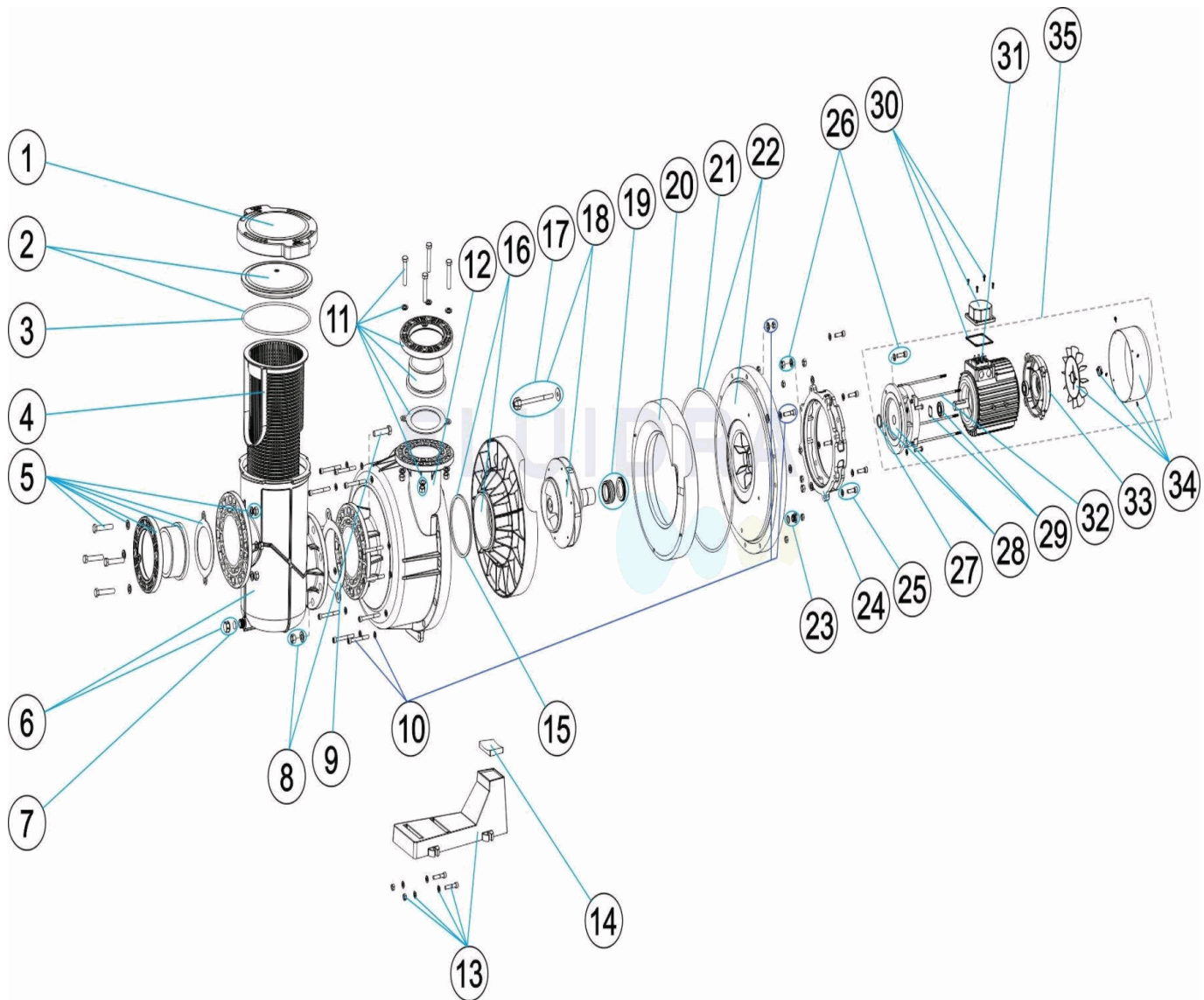
CODIGO 56633, 56634, 56635, 56637, 56638, 56639

DESCRIPCION: BOMBA KIVU 7,5-10-15 CV

33	4405010481	PARA: 56633, 56634, 56635, 56637 MOTOR ASTRAL
33	4405010482	PARA: 56638, 56639 MOTOR ASTRAL
34	4405010396	PARA: 56633, 56634, 56635, 56637 MOTOR BONORA/CODE
34	4405010397	PARA: 56638, 56639 MOTOR BONORA/CODE
34	4405010483	PARA: 56633, 56634, 56635, 56637 MOTOR ASTRAL
34	4405010484	PARA: 56638, 56639 MOTOR ASTRAL
35	56633R0475	PARA: 56633
35	56634R0475	PARA: 56634
35	56635R0475	PARA: 56635
35	56637R0475	PARA: 56637
35	56638R0475	PARA: 56638
35	56639R0475	PARA: 56639

CODE **56633, 56634, 56635, 56637, 56638, 56639**

DESCRIPTION: **POMPE KIVU 7,5-10-15 CV**



FRANCAIS

POS	CODE	DESCRIPTION	POS	CODE	DESCRIPTION
1	4405010278	ÉCROU PRÉFILTRE 25L.	14	* 4405010290	SILENT-BLOCK 15 HP.
2	4405010279	COUVERCLE PRÉFILTRE 25L. + JOINT	15	4405010289	JOINT PLAT 186X170X6
3	4405010280	JOINT TORIQUE COUVERCLE PRÉFILTRE	16	* 4405010291	VOLUTE GAUCHE 7,5 HP. + JOINT
4	4405010281	PANIER PRÉFILTRE 25 L	16	* 4405010292	VOLUTE GAUCHE 10 HP. + JOINT
5	4405010683	RACCORDS UNION D-160	16	* 4405010293	VOLUTE GAUCHE 15 HP. + JOINT
6	4405010282	CORPS PRÉFILTRE 25 L.	17	* 4405010297	BOUCHON BOUT D'AXE ROTOR 7,5-10 HP.
7	4405010283	ENSEMBLE BOUCHON PURGE 3/4" BS "	17	* 4405010298	BOUCHON BOUT D'AXE ROTOR 15 HP.
8	4405010286	ENS. VIS RACCORD PRÉFILTRE	18	* 4405010294	TURBINE 7,5 HP
9	4405010284	JOINT PLAT PP D160	18	* 4405010690	TURBINE 7,5 HP 60 HZ
10	4405010287	ENSEMBLE VIS FIXATION CORPS	18	* 4405010295	TURBINE 10 HP
11	4405010682	RACCORDS UNION D-160	18	* 4405010691	TURBINE 10 HP 60 HZ
12	4405010285	CORPS POMPE	18	* 4405010296	TURBINE 15 HP
13	4405010288	SOCLE POMPE	18	* 4405010692	TURBINE 15 HP 60 HZ

*** -> VOIR FICHE D'OBSERVATIONS**

CODE **56633, 56634, 56635, 56637, 56638, 56639**

DESCRIPTION: **POMPE KIVU 7,5-10-15 CV**

14	* 4405010366	SILENT-BLOCK 7,5 A 10 HP.	19	4405010299	GARNITURE MÉCANIQUE
20	* 4405010300	VOLUTE DROITE 7,5 HP.	31	* 4405010686	REGLETTE CONNEXION T.132
20	* 4405010329	VOLUTE DROITE 10 HP.	31	* 4405010685	REGLETTE CONNEXION T.160
20	* 4405010336	VOLUTE DROITE 15 HP.	31	* 4405010684	REGLETTE CONNEXION T.132
21	4405010365	JOINT TORIQUE COUVERCLE PRÉFILTRE	31	* 4405010687	REGLETTE CONNEXION T.160
22	4405010385	BRIDE FERMETURE MÉCANIQUE + JOINT	32	* 4405010400	TIGE NOIRE 7,5 HP
23	4401043406	BOUCHON 1/2'	32	* 4405010407	TIGE NOIRE 10 HP
24	4405010386	BRIDE MOTEUR PEINTE	32	* 4405010420	TIGE NOIRE 15 HP
25	4405010398	VIS FIXATION BRIDE	32	* 4405010688	VIS CORPS T.132
26	4405010399	VIS BRIDE MOTEUR	32	* 4405010689	VIS CORPS T.160
27	* 4405010387	JOINT RÉGULATEUR DÉBIT VA-40, 7,5-10 HP	33	* 4405010394	COUVERCLE ARRIÈRE NOIR 7,5-10 HP
27	* 4405020544	JOINT V	33	* 4405010395	COUVERCLE ARRIÈRE NOIR 15 HP
27	* 4405010474	JOINT RÉGULATEUR DÉBIT VA-40, 7,5-10 HP	33	* 4405010481	COUVERCLE ARRIÈRE NOIR 7,5-10 HP
27	* 4405010475	JOINT RÉGULATEUR DÉBIT VA-45, 15 HP	33	* 4405010482	COUVERCLE ARRIÈRE NOIR 15 HP
28	* 4405010388	BRIDE MOTEUR AVANT NOIRE 7,5-10 HP	34	* 4405010396	CAPOT VENTILATEUR + VENTILATEUR 7,5-10 HP
28	* 4405010389	BRIDE MOTEUR AVANT NOIRE 15 HP	34	* 4405010397	CAPOT VENTILATEUR + VENTILATEUR 15 HP
28	* 4405010476	BRIDE MOTEUR AVANT NOIRE 7,5 HP	34	* 4405010483	CAPOT VENTILATEUR + VENTILATEUR 7,5-10 HP
28	* 4405010477	BRIDE MOTEUR AVANT NOIRE 10 HP	34	* 4405010484	CAPOT VENTILATEUR + VENTILATEUR 15 HP
28	* 4405010478	BRIDE MOTEUR AVANT NOIRE 15 HP	35	* 56633R0475	MOTOUR 7,5 HP 230/400V
29	* 4405010390	ROULEMENT 7,5-10 HP	35	* 56634R0475	MOTEUR 7,5 HP 230/400V
29	* 4405010391	ROULEMENTS 15 HP	35	* 56635R0475	MOTOUR 10 HP 230/400V
30	* 4405010392	COUVERCLE CONNEXIONS NOIR 7,5-10 HP	35	* 56637R0475	MOTEUR 10 CV. 400/690V.
30	* 4405010393	COUVERCLE CONNEXIONS NOIR 15 HP	35	* 56638R0475	MOTEUR 15 HP 230/400V
30	* 4405010479	COUVERCLE CONNEXIONS NOIR 7,5-10 HP	35	* 56639R0475	MOTEUR 15 CV. 400/690V.
30	* 4405010480	COUVERCLE CONNEXIONS NOIR 15 HP			

CODE **56633, 56634, 56635, 56637, 56638, 56639**

DESCRIPTION: **POMPE KIVU 7,5-10-15 CV**

OBSERVATIONS

POS	CODE	OBSERVATIONS
14	4405010366	POUR: 56633, 56634, 56635, 56637
14	4405010290	POUR: 56638, 56639
16	4405010291	POUR: 56633, 56634
16	4405010292	POUR: 56635, 56637
16	4405010293	POUR: 56638, 56639
17	4405010297	POUR: 56633, 56634, 56635, 56637
17	4405010298	POUR: 56638, 56639
18	4405010294	POUR: 56633, 56634 50 HZ
18	4405010690	POUR: 56633, 56634 60 HZ
18	4405010295	POUR: 56635, 56637 50 HZ
18	4405010691	POUR: 56635, 56637 60 HZ
18	4405010296	POUR: 56638, 56639 50 HZ
18	4405010692	POUR: 56638, 56639 60 HZ
20	4405010300	POUR: 56633, 56634
20	4405010329	POUR: 56635, 56637
20	4405010336	POUR: 56638, 56639
27	4405010387	POUR: 56633, 56634, 56635, 56637 MOTOR BONORA/CODE
27	4405020544	POUR: 56638, 56639 MOTOR BONORA/CODE
27	4405010474	POUR: 56633, 56634, 56635, 56637 MOTOR ASTRAL
27	4405010475	POUR: 56638, 56639 MOTOR ASTRAL
28	4405010388	POUR: 56633, 56634, 56635, 56637 MOTOR BONORA/CODE
28	4405010389	POUR: 56638, 56639 MOTOR BONORA/CODE
28	4405010476	POUR: 56633, 56634 MOTOR ASTRAL
28	4405010477	POUR: 56635, 56637 MOTOR ASTRAL
28	4405010478	POUR: 56638, 56639 MOTOR ASTRAL
29	4405010390	POUR: 56633, 56634, 56635, 56637
29	4405010391	POUR: 56638, 56639
30	4405010392	POUR: 56633, 56634, 56635, 56637 MOTOR BONORA/CODE
30	4405010393	POUR: 56638, 56639 MOTOR BONORA/CODE
30	4405010479	POUR: 56633, 56634, 56635, 56637 MOTOR ASTRAL
30	4405010480	POUR: 56638, 56639 MOTOR ASTRAL
31	4405010686	POUR: 56633, 56634, 56635, 56637 MOTOR BONORA/CODE
31	4405010685	POUR: 56638, 56639 MOTOR BONORA/CODE
31	4405010684	POUR: 56633, 56634, 56635, 56637 MOTOR ASTRAL
31	4405010687	POUR: 56638, 56639 MOTOR ASTRAL
32	4405010400	POUR: 56633, 56634 MOTOR BONORA/CODE
32	4405010407	POUR: 56635, 56637 MOTOR BONORA/CODE
32	4405010420	POUR: 56638, 56639 MOTOR BONORA/CODE
32	4405010688	POUR: 56633, 56634, 56635, 56637 MOTOR ASTRAL
32	4405010689	POUR: 56638, 56639 MOTOR ASTRAL
33	4405010394	POUR: 56633, 56634, 56635, 56637 MOTOR BONORA/CODE
33	4405010395	POUR: 56638, 56639 MOTOR BONORA/CODE

*** -> VOIR FICHE D'OBSERVATIONS**

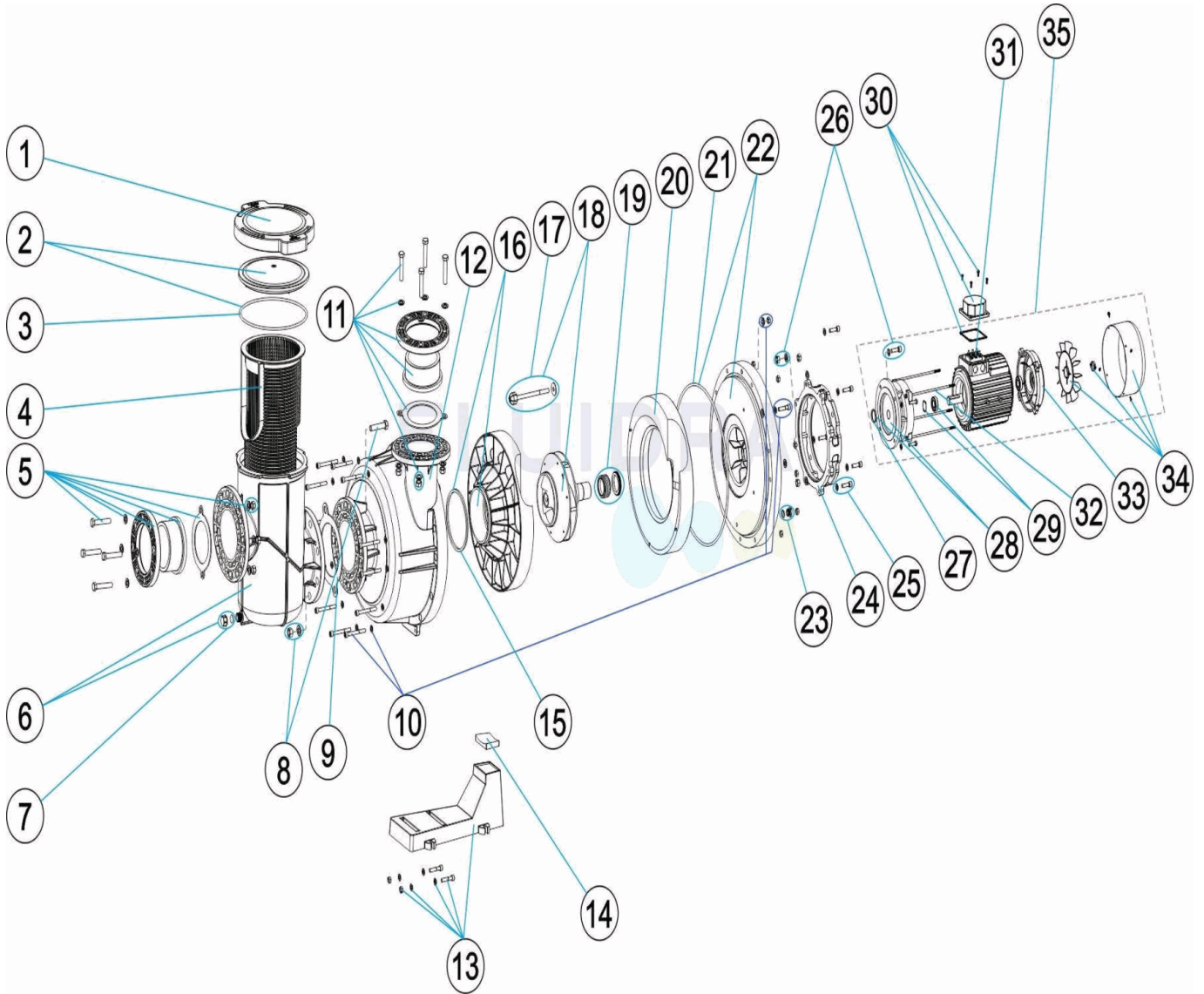
CODE **56633, 56634, 56635, 56637, 56638, 56639**

DESCRIPTION: **POMPE KIVU 7,5-10-15 CV**

33	4405010481	POUR: 56633, 56634, 56635, 56637	MOTOR ASTRAL
33	4405010482	POUR: 56638, 56639	MOTOR ASTRAL
34	4405010396	POUR: 56633, 56634, 56635, 56637	MOTOR BONORA/CODE
34	4405010397	POUR: 56638, 56639	MOTOR BONORA/CODE
34	4405010483	POUR: 56633, 56634, 56635, 56637	MOTOR ASTRAL
34	4405010484	POUR: 56638, 56639	MOTOR ASTRAL
35	56633R0475	POUR: 56633	
35	56634R0475	POUR: 56634	
35	56635R0475	POUR: 56635	
35	56637R0475	POUR: 56637	
35	56638R0475	POUR: 56638	
35	56639R0475	POUR: 56639	

CODE **56633, 56634, 56635, 56637, 56638, 56639**

DESCRIPTION: **KIVU PUMP 7,5-10-15 CV**



ENGLISH

POS	CODE	DESCRIPTION	POS	CODE	DESCRIPTION
1	4405010278	25 L. PREFILTER NUT	14	* 4405010290	SILENTBLOCK 15 HP.
2	4405010279	25 L. PREFILTER LID + GASKET	15	4405010289	FLAT GASKET 186X170X6
3	4405010280	PREFILTER LID TORIC GASKET	16	* 4405010291	7.5 HP LEFT VOLUTE + GASKET
4	4405010281	PRE-FILTER BASKET 25 L	16	* 4405010292	10 HP LEFT VOLUTE + GASKET
5	4405010683	UNION FITTINGS D-160	16	* 4405010293	15 HP LEFT VOLUTE + GASKET
6	4405010282	PREFILTER BODY 25 L.	17	* 4405010297	IMPELLER COVER 7,5-10 HP.
7	4405010283	DRAIN CAP SET 3/4" BS "	17	* 4405010298	IMPELLER COVER 15 HP.
8	4405010286	PREFILTER CONNECTING SCREWS	18	* 4405010294	IMPELLER 7,5 HP
9	4405010284	D160 PP FLAT GASKET	18	* 4405010690	IMPELLER 7,5 HP 60 HZ
10	4405010287	KIT FIXING SCREWS	18	* 4405010295	IMPELLER 10 HP
11	4405010682	UNION FITTINGS D-160	18	* 4405010691	IMPELLER 10 HP 60 HZ
12	4405010285	PUMP HOUSING	18	* 4405010296	IMPELLER 15 HP
13	4405010288	PUMP BASE	18	* 4405010692	IMPELLER 15 HP 60 HZ

*** -> SEE OBSERVATIONS SHEET**

CODE **56633, 56634, 56635, 56637, 56638, 56639**

DESCRIPTION: **KIVU PUMP 7,5-10-15 CV**

14	* 4405010366	SILENTBLOCK 7,5 A 10 HP.	19	4405010299	MECHANICAL SEAL
20	* 4405010300	7.5 HP RIGHT VOLUTE	31	* 4405010686	TERMINAL STRIP T.132
20	* 4405010329	10 HP RIGHT VOLUTE	31	* 4405010685	TERMINAL STRIP T.160
20	* 4405010336	15 HP RIGHT VOLUTE	31	* 4405010684	TERMINAL STRIP T.132
21	4405010365	PREFILTER LID TORIC GASKET	31	* 4405010687	TERMINAL STRIP T.160
22	4405010385	MECHANICAL CLOSURE FLANGE + SEAL	32	* 4405010400	7.5 HP BLACK BAR
23	4401043406	PLUG 1/2"	32	* 4405010407	10 HP BLACK BAR
24	4405010386	PAINTED MOTOR FLANGE	32	* 4405010420	15 HP BLACK BAR
25	4405010398	SCREWS FIXING DIVING BRIDLE	32	* 4405010688	SCREWS T.132
26	4405010399	MOTOR FLANGE SCREWS	32	* 4405010689	SCREWS T.160
27	* 4405010387	VA-40 WATER THROWER GASKET, 7.5-10 HP	33	* 4405010394	7.5-10 HP BLACK REAR LID
27	* 4405020544	GASKET V	33	* 4405010395	15 HP BLACK REAR LID
27	* 4405010474	VA-40 WATER THROWER GASKET, 7.5-10 HP	33	* 4405010481	7.5-10 HP BLACK REAR LID
27	* 4405010475	VA-45 WATER THROWER GASKET, 15 HP	33	* 4405010482	15 HP BLACK REAR LID
28	* 4405010388	7.5-10 HP BLACK FRONT MOTOR FLANGE	34	* 4405010396	FAN COVER + FAN 7,5-10 HP
28	* 4405010389	15 HP BLACK FRONT MOTOR FLANGE	34	* 4405010397	FAN COVER + FAN 15 HP
28	* 4405010476	7.5 HP BLACK FRONT MOTOR FLANGE	34	* 4405010483	FAN COVER + FAN 7,5-10 HP
28	* 4405010477	10 HP BLACK FRONT MOTOR FLANGE	34	* 4405010484	FAN COVER + FAN 15 HP
28	* 4405010478	15 HP BLACK FRONT MOTOR FLANGE	35	* 56633R0475	MOTOR 7,5 HP 230/400V
29	* 4405010390	BEARING 7,5-10 HP	35	* 56634R0475	MOTOR 7,5 HP 230/400V
29	* 4405010391	BEARINGS 15 HP	35	* 56635R0475	MOTOR 10 HP 230/400V
30	* 4405010392	7.5-10 HP BLACK LID CONNECTORS	35	* 56637R0475	MOTOR 10 CV. 400/690V.
30	* 4405010393	15 HP BLACK LID CONNECTORS	35	* 56638R0475	MOTOR 15 HP 230/400V
30	* 4405010479	7.5-10 HP BLACK LID CONNECTORS	35	* 56639R0475	MOTOR 15 CV. 400/690V.
30	* 4405010480	15 HP BLACK LID CONNECTORS			

CODE **56633, 56634, 56635, 56637, 56638, 56639**

DESCRIPTION: **KIVU PUMP 7,5-10-15 CV**

OBSERVATIONS

POS	CODE	OBSERVATIONS
14	4405010366	FOR: 56633, 56634, 56635, 56637
14	4405010290	FOR: 56638, 56639
16	4405010291	FOR: 56633, 56634
16	4405010292	FOR: 56635, 56637
16	4405010293	FOR: 56638, 56639
17	4405010297	FOR: 56633, 56634, 56635, 56637
17	4405010298	FOR: 56638, 56639
18	4405010294	FOR: 56633, 56634 50 HZ
18	4405010690	FOR: 56633, 56634 60 HZ
18	4405010295	FOR: 56635, 56637 50 HZ
18	4405010691	FOR: 56635, 56637 60 HZ
18	4405010296	FOR: 56638, 56639 50 HZ
18	4405010692	FOR: 56638, 56639 60 HZ
20	4405010300	FOR: 56633, 56634
20	4405010329	FOR: 56635, 56637
20	4405010336	FOR: 56638, 56639
27	4405010387	FOR: 56633, 56634, 56635, 56637 MOTOR BONORA/CODE
27	4405020544	FOR: 56638, 56639 MOTOR BONORA/CODE
27	4405010474	FOR: 56633, 56634, 56635, 56637 MOTOR ASTRAL
27	4405010475	FOR: 56638, 56639 MOTOR ASTRAL
28	4405010388	FOR: 56633, 56634, 56635, 56637 MOTOR BONORA/CODE
28	4405010389	FOR: 56638, 56639 MOTOR BONORA/CODE
28	4405010476	FOR: 56633, 56634 MOTOR ASTRAL
28	4405010477	FOR: 56635, 56637 MOTOR ASTRAL
28	4405010478	FOR: 56638, 56639 MOTOR ASTRAL
29	4405010390	FOR: 56633, 56634, 56635, 56637
29	4405010391	FOR: 56638, 56639
30	4405010392	FOR: 56633, 56634, 56635, 56637 MOTOR BONORA/CODE
30	4405010393	FOR: 56638, 56639 MOTOR BONORA/CODE
30	4405010479	FOR: 56633, 56634, 56635, 56637 MOTOR ASTRAL
30	4405010480	FOR: 56638, 56639 MOTOR ASTRAL
31	4405010686	FOR: 56633, 56634, 56635, 56637 MOTOR BONORA/CODE
31	4405010685	FOR: 56638, 56639 MOTOR BONORA/CODE
31	4405010684	FOR: 56633, 56634, 56635, 56637 MOTOR ASTRAL
31	4405010687	FOR: 56638, 56639 MOTOR ASTRAL
32	4405010400	FOR: 56633, 56634 MOTOR BONORA/CODE
32	4405010407	FOR: 56635, 56637 MOTOR BONORA/CODE
32	4405010420	FOR: 56638, 56639 MOTOR BONORA/CODE
32	4405010688	FOR: 56633, 56634, 56635, 56637 MOTOR ASTRAL
32	4405010689	FOR: 56638, 56639 MOTOR ASTRAL
33	4405010394	FOR: 56633, 56634, 56635, 56637 MOTOR BONORA/CODE
33	4405010395	FOR: 56638, 56639 MOTOR BONORA/CODE

* -> SEE OBSERVATIONS SHEET

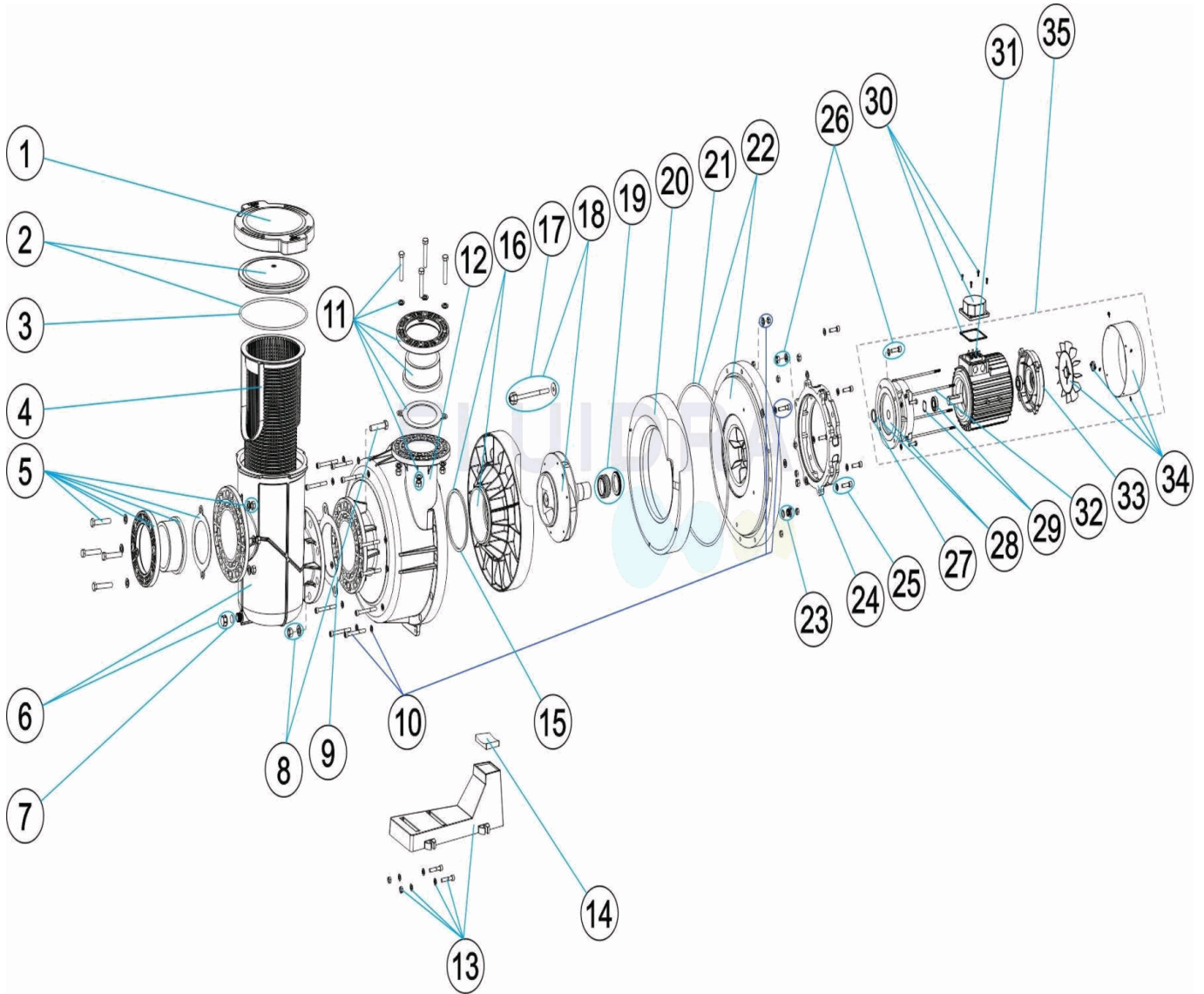
CODE **56633, 56634, 56635, 56637, 56638, 56639**

DESCRIPTION: **KIVU PUMP 7,5-10-15 CV**

33	4405010481	FOR: 56633, 56634, 56635, 56637 MOTOR ASTRAL
33	4405010482	FOR: 56638, 56639 MOTOR ASTRAL
34	4405010396	FOR: 56633, 56634, 56635, 56637 MOTOR BONORA/CODE
34	4405010397	FOR: 56638, 56639 MOTOR BONORA/CODE
34	4405010483	FOR: 56633, 56634, 56635, 56637 MOTOR ASTRAL
34	4405010484	FOR: 56638, 56639 MOTOR ASTRAL
35	56633R0475	FOR: 56633
35	56634R0475	FOR: 56634
35	56635R0475	FOR: 56635
35	56637R0475	FOR: 56637
35	56638R0475	FOR: 56638
35	56639R0475	FOR: 56639

CODICE 56633, 56634, 56635, 56637, 56638, 56639

DESCRIZIONE: POMPA KIVU 7,5-10-15 CV



ITALIANO

POS	CODICE	DESCRIZIONE	POS	CODICE	DESCRIZIONE
1	4405010278	DADO PREFILTRO 25 L.	14	* 4405010290	SILENTBLOC 15 HP.
2	4405010279	COPERCHIO PREFILTRO 25 L. + GIUNTA	15	4405010289	GIUNTURA PIANA 186X170X6
3	4405010280	GUARNIZIONE COPERCHIO PREFILTRO	16	* 4405010291	VOLUTA SINISTRA 7,5 HP. + GIUNTA
4	4405010281	CESTO PREFILTRO 25 L	16	* 4405010292	VOLUTA SINISTRA 10 HP. + GIUNTA
5	4405010683	MANICOTTI DI UNIONE D-160	16	* 4405010293	VOLUTA SINISTRA 15 HP. + GIUNTA
6	4405010282	CORPO PREFILTRO 25 L.	17	* 4405010297	TAPPO RUOTA 7,5-10 HP.
7	4405010283	CONGIUNTO COPERCHIO SPURGO 3/4" BS "	17	* 4405010298	TAPPO RUOTA 15 HP.
8	4405010286	INS. VITI UNIONE PREFILTRO	18	* 4405010294	RUOTA 7,5 HP
9	4405010284	GUARNIZIONE PIANA PP D160	18	* 4405010690	RUOTA 7,5 HP 60 HZ
10	4405010287	KIT VITI FISSAGGIO	18	* 4405010295	RUOTA 10 HP
11	4405010682	MANICOTTI DI UNIONE D-160	18	* 4405010691	RUOTA 10 HP 60 HZ
12	4405010285	CORPO POMBA	18	* 4405010296	RUOTA 15 HP
13	4405010288	BASAMENTO POMPA	18	* 4405010692	RUOTA 15 HP 60 HZ

* -> SI FACCI RIFERIMENTO AL FOGLIO DELLE OSSERVAZIONI

CODICE **56633, 56634, 56635, 56637, 56638, 56639**

DESCRIZIONE: **POMPA KIVU 7,5-10-15 CV**

14	* 4405010366	SILENTBLOC 7,5 A 10 HP.	19	4405010299	GUARNIZIONE MECCANICA
20	* 4405010300	VOLUTA DESTRA 7,5 HP.	31	* 4405010686	CONNESSIONE T.132
20	* 4405010329	VOLUTA DESTRA 10 HP.	31	* 4405010685	CONNESSIONE T.160
20	* 4405010336	VOLUTA DESTRA 15 HP.	31	* 4405010684	CONNESSIONE T.132
21	4405010365	GUARNIZIONE COPERCHIO PREFILTRO	31	* 4405010687	CONNESSIONE T.160
22	4405010385	FASCETTA CHIUSURA MECCANICA + GIUNTA	32	* 4405010400	TONDINO NERO 7,5 HP
23	4401043406	TAPPO 1/2"	32	* 4405010407	TONDINO NERO 10 HP
24	4405010386	FASCETTA MOTORE VERNICIATA	32	* 4405010420	TONDINO NERO 15 HP
25	4405010398	VITI FISSAGGIO FLANGIA	32	* 4405010688	VITI T.132
26	4405010399	VITI FASCETTA MOTORE	32	* 4405010689	VITI T.160
27	* 4405010387	GIUNTA ROMPIACQUA VA-40, 7,5-10 HP	33	* 4405010394	COPERCHIO POSTERIORE NERO 7,5-10 HP
27	* 4405020544	O-RING V	33	* 4405010395	COPERCHIO POSTERIORE NERO 15 HP
27	* 4405010474	GIUNTA ROMPIACQUA VA-40, 7,5-10 HP	33	* 4405010481	COPERCHIO POSTERIORE NERO 7,5-10 HP
27	* 4405010475	GIUNTA ROMPIACQUA VA-45, 15 HP	33	* 4405010482	COPERCHIO POSTERIORE NERO 15 HP
28	* 4405010388	FASCETTA MOTORE ANTERIORE NERA 7,5-10 HP	34	* 4405010396	COPERCHIO VENTILATORE + VENTILATORE 7,5-10 HP
28	* 4405010389	FASCETTA MOTORE ANTERIORE NERA 15 HP	34	* 4405010397	COPERCHIO VENTILATORE + VENTILATORE 15 HP
28	* 4405010476	FASCETTA MOTORE ANTERIORE NERA 7,5 HP	34	* 4405010483	COPERCHIO VENTILATORE + VENTILATORE 7,5-10 HP
28	* 4405010477	FASCETTA MOTORE ANTERIORE NERA 10 HP	34	* 4405010484	COPERCHIO VENTILATORE + VENTILATORE 15 HP
28	* 4405010478	FASCETTA MOTORE ANTERIORE NERA 15 HP	35	* 56633R0475	MOTOR 7,5 HP 230/400V
29	* 4405010390	CUSCINETTO 7,5-10 HP	35	* 56634R0475	MOTOR 7,5 HP 230/400V
29	* 4405010391	CUSCINETTI 15 HP	35	* 56635R0475	MOTOR 10 HP 230/400V
30	* 4405010392	COPERCHIO CONNESSIONI NERO 7,5-10 HP	35	* 56637R0475	MOTOR 10 CV. 400/690V.
30	* 4405010393	COPERCHIO CONNESSIONI NERO 15 HP	35	* 56638R0475	MOTOR 15 HP 230/400V
30	* 4405010479	COPERCHIO CONNESSIONI NERO 7,5-10 HP	35	* 56639R0475	MOTOR 15 CV. 400/690V.
30	* 4405010480	COPERCHIO CONNESSIONI NERO 15 HP			

CODICE 56633, 56634, 56635, 56637, 56638, 56639

DESCRIZIONE: POMPA KIVU 7,5-10-15 CV

OSSERVAZIONI

POS	CODICE	OSSERVAZIONI
14	4405010366	PER: 56633, 56634, 56635, 56637
14	4405010290	PER: 56638, 56639
16	4405010291	PER: 56633, 56634
16	4405010292	PER: 56635, 56637
16	4405010293	PER: 56638, 56639
17	4405010297	PER: 56633, 56634, 56635, 56637
17	4405010298	PER: 56638, 56639
18	4405010294	PER: 56633, 56634 50 HZ
18	4405010690	PER: 56633, 56634 60 HZ
18	4405010295	PER: 56635, 56637 50 HZ
18	4405010691	PER: 56635, 56637 60 HZ
18	4405010296	PER: 56638, 56639 50 HZ
18	4405010692	PER: 56638, 56639 60 HZ
20	4405010300	PER: 56633, 56634
20	4405010329	PER: 56635, 56637
20	4405010336	PER: 56638, 56639
27	4405010387	PER: 56633, 56634, 56635, 56637 MOTOR BONORA/CODE
27	4405020544	PER: 56638, 56639 MOTOR BONORA/CODE
27	4405010474	PER: 56633, 56634, 56635, 56637 MOTOR ASTRAL
27	4405010475	PER: 56638, 56639 MOTOR ASTRAL
28	4405010388	PER: 56633, 56634, 56635, 56637 MOTOR BONORA/CODE
28	4405010389	PER: 56638, 56639 MOTOR BONORA/CODE
28	4405010476	PER: 56633, 56634 MOTOR ASTRAL
28	4405010477	PER: 56635, 56637 MOTOR ASTRAL
28	4405010478	PER: 56638, 56639 MOTOR ASTRAL
29	4405010390	PER: 56633, 56634, 56635, 56637
29	4405010391	PER: 56638, 56639
30	4405010392	PER: 56633, 56634, 56635, 56637 MOTOR BONORA/CODE
30	4405010393	PER: 56638, 56639 MOTOR BONORA/CODE
30	4405010479	PER: 56633, 56634, 56635, 56637 MOTOR ASTRAL
30	4405010480	PER: 56638, 56639 MOTOR ASTRAL
31	4405010686	PER: 56633, 56634, 56635, 56637 MOTOR BONORA/CODE
31	4405010685	PER: 56638, 56639 MOTOR BONORA/CODE
31	4405010684	PER: 56633, 56634, 56635, 56637 MOTOR ASTRAL
31	4405010687	PER: 56638, 56639 MOTOR ASTRAL
32	4405010400	PER: 56633, 56634 MOTOR BONORA/CODE
32	4405010407	PER: 56635, 56637 MOTOR BONORA/CODE
32	4405010420	PER: 56638, 56639 MOTOR BONORA/CODE
32	4405010688	PER: 56633, 56634, 56635, 56637 MOTOR ASTRAL
32	4405010689	PER: 56638, 56639 MOTOR ASTRAL
33	4405010394	PER: 56633, 56634, 56635, 56637 MOTOR BONORA/CODE
33	4405010395	PER: 56638, 56639 MOTOR BONORA/CODE

*** -> SI FACCI RIFERIMENTO AL FOGLIO DELLE OSSERVAZIONI**

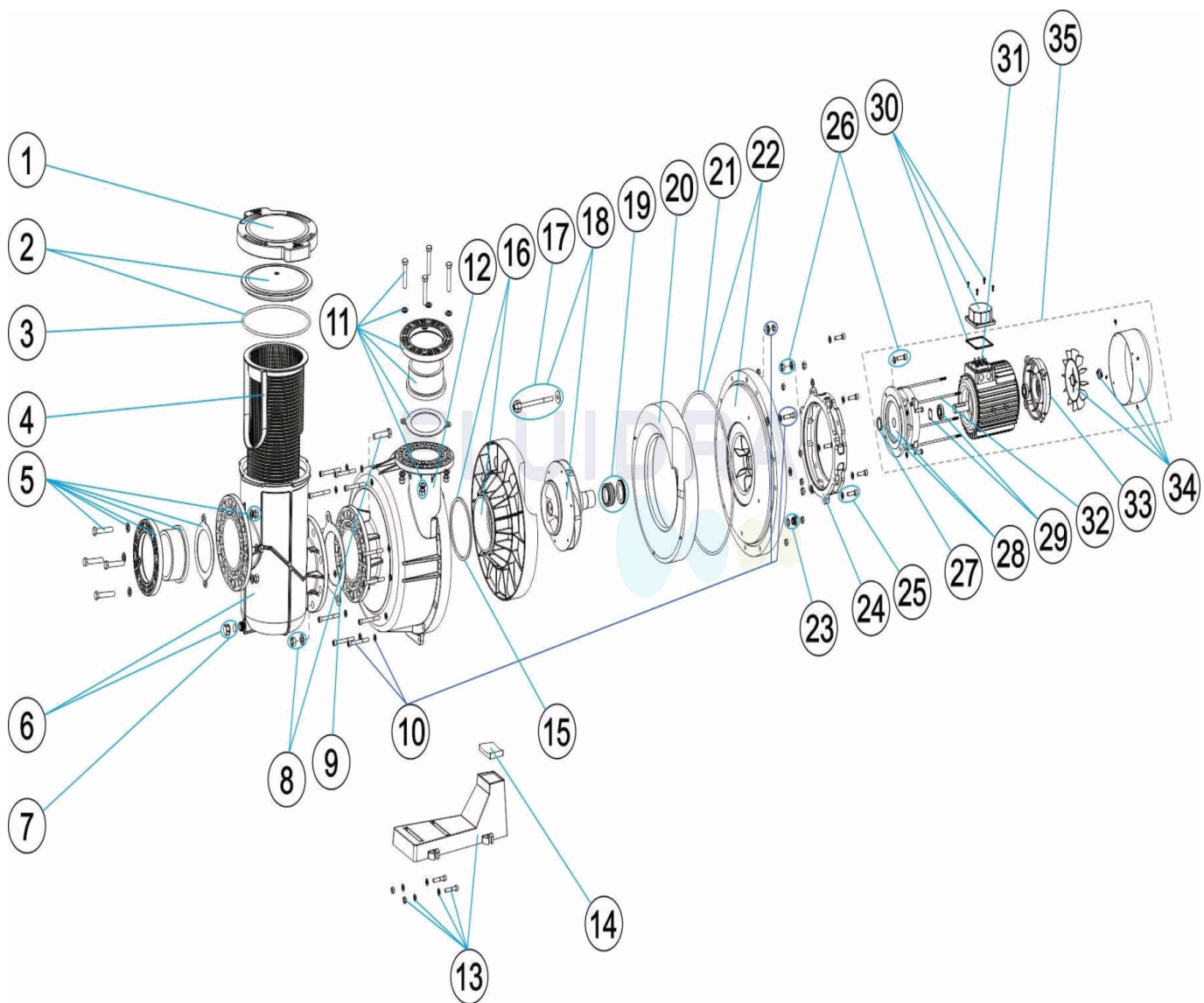
CODICE **56633, 56634, 56635, 56637, 56638, 56639**

DESCRIZIONE: **POMPA KIVU 7,5-10-15 CV**

33	4405010481	PER: 56633, 56634, 56635, 56637	MOTOR ASTRAL
33	4405010482	PER: 56638, 56639	MOTOR ASTRAL
34	4405010396	PER: 56633, 56634, 56635, 56637	MOTOR BONORA/CODE
34	4405010397	PER: 56638, 56639	MOTOR BONORA/CODE
34	4405010483	PER: 56633, 56634, 56635, 56637	MOTOR ASTRAL
34	4405010484	PER: 56638, 56639	MOTOR ASTRAL
35	56633R0475	PER: 56633	
35	56634R0475	PER: 56634	
35	56635R0475	PER: 56635	
35	56637R0475	PER: 56637	
35	56638R0475	PER: 56638	
35	56639R0475	PER: 56639	

CODE **56633, 56634, 56635, 56637, 56638, 56639**

BESCHREIBUNG: **PUMPE KIVU 7,5-10-15 CV**



DEUTSCH

POS	CODE	BESCHREIBUNG	POS	CODE	BESCHREIBUNG
1	4405010278	MUTTER VORFILTER 25 L	14	* 4405010290	SCHWINGUNGSDÄMPFER 15 HP
2	4405010279	VORFILTERABDECKUNG 25 L UND DICHTUNG	15	4405010289	FLACHDICHTUNG 186 X 170 X 6
3	4405010280	O-RING VORFILTERDECKEL	16	* 4405010291	SCHNECKE LINKS 7,5 HP UND DICHTUNG
4	4405010281	VORFILTERKORB 25 L	16	* 4405010292	SCHNECKE LINKS 10 HP UND DICHTUNG
5	4405010683	ANSCHLUSSZUBEHÖR D. 160	16	* 4405010293	SCHNECKE LINKS 15 HP UND DICHTUNG
6	4405010282	GEHÄUSE VORFILTER 25 L	17	* 4405010297	STOPFEN LAUFRAD 7,5 - 10 HP
7	4405010283	SET STOPFEN ABLASS 3/4" BS "	17	* 4405010298	STOPFEN LAUFRAD 15 HP
8	4405010286	SET VERBINDUNGSSCHRAUBEN VORFILTER	18	* 4405010294	LAUFRAD 7,5 HP
9	4405010284	FLACHDICHTUNG PP D160	18	* 4405010690	LAUFRAD 7,5 HP 60 HZ
10	4405010287	SET VERBINDUNGSSCHRAUBEN GEHÄUSE	18	* 4405010295	LAUFRAD 10 HP
11	4405010682	ANSCHLUSSZUBEHÖR D. 160	18	* 4405010691	LAUFRAD 10 HP 60 HZ
12	4405010285	PUMPENGEHÄUSE	18	* 4405010296	LAUFRAD 15 HP
13	4405010288	PUMPENFUSS	18	* 4405010692	LAUFRAD 15 HP 60 HZ

*** -> SIEHE ANMERKUNGSBLATT**

CODE **56633, 56634, 56635, 56637, 56638, 56639**

BESCHREIBUNG: **PUMPE KIVU 7,5-10-15 CV**

14	* 4405010366	SCHWINGUNGSDÄMPFER 7,5 - 10 HP	19	4405010299	GLEITRINGDICHTUNG
20	* 4405010300	SCHNECKE RECHTS 7,5 HP	31	* 4405010686	KLEMMLEISTE T.132
20	* 4405010329	SCHNECKE RECHTS 10 HP	31	* 4405010685	KLEMMLEISTE T.160
20	* 4405010336	SCHNECKE RECHTS 15 HP	31	* 4405010684	KLEMMLEISTE T.132
21	4405010365	O-RING VORFILTERDECKEL	31	* 4405010687	KLEMMLEISTE T.160
22	4405010385	GLEITRINGDICHTUNG SCHLIESSVORRICHTUNG UN	32	* 4405010400	RUNDEISEN SCHWARZ 7,5 HP
23	4401043406	STOPFEN 1/2"	32	* 4405010407	RUNDEISEN SCHWARZ 10 HP
24	4405010386	MOTORFLANSCH LACKIERT	32	* 4405010420	RUNDEISEN SCHWARZ 15 HP
25	4405010398	FIXIERSCHRAUBEN FLANSCH	32	* 4405010688	FIXIERSCHRAUBEN T.132
26	4405010399	SCHRAUBEN MOTORFLANSCH	32	* 4405010689	FIXIERSCHRAUBEN T.160
27	* 4405010387	DICHTUNG WASSERBRECHER VA - 40, 7,5 - 10 HP	33	* 4405010394	ABDECKUNG HINTEN SCHWARZ 7,5 - 10 HP
27	* 4405020544	DICHTUNGSRING	33	* 4405010395	ABDECKUNG HINTEN SCHWARZ 15 HP
27	* 4405010474	DICHTUNG WASSERBRECHER VA - 40, 7,5 - 10 HP	33	* 4405010481	ABDECKUNG HINTEN SCHWARZ 7,5 - 10 HP
27	* 4405010475	DICHTUNG WASSERBRECHER VA - 45, 15 HP	33	* 4405010482	ABDECKUNG HINTEN SCHWARZ 15 HP
28	* 4405010388	VORDERER MOTORFLANSCH SCHWARZ 7,5 - 10 HF	34	* 4405010396	SET VENTILATORDECKEL 7,5 - 10 HP
28	* 4405010389	VORDERER MOTORFLANSCH SCHWARZ 15 HP	34	* 4405010397	SET VENTILATORDECKEL 15 HP
28	* 4405010476	VORDERER MOTORFLANSCH SCHWARZ 7,5 HP	34	* 4405010483	SET VENTILATORDECKEL 7,5 - 10 HP
28	* 4405010477	VORDERER MOTORFLANSCH SCHWARZ 10 HP	34	* 4405010484	SET VENTILATORDECKEL 15 HP
28	* 4405010478	VORDERER MOTORFLANSCH SCHWARZ 15 HP	35	* 56633R0475	MOTOR 7,5 HP 230/400V
29	* 4405010390	WÄZLAGER 6308 - 2 RSR,C3M 7,5 - 10 HP	35	* 56634R0475	MOTOR 7,5 CV 400/690 V
29	* 4405010391	WÄZLAGER 6309RSR C3, 15 HP	35	* 56635R0475	MOTOR 10 CV. 230/400V
30	* 4405010392	ABDECKUNG ANSCHLÜSSE SCHWARZ 7,5 - 10 HP	35	* 56637R0475	MOTOR 10 CV 400/690 V
30	* 4405010393	ABDECKUNG ANSCHLÜSSE SCHWARZ 15 HP	35	* 56638R0475	MOTOR 15 CV. 230/400V
30	* 4405010479	ABDECKUNG ANSCHLÜSSE SCHWARZ 7,5 - 10 HP	35	* 56639R0475	MOTOR 15 CV 400/690 V
30	* 4405010480	ABDECKUNG ANSCHLÜSSE SCHWARZ 15 HP			

CODE **56633, 56634, 56635, 56637, 56638, 56639**

BESCHREIBUNG: **PUMPE KIVU 7,5-10-15 CV**

HINWEISE

POS	CODE	HINWEISE
14	4405010366	FÜR: 56633, 56634, 56635, 56637
14	4405010290	FÜR: 56638, 56639
16	4405010291	FÜR: 56633, 56634
16	4405010292	FÜR: 56635, 56637
16	4405010293	FÜR: 56638, 56639
17	4405010297	FÜR: 56633, 56634, 56635, 56637
17	4405010298	FÜR: 56638, 56639
18	4405010294	FÜR: 56633, 56634 50 HZ
18	4405010690	FÜR: 56633, 56634 60 HZ
18	4405010295	FÜR: 56635, 56637 50 HZ
18	4405010691	FÜR: 56635, 56637 60 HZ
18	4405010296	FÜR: 56638, 56639 50 HZ
18	4405010692	FÜR: 56638, 56639 60 HZ
20	4405010300	FÜR: 56633, 56634
20	4405010329	FÜR: 56635, 56637
20	4405010336	FÜR: 56638, 56639
27	4405010387	FÜR: 56633, 56634, 56635, 56637 MOTOR BONORA/CODE
27	4405020544	FÜR: 56638, 56639 MOTOR BONORA/CODE
27	4405010474	FÜR: 56633, 56634, 56635, 56637 MOTOR ASTRAL
27	4405010475	FÜR: 56638, 56639 MOTOR ASTRAL
28	4405010388	FÜR: 56633, 56634, 56635, 56637 MOTOR BONORA/CODE
28	4405010389	FÜR: 56638, 56639 MOTOR BONORA/CODE
28	4405010476	FÜR: 56633, 56634 MOTOR ASTRAL
28	4405010477	FÜR: 56635, 56637 MOTOR ASTRAL
28	4405010478	FÜR: 56638, 56639 MOTOR ASTRAL
29	4405010390	FÜR: 56633, 56634, 56635, 56637
29	4405010391	FÜR: 56638, 56639
30	4405010392	FÜR: 56633, 56634, 56635, 56637 MOTOR BONORA/CODE
30	4405010393	FÜR: 56638, 56639 MOTOR BONORA/CODE
30	4405010479	FÜR: 56633, 56634, 56635, 56637 MOTOR ASTRAL
30	4405010480	FÜR: 56638, 56639 MOTOR ASTRAL
31	4405010686	FÜR: 56633, 56634, 56635, 56637 MOTOR BONORA/CODE
31	4405010685	FÜR: 56638, 56639 MOTOR BONORA/CODE
31	4405010684	FÜR: 56633, 56634, 56635, 56637 MOTOR ASTRAL
31	4405010687	FÜR: 56638, 56639 MOTOR ASTRAL
32	4405010400	FÜR: 56633, 56634 MOTOR BONORA/CODE
32	4405010407	FÜR: 56635, 56637 MOTOR BONORA/CODE
32	4405010420	FÜR: 56638, 56639 MOTOR BONORA/CODE
32	4405010688	FÜR: 56633, 56634, 56635, 56637 MOTOR ASTRAL
32	4405010689	FÜR: 56638, 56639 MOTOR ASTRAL
33	4405010394	FÜR: 56633, 56634, 56635, 56637 MOTOR BONORA/CODE
33	4405010395	FÜR: 56638, 56639 MOTOR BONORA/CODE

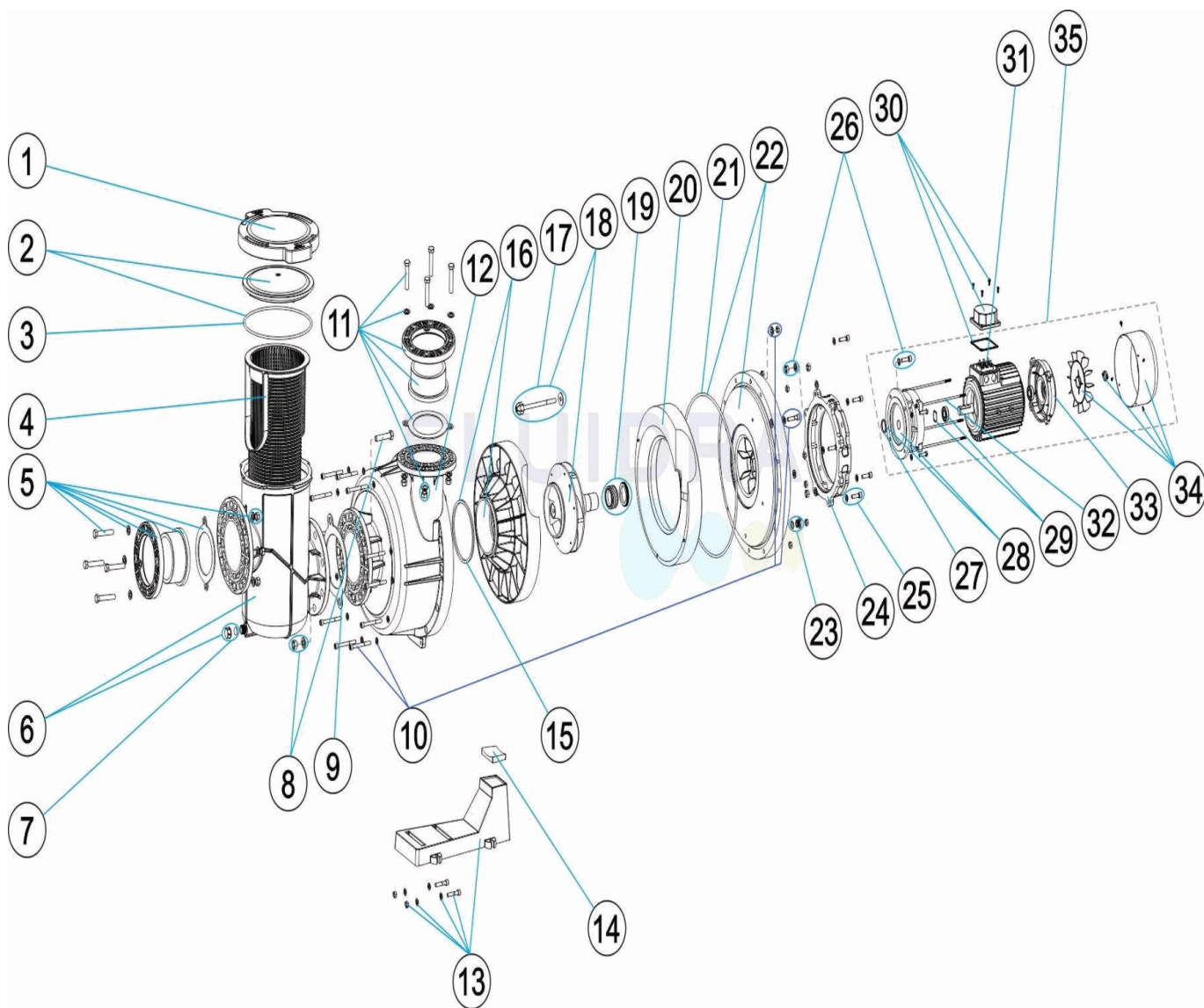
CODE **56633, 56634, 56635, 56637, 56638, 56639**

BESCHREIBUNG: **PUMPE KIVU 7,5-10-15 CV**

33	4405010481	FÜR: 56633, 56634, 56635, 56637 MOTOR ASTRAL
33	4405010482	FÜR: 56638, 56639 MOTOR ASTRAL
34	4405010396	FÜR: 56633, 56634, 56635, 56637 MOTOR BONORA/CODE
34	4405010397	FÜR: 56638, 56639 MOTOR BONORA/CODE
34	4405010483	FÜR: 56633, 56634, 56635, 56637 MOTOR ASTRAL
34	4405010484	FÜR: 56638, 56639 MOTOR ASTRAL
35	56633R0475	FÜR: 56633
35	56634R0475	FÜR: 56634
35	56635R0475	FÜR: 56635
35	56637R0475	FÜR: 56637
35	56638R0475	FÜR: 56638
35	56639R0475	FÜR: 56639

CODIGO 56633, 56634, 56635, 56637, 56638, 56639

DESCRIÇÃO: BOMBA KIVU 7,5-10-15 CV



PORTUGUES

POS	CODIGO	DESCRIÇÃO	POS	CODIGO	DESCRIÇÃO
1	4405010278	PORCA PRÉ-FILTRO 25 L.	14	* 4405010290	SILENT-BLOCK 15 HP.
2	4405010279	TAMPA PRÉ-FILTRO 25 L. + JUNTA	15	4405010289	BUCHA BORRACHA 186X170X6
3	4405010280	JUNTA TÓRICA TAMPA PRÉ-FILTRO	16	* 4405010291	VOLUTA ESQUERDA 7,5 HP. + JUNTA
4	4405010281	CESTO PRÉ-FILTRO 25 L	16	* 4405010292	VOLUTA ESQUERDA 10 HP. + JUNTA
5	4405010683	ACESSÓRIOS DE UNIÃO D-160	16	* 4405010293	VOLUTA ESQUERDA 15 HP. + JUNTA
6	4405010282	CORPO PRÉ-FILTRO 25 L.	17	* 4405010297	TAMPO RODÍZIO 7,5-10 HP.
7	4405010283	CJTO. TAMPÃO PURGA 3/4" BS "	17	* 4405010298	TAMPO RODÍZIO 15 HP.
8	4405010286	CJTO. PARAFUSOS UNIÃO PRÉ-FILTRO	18	* 4405010294	RODÍZIO 7,5 HP
9	4405010284	JUNTA PLANA PP D160	18	* 4405010690	RODÍZIO 7,5 HP 60 HZ
10	4405010287	CONJ.PARAFUSOS DE FIXAÇÃO DO CORPO	18	* 4405010295	RODÍZIO 10 HP
11	4405010682	ACESSÓRIOS DE UNIÃO D-160	18	* 4405010691	RODÍZIO 10 HP 60 HZ
12	4405010285	CORPO BOMBA	18	* 4405010296	RODÍZIO 15 HP
13	4405010288	PÉ BOMBA	18	* 4405010692	RODÍZIO 15 HP 60 HZ

*** -> VEJA A FICHA DE OBSERVAÇÕES**

CODIGO 56633, 56634, 56635, 56637, 56638, 56639

DESCRIÇÃO: BOMBA KIVU 7,5-10-15 CV

14	* 4405010366	SILENT-BLOCK 7,5 A 10 HP.	19	4405010299	JUNTA MECÂNICA
20	* 4405010300	VOLUTA DIREITA 7,5 HP.	31	* 4405010686	CALHA LIGAÇÃO T.132
20	* 4405010329	VOLUTA DIREITA 10 HP.	31	* 4405010685	CALHA LIGAÇÃO T.160
20	* 4405010336	VOLUTA DIREITA 15 HP.	31	* 4405010684	CALHA LIGAÇÃO T.132
21	4405010365	JUNTA TÓRICA TAMPÁ PRÉ-FILTRO	31	* 4405010687	CALHA LIGAÇÃO T.160
22	4405010385	FLANGE FECHO MECÂNICO + JUNTA	32	* 4405010400	VARETA PRETA 7,5 HP
23	4401043406	TAMPÃO 1/2"	32	* 4405010407	VARETA PRETA 10 HP
24	4405010386	FLANGE MOTOR PINTADA	32	* 4405010420	VARETA PRETA 15 HP
25	4405010398	PARAFUSOS FIXAÇÃO FLANGE	32	* 4405010688	PARAFUSOS T.132
26	4405010399	PARAFUSOS FLANGE MOTOR	32	* 4405010689	PARAFUSOS T.160
27	* 4405010387	JUNTA ESGUICHO VA-40, 7,5-10 HP	33	* 4405010394	TAMPA TRASEIRA PRETA 7,5-10 HP
27	* 4405020544	JUNTA V	33	* 4405010395	TAMPA TRASEIRA PRETA 15 HP
27	* 4405010474	JUNTA ESGUICHO VA-40, 7,5-10 HP	33	* 4405010481	TAMPA TRASEIRA PRETA 7,5-10 HP
27	* 4405010475	JUNTA ESGUICHO VA-45, 15 HP	33	* 4405010482	TAMPA TRASEIRA PRETA 15 HP
28	* 4405010388	FLANGE MOTOR DIANTEIRA PRETA 7,5-10 HP	34	* 4405010396	TAMPA VENTILADOR + VENTILADOR 7,5-10 HP
28	* 4405010389	FLANGE MOTOR DIANTEIRA PRETA 15 HP	34	* 4405010397	TAMPA VENTILADOR + VENTILADOR 15 HP
28	* 4405010476	FLANGE MOTOR DIANTEIRA PRETA 7,5 HP	34	* 4405010483	TAMPA VENTILADOR + VENTILADOR 7,5-10 HP
28	* 4405010477	FLANGE MOTOR DIANTEIRA PRETA 10 HP	34	* 4405010484	TAMPA VENTILADOR + VENTILADOR 15 HP
28	* 4405010478	FLANGE MOTOR DIANTEIRA PRETA 15 HP	35	* 56633R0475	MOTOR 7,5 HP 230/400V
29	* 4405010390	ROLAMIENTOS 7,5-10 HP	35	* 56634R0475	MOTOR 7,5 HP 230/400V
29	* 4405010391	ROLAMIENTOS 15 HP	35	* 56635R0475	MOTOR 10 HP 230/400V
30	* 4405010392	TAMPA LIGAÇÕES PRETA 15 HP	35	* 56637R0475	MOTOR 10 CV. 400/690V.
30	* 4405010393	TAMPA LIGAÇÕES PRETA 15 HP	35	* 56638R0475	MOTOR 15 HP 230/400V
30	* 4405010479	TAMPA LIGAÇÕES PRETA 7,5-10 HP	35	* 56639R0475	MOTOR 15 CV. 400/690V.
30	* 4405010480	TAMPA LIGAÇÕES PRETA 15 HP			

CODIGO 56633, 56634, 56635, 56637, 56638, 56639

DESCRIÇÃO: BOMBA KIVU 7,5-10-15 CV

OBSERVAÇÕES

POS	CODIGO	OBSERVAÇÕES
14	4405010366	PARA: 56633, 56634, 56635, 56637
14	4405010290	PARA: 56638, 56639
16	4405010291	PARA: 56633, 56634
16	4405010292	PARA: 56635, 56637
16	4405010293	PARA: 56638, 56639
17	4405010297	PARA: 56633, 56634, 56635, 56637
17	4405010298	PARA: 56638, 56639
18	4405010294	PARA: 56633, 56634 50 HZ
18	4405010690	PARA: 56633, 56634 60 HZ
18	4405010295	PARA: 56635, 56637 50 HZ
18	4405010691	PARA: 56635, 56637 60 HZ
18	4405010296	PARA: 56638, 56639 50 HZ
18	4405010692	PARA: 56638, 56639 60 HZ
20	4405010300	PARA: 56633, 56634
20	4405010329	PARA: 56635, 56637
20	4405010336	PARA: 56638, 56639
27	4405010387	PARA: 56633, 56634, 56635, 56637 MOTOR BONORA/CODE
27	4405020544	PARA: 56638, 56639 MOTOR BONORA/CODE
27	4405010474	PARA: 56633, 56634, 56635, 56637 MOTOR ASTRAL
27	4405010475	PARA: 56638, 56639 MOTOR ASTRAL
28	4405010388	PARA: 56633, 56634, 56635, 56637 MOTOR BONORA/CODE
28	4405010389	PARA: 56638, 56639 MOTOR BONORA/CODE
28	4405010476	PARA: 56633, 56634 MOTOR ASTRAL
28	4405010477	PARA: 56635, 56637 MOTOR ASTRAL
28	4405010478	PARA: 56638, 56639 MOTOR ASTRAL
29	4405010390	PARA: 56633, 56634, 56635, 56637
29	4405010391	PARA: 56638, 56639
30	4405010392	PARA: 56633, 56634, 56635, 56637 MOTOR BONORA/CODE
30	4405010393	PARA: 56638, 56639 MOTOR BONORA/CODE
30	4405010479	PARA: 56633, 56634, 56635, 56637 MOTOR ASTRAL
30	4405010480	PARA: 56638, 56639 MOTOR ASTRAL
31	4405010686	PARA: 56633, 56634, 56635, 56637 MOTOR BONORA/CODE
31	4405010685	PARA: 56638, 56639 MOTOR BONORA/CODE
31	4405010684	PARA: 56633, 56634, 56635, 56637 MOTOR ASTRAL
31	4405010687	PARA: 56638, 56639 MOTOR ASTRAL
32	4405010400	PARA: 56633, 56634 MOTOR BONORA/CODE
32	4405010407	PARA: 56635, 56637 MOTOR BONORA/CODE
32	4405010420	PARA: 56638, 56639 MOTOR BONORA/CODE
32	4405010688	PARA: 56633, 56634, 56635, 56637 MOTOR ASTRAL
32	4405010689	PARA: 56638, 56639 MOTOR ASTRAL
33	4405010394	PARA: 56633, 56634, 56635, 56637 MOTOR BONORA/CODE
33	4405010395	PARA: 56638, 56639 MOTOR BONORA/CODE

CODIGO 56633, 56634, 56635, 56637, 56638, 56639

DESCRIÇÃO: BOMBA KIVU 7,5-10-15 CV

33	4405010481	PARA: 56633, 56634, 56635, 56637 MOTOR ASTRAL
33	4405010482	PARA: 56638, 56639 MOTOR ASTRAL
34	4405010396	PARA: 56633, 56634, 56635, 56637 MOTOR BONORA/CODE
34	4405010397	PARA: 56638, 56639 MOTOR BONORA/CODE
34	4405010483	PARA: 56633, 56634, 56635, 56637 MOTOR ASTRAL
34	4405010484	PARA: 56638, 56639 MOTOR ASTRAL
35	56633R0475	PARA: 56633
35	56634R0475	PARA: 56634
35	56635R0475	PARA: 56635
35	56637R0475	PARA: 56637
35	56638R0475	PARA: 56638
35	56639R0475	PARA: 56639