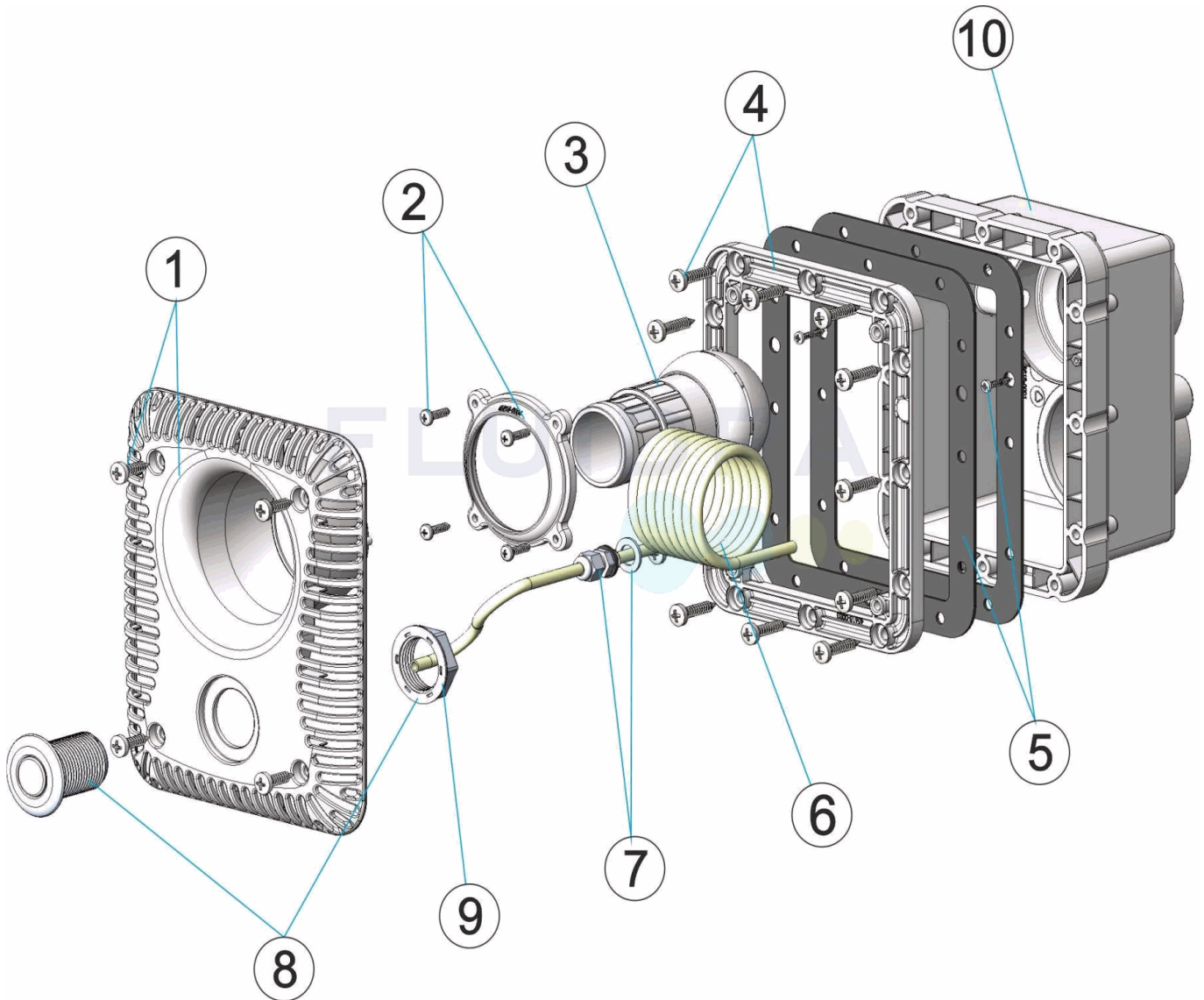


CODIGO **45618**

DESCRIPCION: **CONTRACORRIENTE CUADRADO**

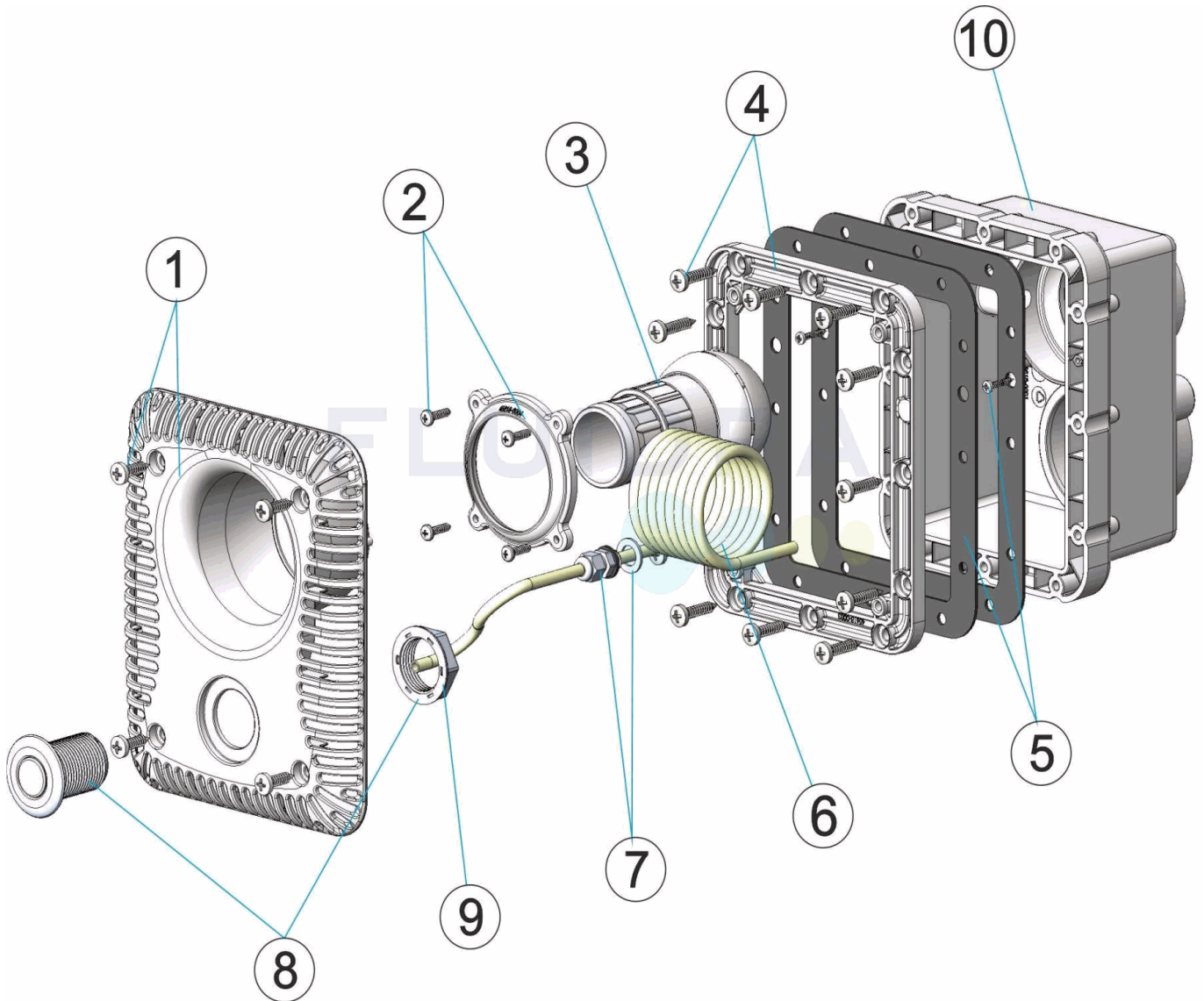


**ESPAÑOL**

POS	CODIGO	DESCRIPCION	POS	CODIGO	DESCRIPCION
1	4402050000	EMBELLECEDOR CUADRADO	6	4402050005	TUBO ULTRAVINILO 4X6X500
2	4402050001	TAPA PRESION BOLA	7	4402050006	PRENSAESTOPAS M-12X1,5
3	4402050002	BOQUILLA CONTRACORRIENTE	8	4402050007	CJTO. PULSADOR NEUMATICO
4	4402050003	BRIDA CONTRACORRIENTE CUADRADA	9	4402050008	TUERCA 1" BSP PULSADOR NEUMATICO
5	4402050004	JUNTA ADHESIVA SUMIDERO CUADRADO	10	45618R0001	NICHO CONTRACORRIENTE CUADRADO

CODE **45618**

DESCRIPTION: **ÉQUIPEMENT DE NAGE À CONTRE-COURANT**

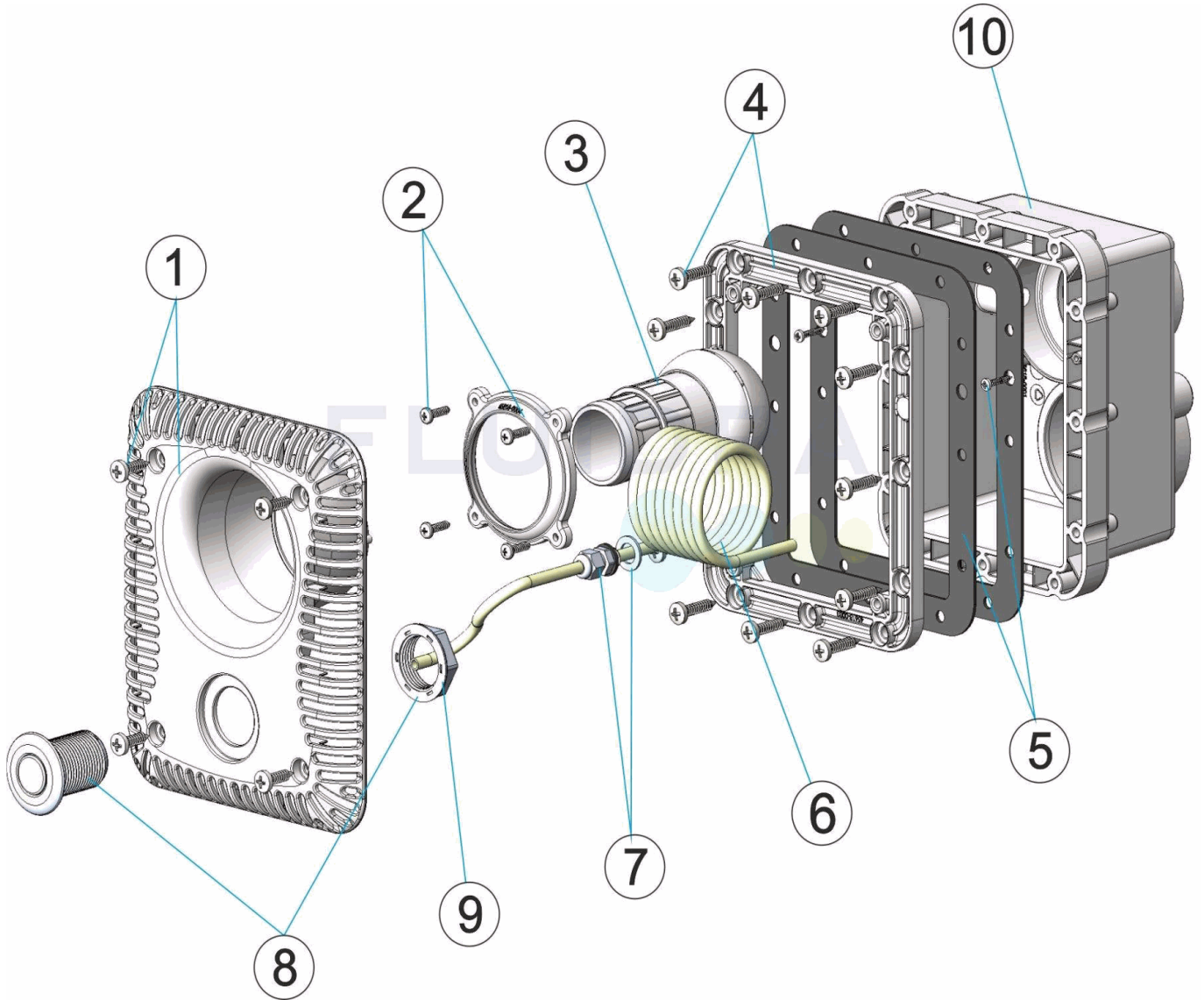


**FRANCAIS**

POS	CODE	DESCRIPTION	POS	CODE	DESCRIPTION
1	4402050000	ENJOLIVEUR CARRÉ	6	4402050005	TUYAU ULTRAVINYLE 4X6X500
2	4402050001	COUVERCLE PRESSION BALLE	7	4402050006	PASSE-CÂBLES M-12X1,5
3	4402050002	BUSE CONTRE-COURANT	8	4402050007	ENSEMBLE BOUTON-POUSOIR PNEUMATIQUE
4	4402050003	CADRE CONTRE-COURANT CARRÉE	9	4402050008	ÉCROU 1" BSP BOUTON-POUSOIR PNEUMATIQUE
5	4402050004	JOINT ADHÉSIF BUSE CARRÉE	10	45618R0001	NICHE CONTRE-COURANT CARRÉE

CODE **45618**

DESCRIPTION: **SQUARE COUNTERCURRENT**

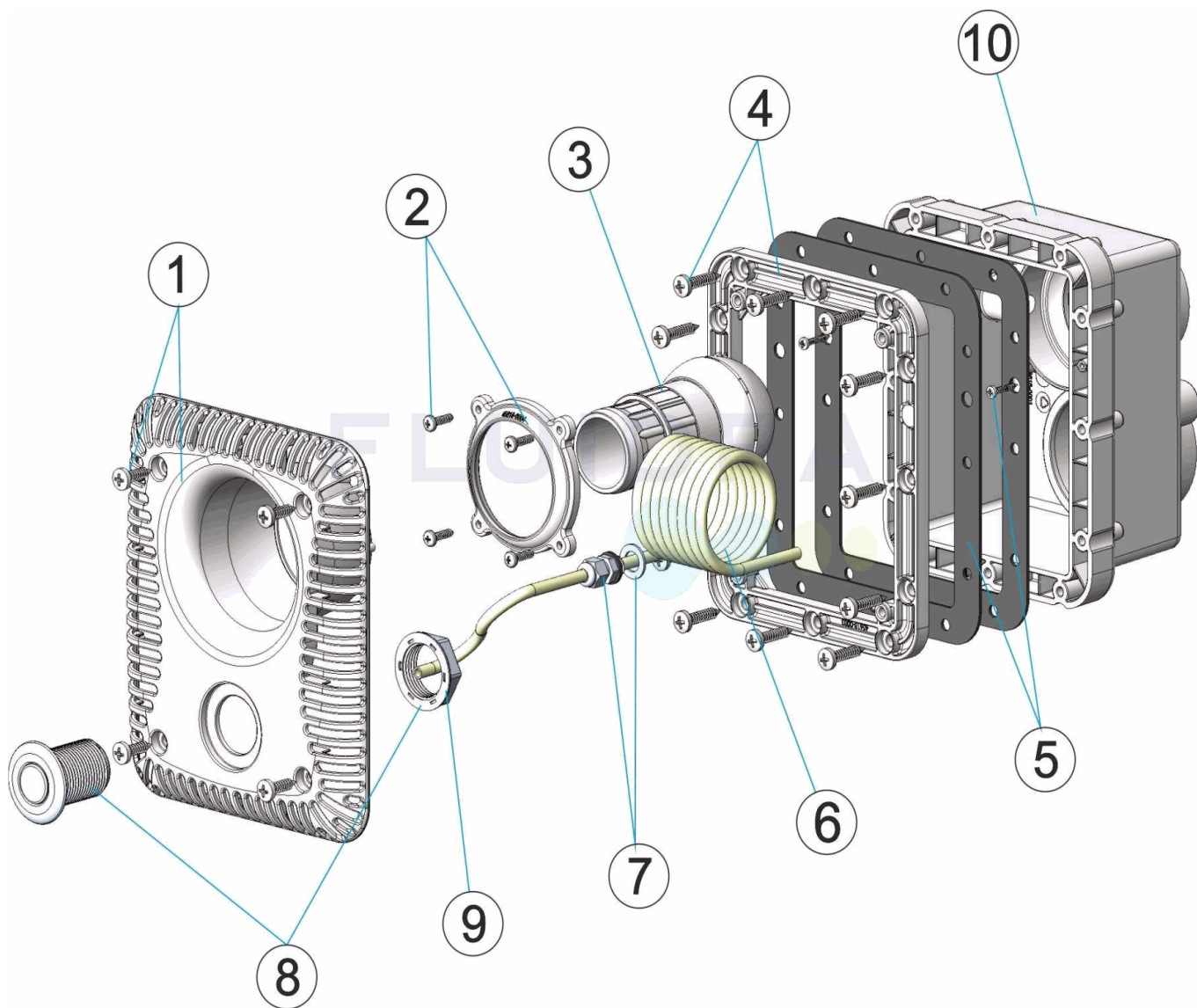


**ENGLISH**

POS	CODE	DESCRIPTION	POS	CODE	DESCRIPTION
1	4402050000	SQUARE TRIM	6	4402050005	4X6X500 ULTRA VINYL TUBING
2	4402050001	PRESSURE CAP BALL	7	4402050006	CABLE GLAND M-12X1,5
3	4402050002	COUNTERCURRENT NOZZLE	8	4402050007	PNEUMATIC SWITCH UNIT
4	4402050003	SQUARE COUNTERCURRENT FLANGE	9	4402050008	1" BSP PNEUMATIC SWITCH NUT
5	4402050004	SQUARE ADHESIVE DRAIN SEAL	10	45618R0001	SQUARE COUNTERCURRENT NICHE

CODICE **45618**

DESCRIZIONE: **CONTROCORRENTE QUADRATO**



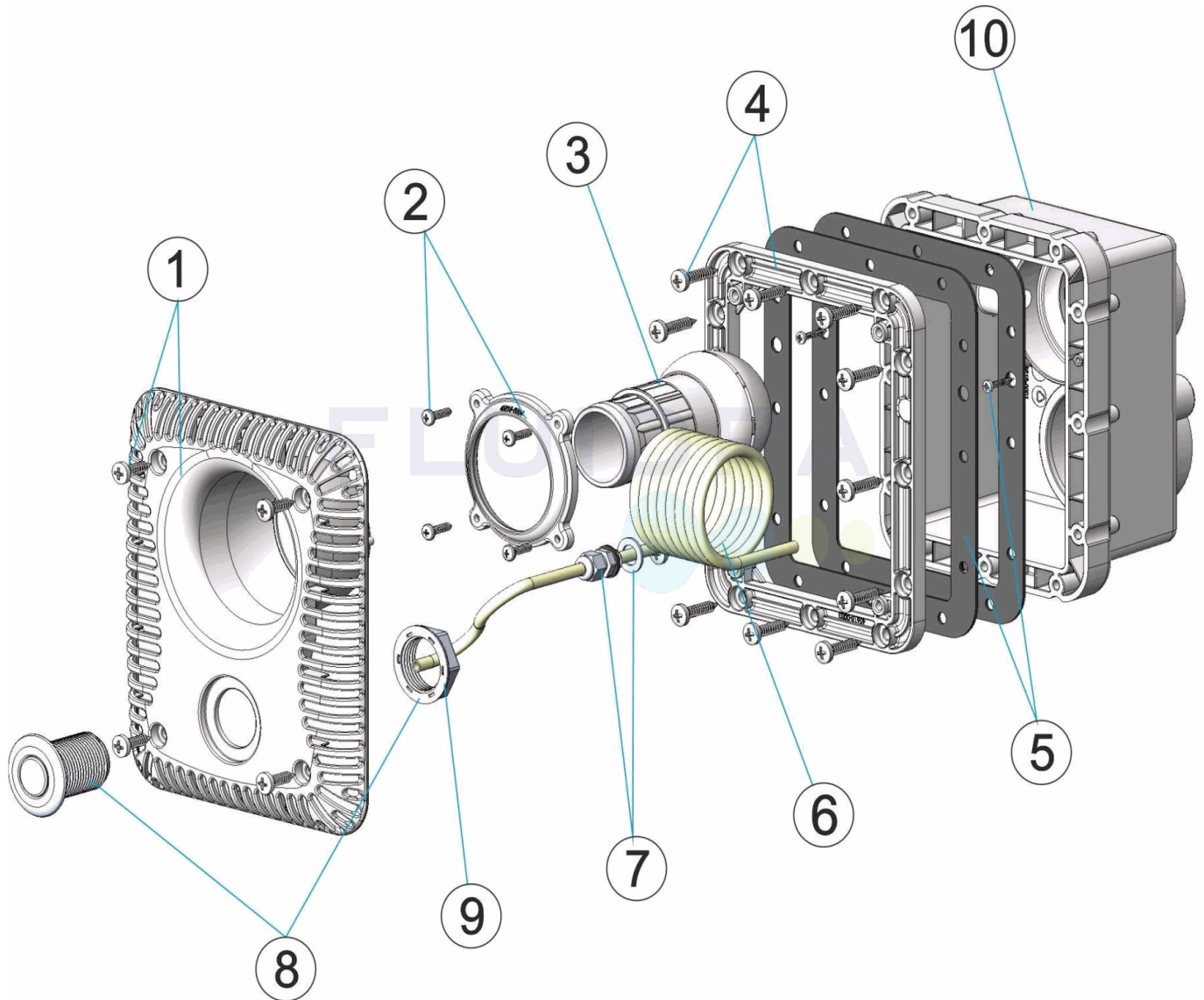
**ITALIANO**

POS	CODICE	DESCRIZIONE	POS	CODICE	DESCRIZIONE
1	4402050000	COPERTURA DECORATIVA QUADRATA	6	4402050005	TUBO ULTRAVINILE 4X6X500
2	4402050001	COPERCHIO PRESSIONE SFERA	7	4402050006	PASSACAVI M-12X1,5
3	4402050002	BOCCHETTA CONTROCORRENTE	8	4402050007	CONGIUNTO PULSANTE PNEUMATICO
4	4402050003	BRIGLIA CONTROCORRENTE QUADRATA	9	4402050008	DADO 1" BSP PULSANTE PNEUMATICO
5	4402050004	GIUNTURA ADESIVA SCOLATOIO QUADRATO	10	45618R0001	NICCHIA CONTROCORRENTE QUADRATA



CODE 45618

BESCHREIBUNG: GEGENSTROM QUADRATISCH

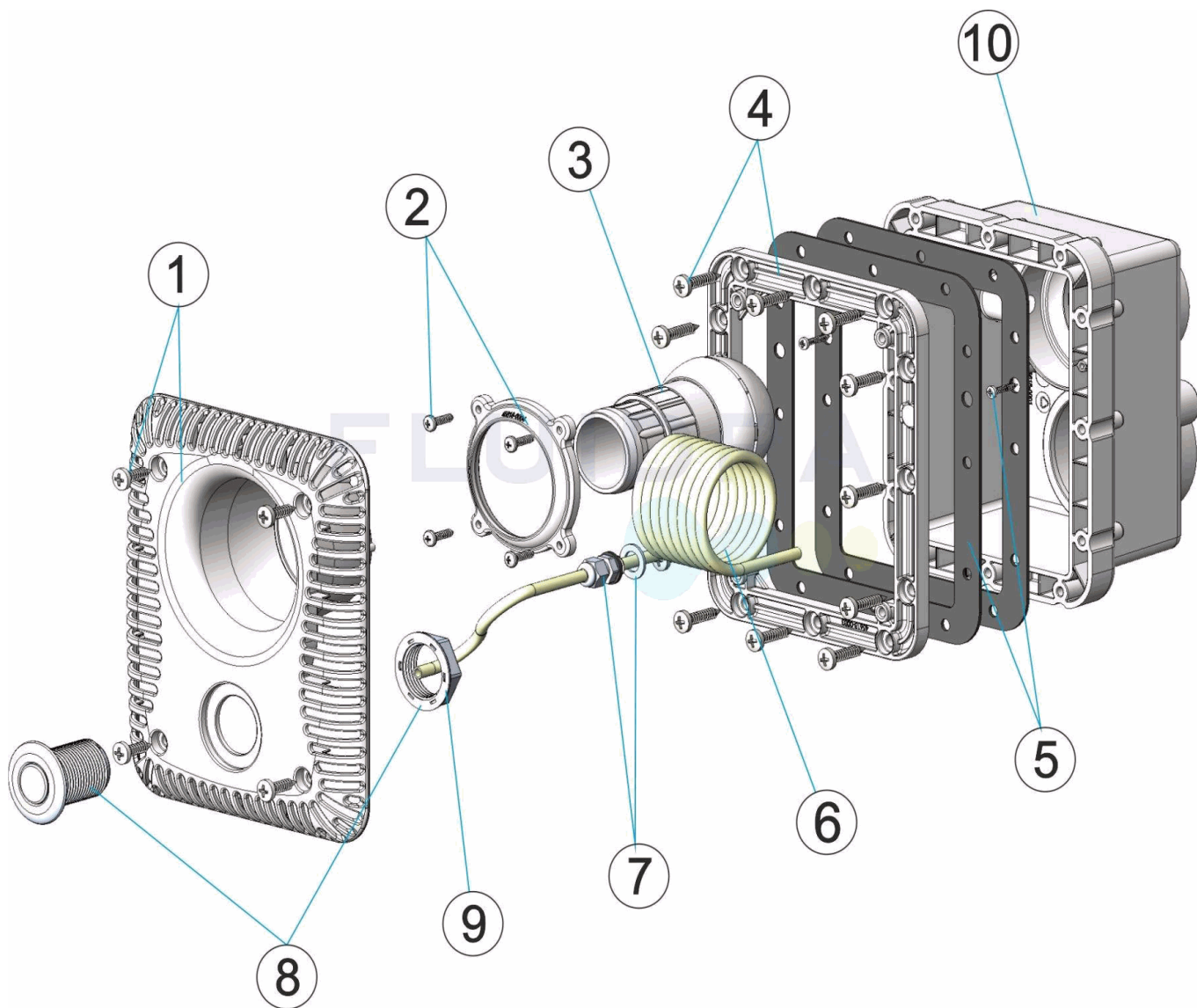


DEUTSCH

POS	CODE	BESCHREIBUNG	POS	CODE	BESCHREIBUNG
1	4402050000	QUADRATISCHE ZIERKAPPE	6	4402050005	ROHR ULTRAVYNIL 4X6X500
2	4402050001	DECKEL DRUCK KUGEL	7	4402050006	KABELDUCHFÜHRUNG M-12X1,5
3	4402050002	GEGENSTROMDÜSE	8	4402050007	SET PNEUMATISCHER KNOPF
4	4402050003	LASCHE GEGENSTROM QUADRATISCH	9	4402050008	SCHRAUBENMUTTER 1" BSP PNEUMATISCHER D
5	4402050004	KLEBEDICHTUNG QUADRATISCHER ABFLUSS	10	45618R0001	NISCHE GEGENSTROM QUADRATISCH

CODIGO **45618**

DESCRIÇÃO: **CONTRA-CORRENTE QUADRADO**



**PORTUGUES**

POS	CODIGO	DESCRIÇÃO	POS	CODIGO	DESCRIÇÃO
1	4402050000	PLACA DECORATIVA QUADRADA	6	4402050005	TUBO ULTRAVINIL 4 X 6 X 500
2	4402050001	TAMPA PRESSÃO BOLA	7	4402050006	PASSA-CABOS M-12X1,5
3	4402050002	BOQUILHA CONTRA-CORRENTE	8	4402050007	CJTO. BOTÃO PNEUMÁTICO
4	4402050003	REBORDO CONTRA-CORRENTE QUADRADO	9	4402050008	PORCA 1" BSL BOTÃO PNEUMÁTICO
5	4402050004	JUNTA ADESIVA ESGOTO QUADRADO	10	45618R0001	NICHO CONTRA-CORRENTE QUADRADO