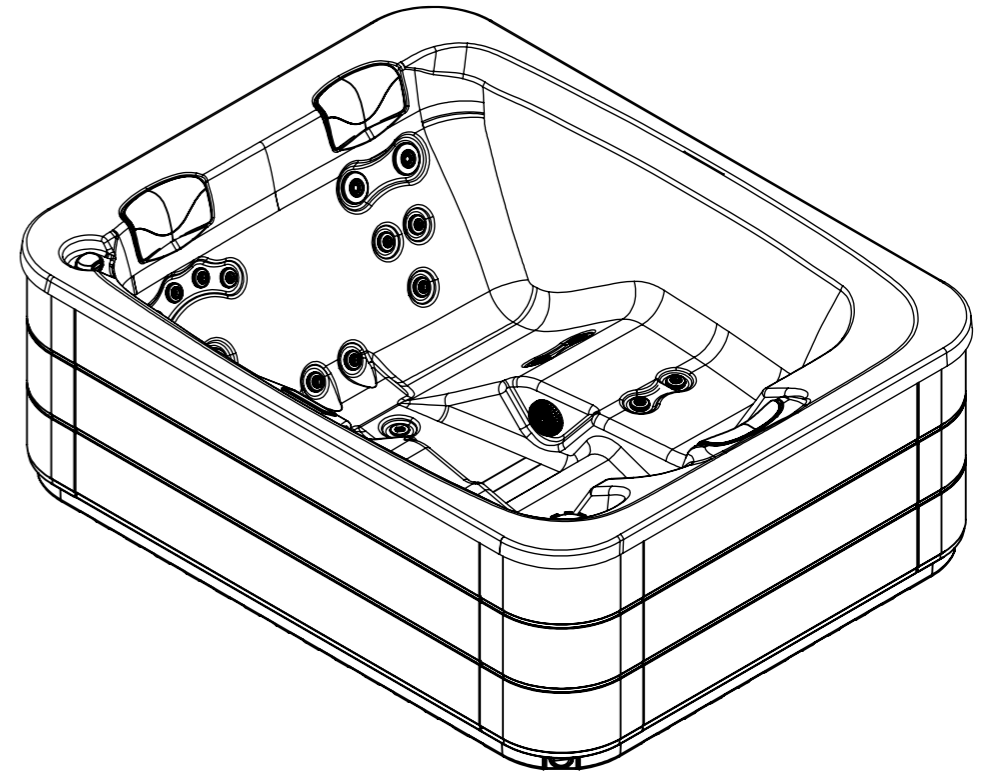
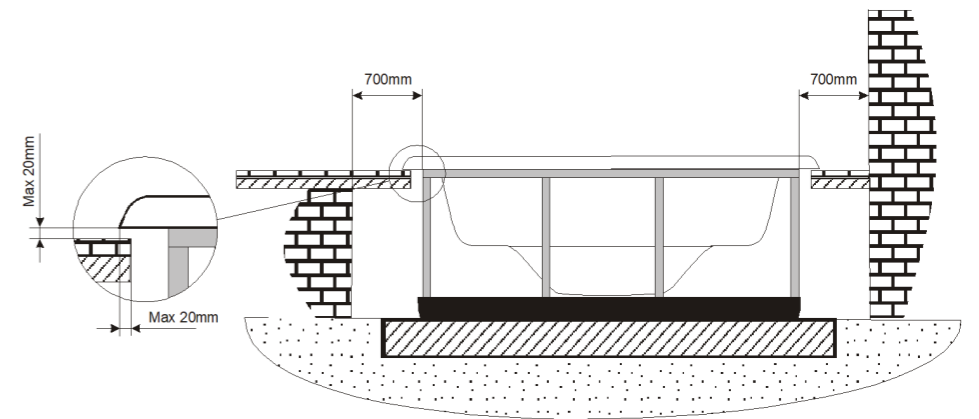



ELECTRICAL BOARD CONNECTIONS ACCESS



**WARNING:**  
It's essential to keep a minimum clearance access of **700mm** all around.



According to our policy of continuous improvement, dimensions, features or components of this product can be partially or completely changed without prior notice.  
It's Customer responsibility to verify that this is the last version of the drawing

Change No.	Date	Name	Modification
Remarks			COMMERCIAL
Dimensions in mm. General Tolerances +/- 10mm			
Drawn	21/01/2020	A.Miquel	
Checked	21/01/2020	X.Codina	
Scale 1:15	General Tolerance DIN 7168 ISO 2768g		
Sheet 1/2			
			73076
			Rev. 00
			First Angle Projection